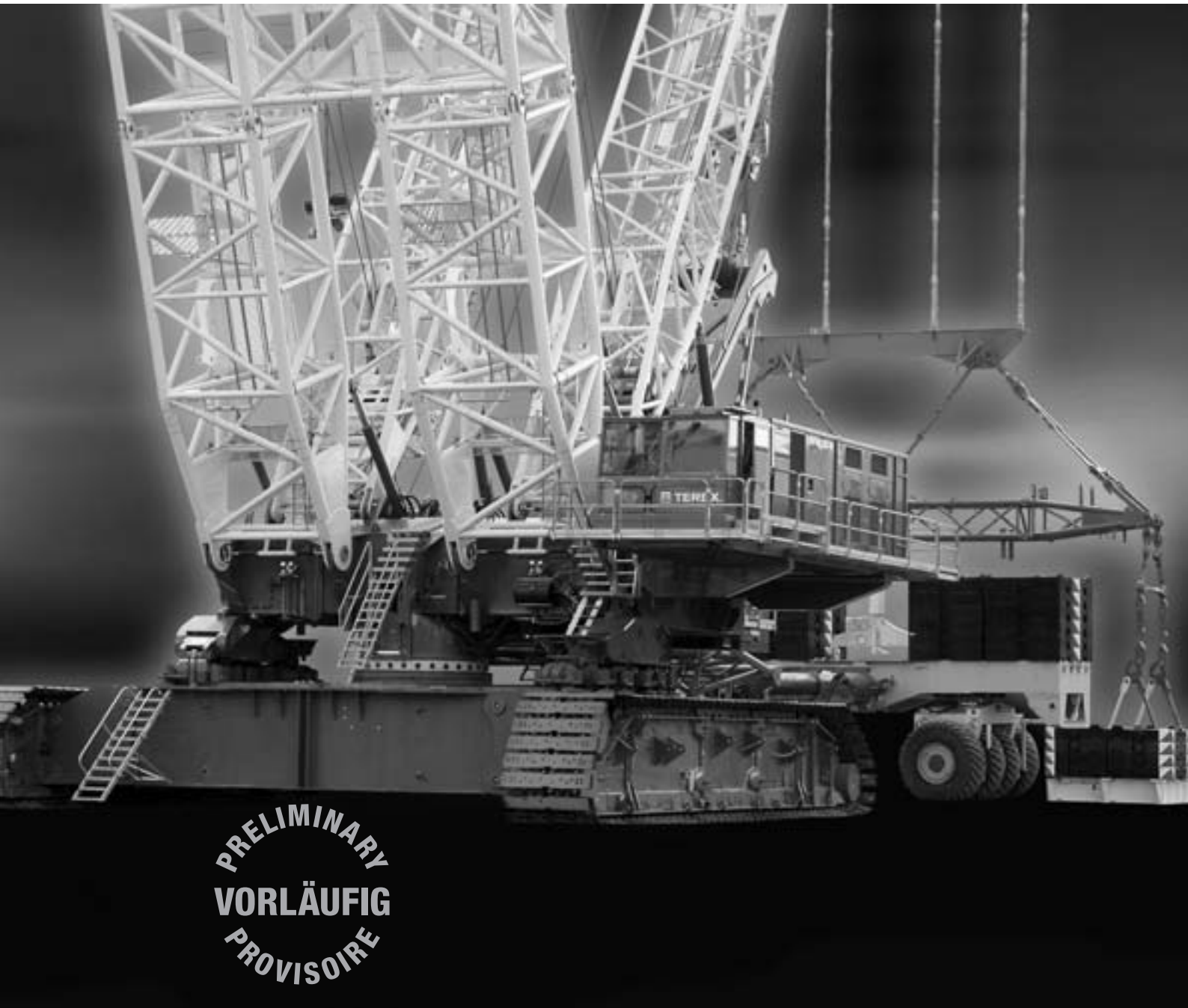




DEMAG CC8800-1TWIN | Crawler Crane 3200 t Lifting Capacity



PRELIMINARY
VORLÄUFIG
PROVISOIRE

DEMAG CC8800-1TWIN
CRAWLER CRANE

SPECIFICATIONS

FEATURES

- ▶ Max. capacity 3200 t
- ▶ Max. load moment 43900 tm (18 m radius)
- ▶ Traveling on crawlers with full load
- ▶ Max. lifting capacity (1865 t) of SSL 114 m boom is 332 % of CC 8800-1 SSL 114 m (562 t)
- ▶ Max. lifting capacity (1704 t) of SFVL 111 m + 15 m boom is 367 % of CC 8800-1 SFVL 108 m + 12 m (464 t)
- ▶ Max. transport width of components 3.5 m, weight 60 t

COMPONENTS


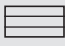







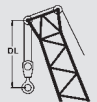
The CC 8800-1 Twin consists of a standard machine with counterweight carrier plus the following main components:

- ▶ Second boom and Superlift mast including bending resistant cross connectors to first boom
- ▶ Second hook block system with tie-bar to first hook block
- ▶ Cross-bridge connecting both main booms and Superlift masts
- ▶ Two winch frames between cross-bridge and rear end of upper structure
- ▶ Additional winches
- ▶ Adapter connecting cross-bridge with original slew ring
- ▶ Four crossbeams connecting original car body with crawlers
- ▶ Track roller system supporting the cross-bridge on the crossbeams
- ▶ Two crawler extensions and additional drive gears
- ▶ Counterweight suspension system
- ▶ Excellent control system with synchronization of all winches

SPECIFICATIONS
HOOK BLOCK SYSTEM

Type	Possible load	Number of sheaves	Number of lines	Weight	„DL“
4 x 800	3200 t	4 x 13	4 x 26	94 000 kg	8,50 m
	1600 t	4 x 7	4 x 12	74 000 kg	8,90 m
4 x 675	2700 t	4 x 10	4 x 21	82 600 kg	8,00 m
	1350 t	4 x 5	4 x 11	64 600 kg	8,40 m
100	100 t	1 x 1	1 x 3	3 700 kg – 7 700 kg	4,50 m

KEY

	Track	S:	Heavy
	Counterweight	H:	Main boom
	Superlift counterweight	W:	Luffing fly jib
	Superlift radius	F:	Fixed fly jib
	Load radius	SL:	Superlift
	Main boom		
	Fly jib		
	Main boom angle		
	Fly jib angle		
„DL“			

NOTES TO LIFTING CAPACITY

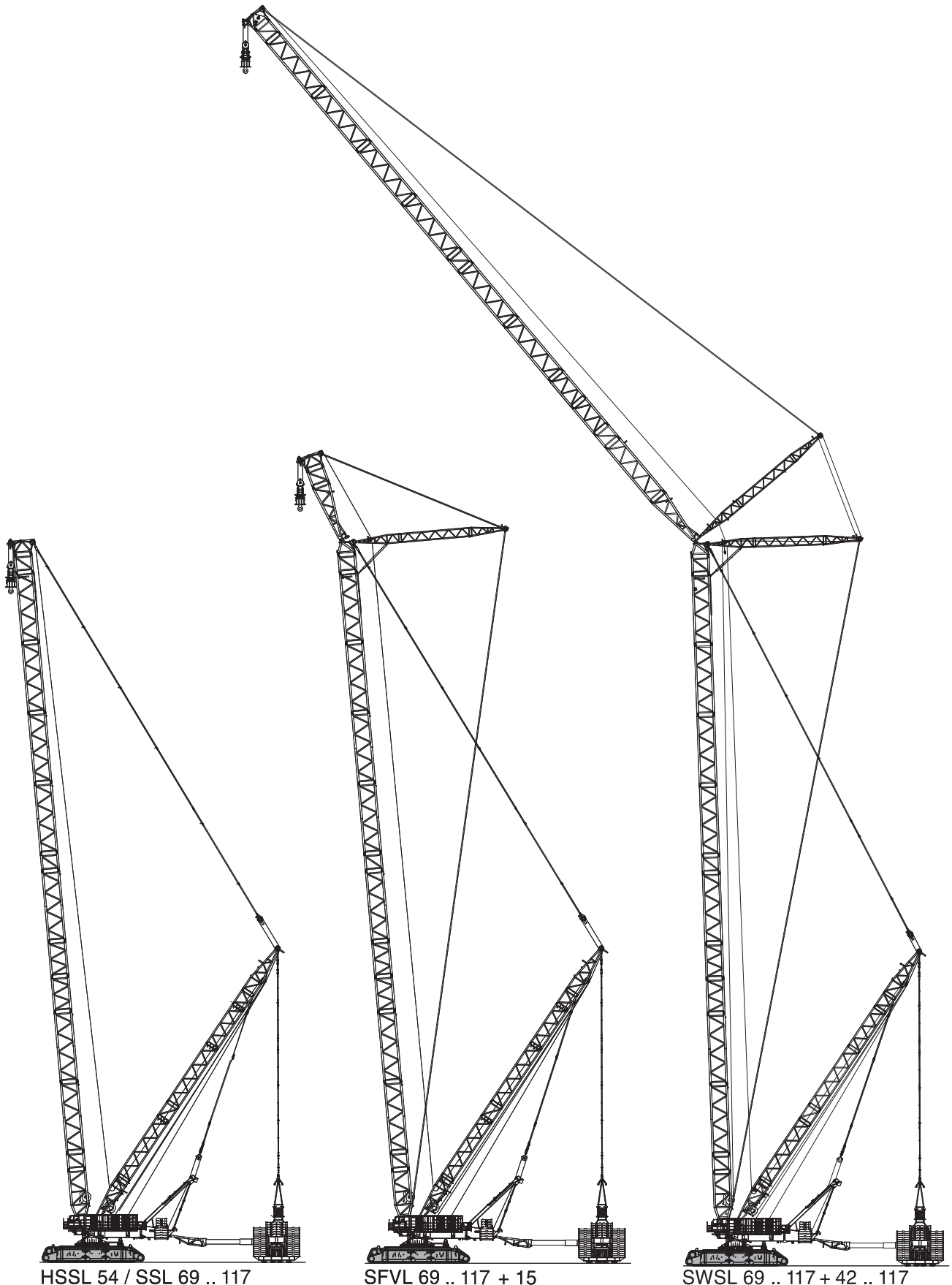
Ratings are in compliance with ISO 4305 and DIN 15019.2 (test load = 1.25 x suspended load + 0.1 x dead weight of boom head).
 Weight of hook blocks and slings is part of the load, and is to be deducted from the capacity ratings.

Consult operation manual for further details.

Note: Data published herein is intended as a guide only and shall not be construed to warrant applicability for lifting purposes.
 Crane operation is subject to the computer charts and operation manual both supplied with the crane.

In some instances the superlift counterweight does not lift off the ground with the indicated load.

BOOM COMBINATIONS

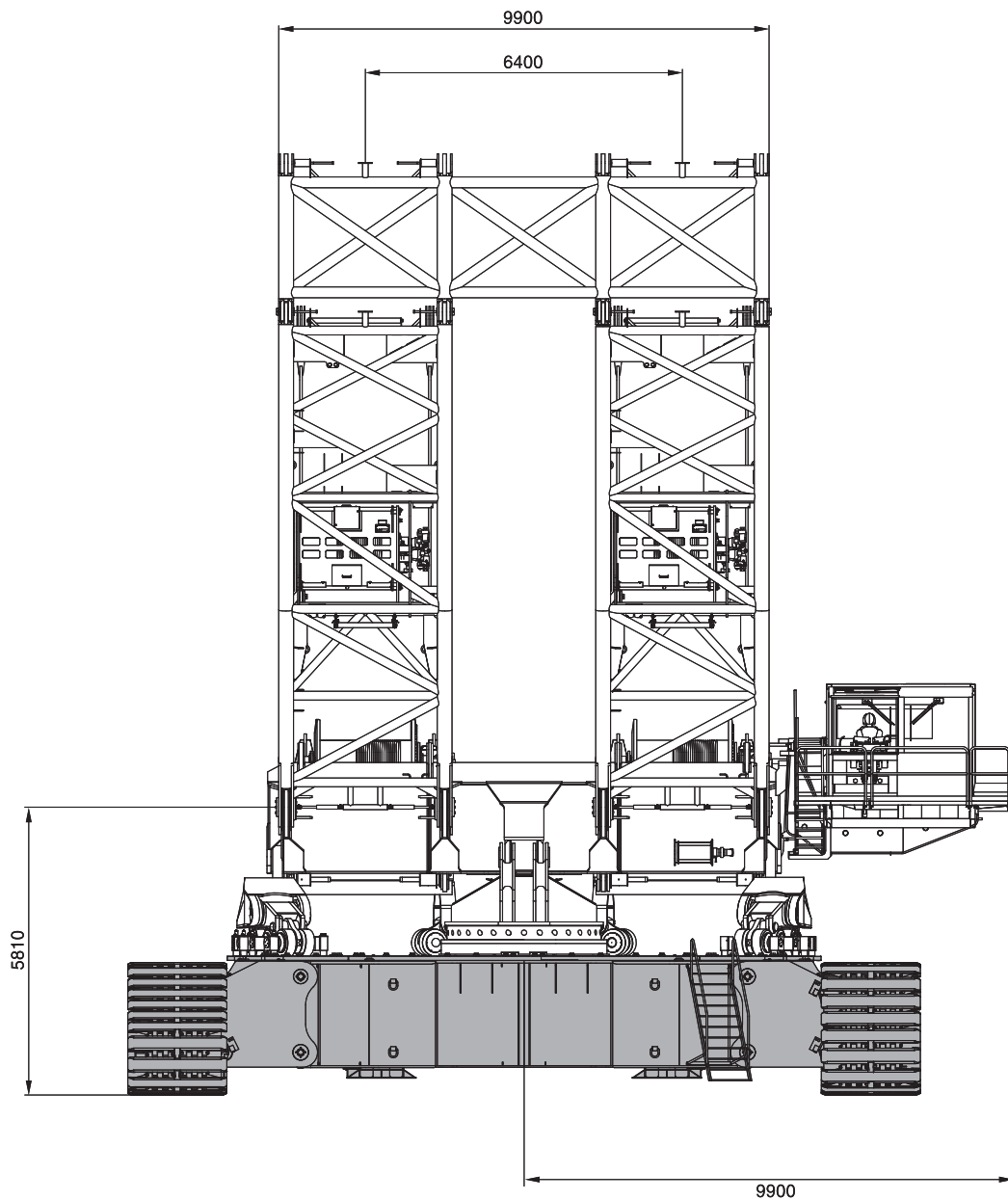
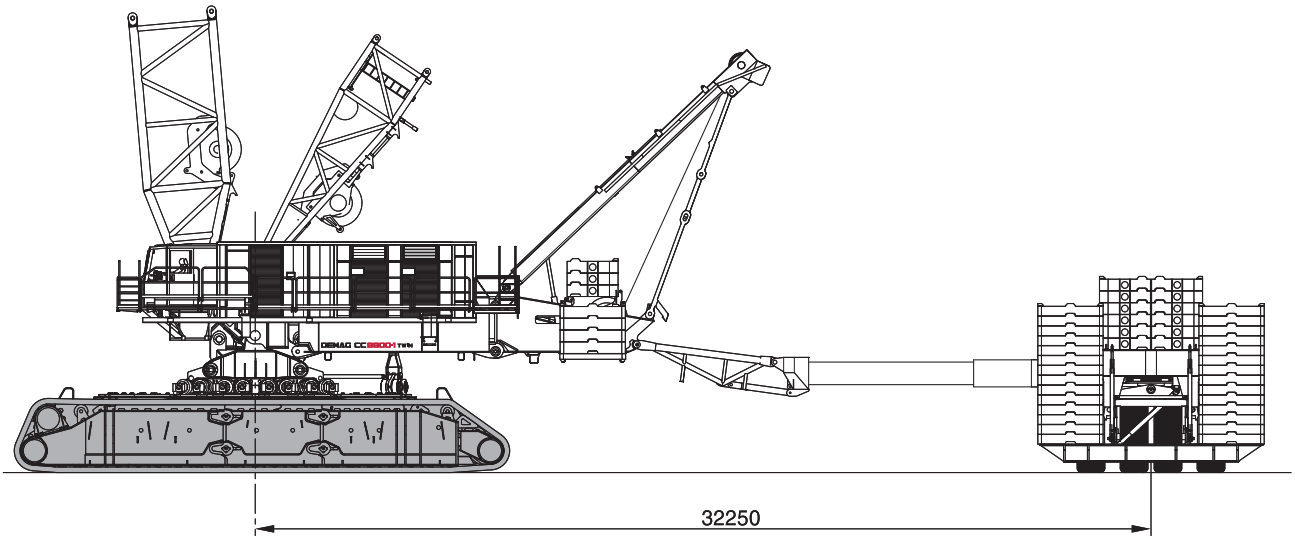


HSSL 54 / SSL 69 .. 117

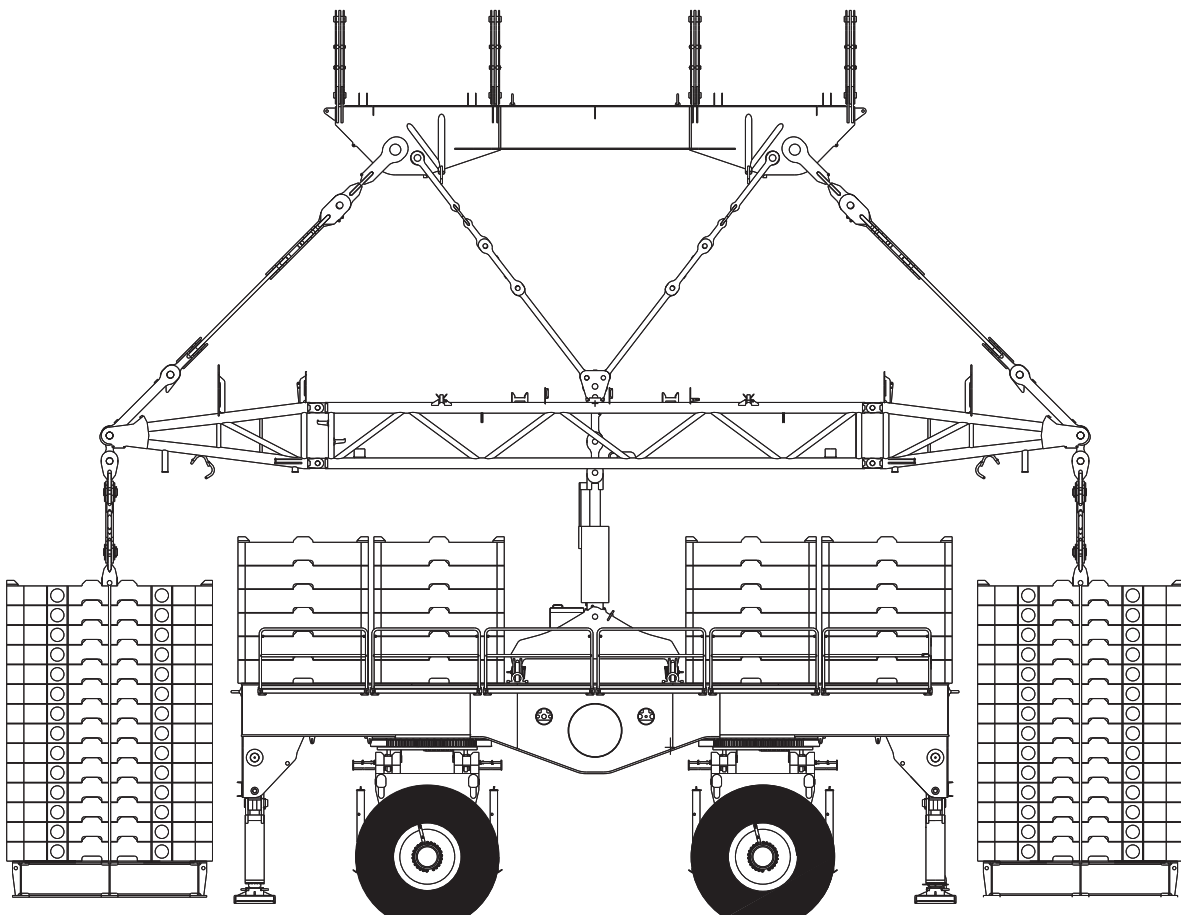
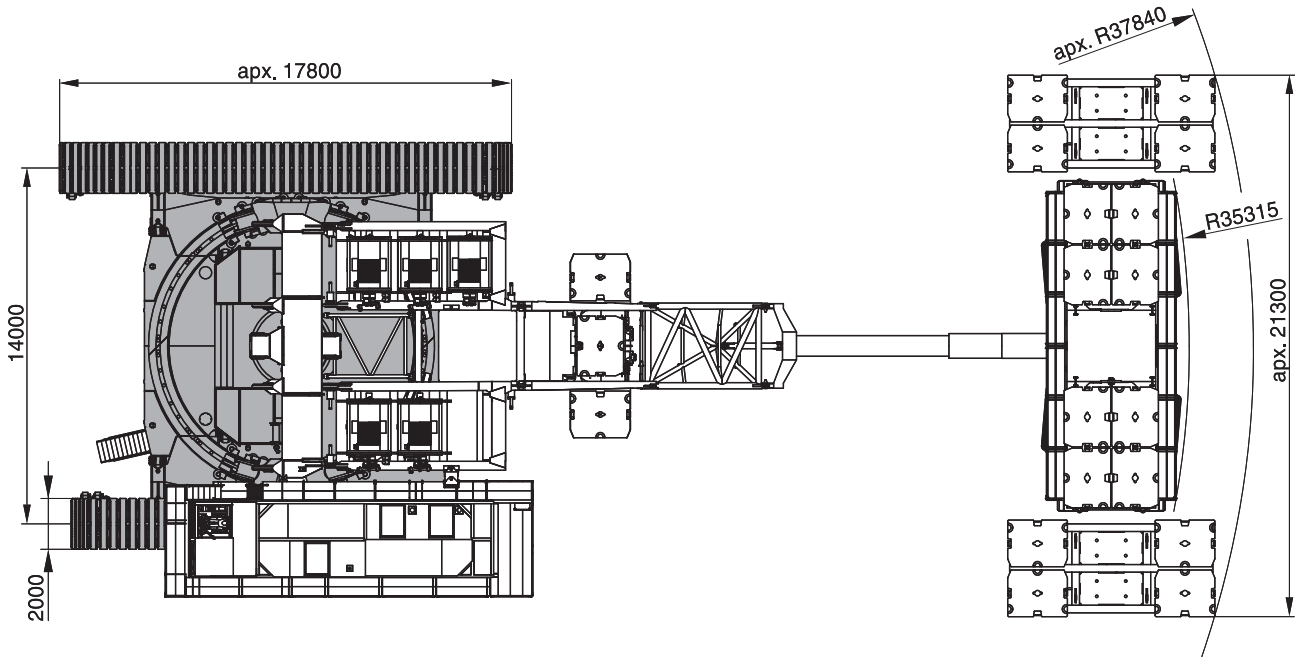
SFVL 69 .. 117 + 15

SWSL 69 .. 117 + 42 .. 117

SPECIFICATIONS



SPECIFICATIONS



LIFTING CAPACITIES








SSL

m	Lifting Capacity (t)										m
	54 m*	69 m	75 m	81 m	87 m	93 m	99 m	105 m	111 m	117 m	
9	3200,0	-	-	-	-	-	-	-	-	-	9
10	3200,0	2700,0	-	-	-	-	-	-	-	-	10
11	3200,0	2700,0	2695,0	-	-	-	-	-	-	-	11
12	3200,0	2698,0	2645,0	2613,0	2541,0	2459,0	-	-	-	-	12
13	3168,5	2656,5	2599,5	2569,5	2500,0	2425,0	2328,0	-	-	-	13
14	3137,0	2615,0	2554,0	2526,0	2459,0	2392,0	2301,0	2110,0	1988,0	-	14
15	2924,5	2568,0	2519,0	2489,5	2418,5	2359,0	2273,0	2110,0	1988,0	1865,0	15
16	2712,0	2521,0	2484,0	2453,0	2378,0	2326,0	2245,0	2110,0	1988,0	1865,0	16
18	2385,0	2323,0	2315,0	2307,0	2265,0	2208,0	2156,0	2104,0	1988,0	1865,0	18
20	2125,0	2070,0	2062,0	2053,0	2048,0	2031,0	1985,0	1939,0	1895,0	1851,0	20
22	1915,0	1863,0	1855,0	1847,0	1842,0	1834,0	1834,0	1796,0	1757,0	1717,0	22
24	1740,0	1692,0	1684,0	1676,0	1671,0	1663,0	1663,0	1656,0	1636,0	1599,0	24
26	1593,0	1548,0	1540,0	1532,0	1527,0	1519,0	1519,0	1512,0	1505,0	1495,0	26
28	1468,0	1425,0	1417,0	1409,0	1404,0	1396,0	1395,0	1389,0	1382,0	1378,0	28
30	1359,0	1319,0	1311,0	1303,0	1297,0	1290,0	1289,0	1283,0	1276,0	1272,0	30
34	1182,0	1145,0	1137,0	1129,0	1123,0	1115,0	1115,0	1109,0	1102,0	1098,0	34
38	993,0	1009,0	1001,0	992,0	987,0	979,0	978,0	972,0	965,0	961,0	38
42	840,0	899,0	891,0	882,0	877,0	869,0	868,0	861,0	854,0	850,0	42
46	732,0	810,0	801,0	792,0	786,0	778,0	777,0	771,0	764,0	759,0	46
50	-	735,0	726,0	717,0	711,0	702,0	701,0	695,0	688,0	683,0	50
54	-	672,0	662,0	653,0	647,0	638,0	637,0	630,0	623,0	619,0	54
58	-	618,0	608,0	599,0	592,0	583,0	582,0	575,0	568,0	563,0	58
62	-	-	562,0	552,0	545,0	536,0	534,0	527,0	520,0	515,0	62
66	-	-	522,0	511,0	504,0	494,0	492,0	485,0	478,0	473,0	66
70	-	-	-	476,0	468,0	458,0	455,0	448,0	441,0	436,0	70
74	-	-	-	-	436,0	426,0	423,0	415,0	408,0	403,0	74
78	-	-	-	-	-	398,0	394,0	386,0	379,0	373,0	78
82	-	-	-	-	-	373,0	368,0	360,0	353,0	347,0	82
86	-	-	-	-	-	-	345,0	337,0	329,0	323,0	86
90	-	-	-	-	-	-	-	316,0	308,0	301,0	90
94	-	-	-	-	-	-	-	-	289,0	281,0	94
98	-	-	-	-	-	-	-	-	271,0	263,0	98
102	-	-	-	-	-	-	-	-	-	246,0	102

SFVL

m	Lifting Capacity (t)										m
	69 m	75 m	81 m	87 m	93 m	99 m	105 m	111 m	117 m		
16	1917,0	-	-	-	-	-	-	-	-	-	16
17	1874,0	1911,0	1919,0	-	-	-	-	-	-	-	17
18	1830,0	1867,0	1879,0	1886,0	-	-	-	-	-	-	18
19	1788,5	1824,0	1841,5	1847,0	1874,0	1887,0	-	-	-	-	19
20	1747,0	1781,0	1804,0	1807,0	1836,0	1819,0	1776,0	1704,0	-	-	20
21	1707,5	1744,5	1770,0	1767,5	1778,5	1751,0	1710,5	1671,0	1508,0	-	21
22	1668,0	1708,0	1736,0	1728,0	1721,0	1683,0	1645,0	1609,0	1480,0	-	22
24	1596,0	1633,0	1638,0	1629,0	1599,0	1564,0	1529,0	1497,0	1424,0	-	24
26	1508,0	1499,0	1490,0	1481,0	1471,0	1459,0	1427,0	1397,0	1365,0	-	26
28	1382,0	1373,0	1363,0	1354,0	1345,0	1337,0	1327,0	1308,0	1278,0	-	28
30	1273,0	1264,0	1254,0	1245,0	1235,0	1227,0	1218,0	1210,0	1200,0	-	30
34	1095,0	1085,0	1076,0	1066,0	1056,0	1048,0	1038,0	1030,0	1020,0	-	34
38	955,0	945,0	935,0	926,0	916,0	907,0	898,0	889,0	879,0	-	38
44	796,0	786,0	775,7	766,5	755,5	747,5	737,5	728,5	718,0	-	44
50	672,0	662,0	652,0	642,0	631,0	623,0	613,0	604,0	593,0	-	50
56	579,0	568,0	558,0	548,0	537,0	528,5	518,0	509,0	498,5	-	56
62	503,0	492,0	481,0	471,0	460,0	451,0	441,0	431,0	418,0	-	62
68	443,0	431,5	420,5	409,5	397,7	388,0	376,0	365,0	352,0	-	68
74	392,0	381,0	369,0	357,0	343,0	333,0	320,0	309,0	296,0	-	74
80	-	-	325,5	312,5	298,3	287,0	274,5	263,0	250,0	-	80
86	-	-	289,0	275,0	260,0	248,0	235,0	224,0	210,0	-	86
92	-	-	-	-	228,5	216,5	203,0	191,0	177,5	-	92
98	-	-	-	-	-	189,0	175,0	163,0	-	-	98
104	-	-	-	-	-	-	152,0	-	-	-	104
110	-	-	-	-	-	-	-	-	-	-	110

Remarks
 * HSSL 54 m: special requirements apply · In some instances 6 hoist winches are necessary for the hook blocks to reach the ground

Effective Date: September 2007.

Product specifications and prices are subject to change without notice or obligation. The photographs and /or drawings in this document are for illustrative purposes only. Refer to the appropriate Operator's Manual for instructions on the proper use of this equipment. Failure to follow the appropriate Operator's Manual when using our equipment or to otherwise act irresponsibly may result in serious injury or death. The only warranty applicable to our equipment is the standard written warranty applicable to the particular product and sale and Terex makes no other warranty, express or implied.

Products and services listed may be trademarks, service marks or trade-names of Terex Corporation and /or its subsidiaries in the USA and other countries and all rights are reserved.

„TEREX“ is a registered trademark of Terex Corporation in the USA and many other countries.

Copyright © 2007 Terex Corporation.