

320D LRR

Hydraulic Excavator



Cat® C6.4 Engine with ACERT™ Technology

Net Power (ISO 9249) at 1800 rpm	103 kW/140 hp
Operating Weight	23 500 to 24 200 kg
Maximum Travel Speed	5.5 km/h
Maximum Reach at Ground Level	9830 mm
Maximum Digging Depth	6690 mm
Tail Swing Radius	2000 mm

320D LRR Hydraulic Excavator

The D Series incorporates innovations for improved performance and versatility.

Reduced Radius

The 320D LRR features a reduced tail swing design that allows it to work well in space restricted areas, while providing maximum comfort. **pg. 4**

C6.4 Engine with ACERT™ Technology

✓ ACERT™ Technology works at the point of combustion to optimize engine performance and provide low exhaust emissions to meet EU Stage IIIA emission regulations, with exceptional performance capabilities and proven reliability. **pg. 5**

Operator Comfort

✓ Provides maximum space, wider visibility and easy access to switches. The monitor is a full-color graphical display that allows the operator to understand the machine information easily. Overall, the new cab provides a comfortable environment for the operator. **pg. 6**

Hydraulics

The hydraulic system has been designed to provide reliability and outstanding controllability. **pg. 8**

Structures

Caterpillar® design and manufacturing techniques assure outstanding durability and service life from these important components. **pg. 8**

The Caterpillar 320D LRR excavator provide all the elements to give you the lowest cost to own and operate. At the end of the day, it all comes down to how much work you got done and how much did it cost you. Caterpillar and the 320D LRR offer you the tools to help lower your owning and operating costs.

✓ *New Feature*



Versatility – Electronic Control Systems

Caterpillar offers a wide variety of factory-installed attachments that enhance performance and job site management. **pg. 7**

Boom, Sticks and Linkage

One boom and two reach sticks are available to suit a variety of application conditions. **pg. 10**

Work Tools

Caterpillar buckets, multi-processors, sorting and demolition grapples, hammers and quick couplers provide a total solution package to the end-user. **pg. 11**

Service and Maintenance

- ✓ Fast, easy service has been designed in with extended service intervals, advanced filtration, convenient filter access and user-friendly electronic diagnostics for increased productivity and reduced maintenance costs. **pg. 9**

Complete Customer Support

Your Cat® dealer offers a wide range of services that can be set up under a customer support agreement when you purchase your equipment. The dealer will help you choose a plan that can cover everything from machine configuration to eventual replacement. **pg. 9**



Reduced Radius

The Caterpillar 320D LRR is designed for high maneuverability in confined spaces.



Comfort. The cab of the 320D LRR is the same full-sized cab with all the amenities and attachments found on the cab of the 320D L.

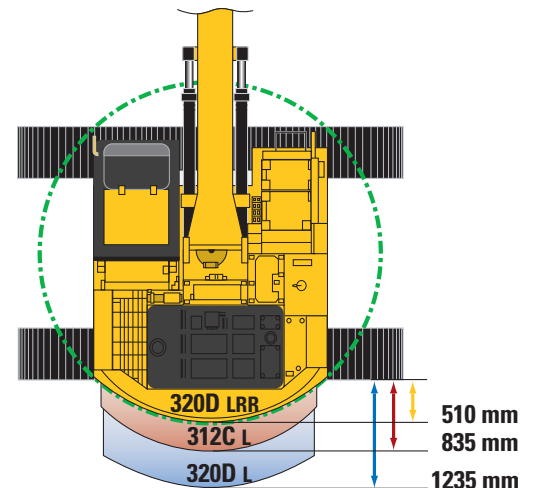
Reduced Radius. The tail swing of this machine has been reduced where the back end of the machine won't extend beyond the length of the tracks. The tail swing is just 2000 mm as compared to the 2750 mm on the 320D. When rotated 90 degrees and working over the side, just 600 mm hangs over the side. This allows the 320D LRR to work well in road construction applications and other space restricted areas.

Stability. The 320D LRR offers a very stable platform providing great stability for all applications. When compared to 320D L, the 320D LRR delivers 6% more lift over the side. One of the main contributors is the additional counterweight used on the 320D LRR. This allows for the balance of the machine to be comparable to a standard machine with a longer tail swing.

320D LRR versus 312C L and 320D L

Compare minimum front swing radius and tail swing radius:

	320D LRR	312C L	320D L
Tail swing radius (mm)	2000	2130	2750
Overhang (mm)			
with 600 mm shoes	510	835	1235
with 800 mm shoes	410	735	1110



Engine

The Cat® C6.4 gives the 320D LRR exceptional power and fuel efficiency unmatched in the industry for consistently high performance in all applications.



Cat C6.4 Engine. The Cat C6.4 with ACERT Technology introduces a series of evolutionary, incremental improvements that provide breakthrough engine technology. The building blocks of ACERT Technology are fuel delivery, air management and electronic control. ACERT Technology optimizes engine performance while meeting EU Stage IIIA emission regulations. With its proven technology, robust components and precision manufacturing, you can count on this engine to power up at start time and keep working productively all shift long.

Performance. The 320D LRR, equipped with the C6.4 engine with ACERT Technology, provides 7% more power as compared to the 3066 TA in the 320C LU. The additional power delivers a speed and efficiency advantage in high production applications.

Automatic Engine Speed Control.

The two-stage, one-touch control maximizes fuel efficiency and reduces sound levels.



ADEM™ A4 Engine Controller.

The ADEM A4 electronic control module manages fuel delivery to get the best performance per liter of fuel used. The engine management system provides flexible fuel mapping, allowing the engine to respond quickly to varying application needs. It tracks engine and machine conditions while keeping the engine operating at peak efficiency.

Electronic Control Module.

The Electronic Control Module (ECM) works as the “brain” of the engine’s control system, responding quickly to operating variables to maximize engine efficiency. Fully integrated with sensors in the engine’s fuel, air, coolant, and exhaust systems, the ECM stores and relays information on conditions such as rpm, fuel consumption, and diagnostic information.

Fuel Delivery. The Cat C6.4 features electronic controls that govern the fuel injection system. Multiple injection fuel delivery involves a high degree of precision. Precisely shaping the combustion cycle lowers combustion chamber temperatures, generating fewer emissions and optimizing fuel combustion. This translates into more work output for your fuel cost.

Cooling System. The cooling fan is directly driven from the engine. An electrically controlled viscous clutch fan is available as an attachment to reduce fan noise. The optimum fan speed is calculated based on the target engine speed, coolant temperature, hydraulic oil temperature and actual fan speed. When fan speed is reduced, there’s more power available for other functions – and less fuel is burned.

Operator Comfort

Caterpillar offers the most intuitive and easy to operate excavators while providing great all around visibility and exceptional operator comfort.



Operator Station. The layout of the interior has been redesigned to maximize operator comfort and reduce operator fatigue.

- Frequently used switches have been relocated for easier access.
- Consoles and armrests have been redesigned for better comfort and adjustability.
- More seat options – choose from the standard mechanical suspension seat, or the optional air suspension seat with heater. Both provide excellent comfort.

Standard Cab Equipment. To enhance operator comfort and productivity, the cab includes a lighter, drink holder, coat hook, service meter, literature holder, magazine rack and storage compartment.

Joystick Control. Joystick controls have low lever effort and are designed to match the operator's natural wrist and arm position.

Hydraulic Activation Control Lever.

For added safety, this lever must be in the operate position to activate the machine control functions.

Automatic Climate Control.

Fully automatic climate control adjusts temperature and flow, and determines which air outlet is best in each situation with a touch of a button.

Cab Exterior. The exterior design uses thick steel tubing along the bottom perimeter of the cab, improving the resistance of fatigue and vibration.

Cab Mounts. The cab shell is attached to the frame with viscous rubber cab mounts, which dampen vibrations and sound levels while enhancing operator comfort.

Windows. All glass is affixed directly to the cab for excellent visibility eliminating window frames.

Wipers. Pillar-mounted wipers increase the operator's viewing area and offer continuous and intermittent modes.

Skylight. An enlarged skylight with sunshade provides excellent visibility and ventilation.

Versatility – Electronic Control Systems

Manages the engine and hydraulics for maximum performance and safety.



Monitor. The monitor is a full color Liquid Crystal Display that gives you vital operating and performance information, alerts in text, all in a simple, east to navigate format.

Default Display. Three analog gauges, fuel level, hydraulic oil temperature and coolant temperature, are displayed in this area.

Main Menu. Four menu options to choose from:

- Settings – Adjust monitor settings, select work tool or choose video mode (when equipped with a camera).
- Maintenance – Displays service intervals and hours accumulated since last serviced.
- Performance – Displays machine performance attributes such as Engine Speed, Coolant and Hydraulic Oil Temperature.
- Service – Allows access to machine parameters for service intervals, diagnostic information and information related to the machines software.

Event Display. Machine information is displayed in this area with the icon and language.

Multi-information Display. This area is reserved for displaying various information which is convenient for the operator. The “CAT” logo is displayed when no information is available to be displayed.



Auxiliary Hydraulic Options. Allows you to configure your 320D LRR to meet your work tools needs, while increasing its versatility.

Tool Control System

- Stores pressure and flow information for up to 10 tools
- Cat tools selectable that have preset flows and pressures
- Shortcut button on right hand console, making tool selection easier.

Product Link. The PL321 is available as factory installed attachment. It includes the following features:

- Engine hours
- Machine location
- Time based fences (when the machines can operate)
- Geo-based fences (boundaries that the machine can operate)
- Health Watch
 - Codes from on-board EDM’s/Sensors
 - Estimated Fuel Consumption
 - Fuel Watch
- Maintenance Watch
 - Preventative Maintenance Planning
 - Preventative Maintenance Checklists
 - Overdue PM Notification
 - PM History Recording

Machine Security. An optional Machine Security System is available from the factory on the 320D LRR. This system controls when the machine can be operated and utilizes specific keys to prevent unauthorized machine use, a significant theft deterrent.

More Attachments. The 320D LRR offers the most options available to equip your machine to best match your application and work environment requirements. From track shoe size to guarding packages to operator comfort options, the 320D LRR offers more options.

Hydraulics

Cat® hydraulics deliver power and precise control to keep material moving.



Component Layout. To optimize efficiency of hydraulic performance, the hydraulic components are located close together, which reduces friction loss and pressure drops in the lines.

System Pressure. System pressure has been increased to 350 bar, which attributes to improved performance:

- Increased stick and bucket forces (up 7% higher than the 320C LU) to better handle those tight digging conditions
- More drawbar pull (206 kN) to provide more ability to climb slopes, easier spot turns and improved travel in poor underfoot conditions

- More lift capacity, generally over the front where you are generally hydraulically limited

Pilot System. The pilot pump is independent from the main pumps and controls the front linkage, swing and travel operations.

Hydraulic Cross Sensing System. The hydraulic cross sensing system utilizes each of two hydraulic pumps to 100 percent of engine power, under all operating conditions. This improves productivity with faster implement speeds and quicker, stronger pivot turns.

Boom and Stick Regeneration Circuit. Boom and stick regeneration circuit saves energy during boom-down and stick-in operation which increases efficiency, reduces cycle times and pressure loss for higher productivity, lower operating costs and increased fuel efficiency.

Auxiliary Hydraulic Valve. The auxiliary valve is standard on the 320D LRR. Control Circuits are available as attachments, allowing for operation of high and medium pressure tools such as shears, grapples, hammers, pulverizers, multi-processors and vibratory plate compactors.

Hydraulic Cylinder Snubbers. Snubbers are located at the rod-end of the boom cylinders and both ends of the stick cylinder to cushion shocks while reducing sound levels and extending component life.

Structures

320D LRR is designed to handle the most rugged operating conditions, while providing long life and value.



Robust Undercarriage. A solid foundation built tough to absorb the stresses of everyday work.

- Rollers and idlers are sealed and lubricated to extend service life.
- Track links are assembled and sealed with grease to decrease internal bushing wear and increase life by as much as 25%, when compared to dry seal undercarriages.
- Spring recoil system stroke has been increased to better relieve excess track tension, which can occur when material builds up between the track and sprocket.

Rugged Structures. Structural components and the undercarriage are the backbone of the machine's durability. Caterpillar places a lot of emphasis on the machine's durability

during the designing and manufacturing of its excavators.

- Up to 95% of the structural welds are welded by robots, which achieve up to three times the penetration of a manual weld and improving overall durability of the machine.
- The 320D LRR's main frame utilizes high-tensile strength steel and a one-piece swing table, which improves strength and reliability.
- The carbody has a X-shaped, box section design to resist bending and twisting forces.
- Track roller frames are press-formed in a pentagonal shape for additional strength.

Service and Maintenance

Simplified service and maintenance save you time and money.



Extended Service Intervals. 320D LRR service and maintenance intervals have been extended to reduce machine service time and increase machine availability.

Air Filter Compartment. The air filter features a double-element construction for superior cleaning efficiency. When the air cleaner plugs, a warning is displayed on the monitor screen inside the cab.

Ground Level Service. The design and layout of the 320D was made with the service technician in mind. Many service locations are easily accessible at ground level allowing critical maintenance to get done quickly and efficiently.

Pump Compartment. A service door on the right side of the upper structure allows ground-level access to the pump and pilot filter.

Capsule Filter. The hydraulic return filter, a capsule filter, is situated outside the hydraulic tank. This filter prevents contaminants from entering the system when hydraulic oil is changed and keeps the operation clean.

Diagnostics and Monitoring. The 320D is equipped with S•O•SSM sampling ports and hydraulic test ports for the hydraulic system, engine oil, and for coolant.

A test connection for the Electronic Technician (ET) service tool is located behind the cab.

Anti-Skid Plate. Anti-skid plate covers top of storage box and upper structure to prevent slipping during maintenance.

Fan Guard. Engine radiator fan is completely enclosed by fine wire mesh, reducing the risk of an accident.

Greasing Points. A concentrated remote greasing block on the boom delivers grease to hard-to-reach locations on the front.

Radiator Compartment. The left rear service door allows easy access to the engine radiator, oil cooler and air-to-air aftercooler. Reserve tank and drain cock are attached to the radiator for simplified maintenance.

Complete Customer Support

Cat dealer services help you operate longer with lower costs.

Machine Selection. Make detailed comparisons of the machines you are considering before you buy. What are the job requirements, machine attachments and operating hours? What production is needed? Your Cat dealer can provide recommendations.

Purchase. Consider the financing options available as well as day-to-day operating costs. This is also the time to look at dealer services that can be included in the cost of the machine to yield lower equipment owning and operating costs over the long run.

Customer Support Agreements.

Cat dealers offer a variety of product support agreements, and work with customers to develop a plan the best meets specific needs. These plans can cover the entire machine, including attachments, to help protect the customer's investment.

Operation. Improving operating techniques can boost your profits. Your cat dealer has videotapes, literature and other ideas to help you increase productivity, and Caterpillar offers certified operator training classes to help maximize the return on your investment.

Product Support. You will find nearly all parts at our dealer parts counter. Cat dealers utilize a worldwide computer network to find in-stock parts to minimize machine downtime. You can save money with Cat remanufactured components.

Maintenance Services. Repair option programs guarantee the cost of repairs up front. Diagnostic programs such as Scheduled Oil Sampling, Coolant Sampling and Technical Analysis help you avoid unscheduled repairs.

Replacement. Repair, rebuild or replace? Your Cat dealer can help you evaluate the cost involved so you can make the right choice.

Boom, Sticks and Bucket Linkage

Built for Performance and long service life, Caterpillar® booms and sticks are large, welded, box-section structures with thick, multi-plate fabrications in high stress areas.



Boom, Sticks and Attachments.

Designed for maximum flexibility, productivity and high efficiency on all jobs, the 320D LRR offers a wide range of configurations suitable for a variety of applications.

Reach Boom. The boom has large cross-sections and internal baffle plates to provide long life durability. The reach boom features an optimum design that maximizes digging envelopes with two stick choices: R2.9B1 and R2.9B1 HD.

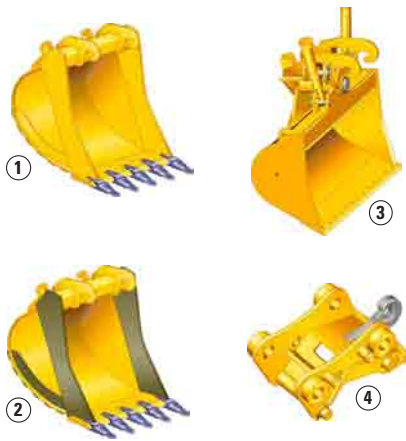
Bucket Linkage. The power link improves durability, increases machine-lifting capability in key lifting positions and with the integrated lift-eye it is easier to use than compared to the previous power link. The lift eye also gives you the optimum lift performance. It allows you to lower the load point, which maximizes the use of the boom cylinders.

Sticks. The sticks are made of high-tensile strength steel using a large box section design with interior baffle plates and an additional bottom guard. The B1-family bucket associated with these sticks have enough capacity for excellent reach and depth in trenching and general construction applications.

- **R2.9B1.** This stick provides the most versatile front linkage, with regard to reach and bucket capacity and delivers good stability for hammer work.
- **R2.9B1 HD.** This heavy duty stick provides more strength for extremely heavy applications.

Work Tools

A wide variety of Work Tools help optimize machine performance. Purpose designed and built to Caterpillar's high durability standards.



- 1 Excavation (X)
- 2 Extreme Excavation (EX)
- 3 Ditch Cleaning
- 4 Quick Coupler



Work Tools. Caterpillar work tools are designed to function as an integral part of your excavator and to provide the best possible performance in your particular application. All work tools are performance-matched to Cat machines.

Quick Couplers. Quick couplers enable the operator to simply release one work tool and connect to another, making your hydraulic excavator highly versatile. Productivity also increases, as a carrier no longer needs to be idle between jobs. Caterpillar offers hydraulic and spindle quick coupler versions.

Buckets. Caterpillar offers a wide range of specialized buckets, each designed and tested to function as an integral part of your excavator. Buckets feature the new Caterpillar K Series™ Ground Engaging Tools.

Hammers. Cat hammer series deliver very high blow rates, increasing the productivity of your tool carriers in demolition and construction applications. Wide oil flow acceptance ranges make the Caterpillar hammers suitable for a wide range of carriers and provide a system solution from one safe source.

Orange Peel Grapples. The orange peel grapple is constructed of high-strength, wear-resistant steel, with a low and compact design that makes it ideal for dump clearance. There are several choices of tine and shell versions.

Multi-Grapples. The multi-grapple with unlimited left and right rotation is the ideal tool for stripping, sorting, handling and loading. The powerful closing force of the grab shells combined with fast opening/closing time ensures rapid cycle time which translates to more tons per hour.

Multi-Processors. Thanks to its single basic housing design, the multi-processor series of hydraulic demolition equipment makes it possible to use a range of jaw sets that can handle any demolition job. The multi-processor is the most versatile demolition tool on the market.

Vibratory Plate Compactors. Cat compactors are performance-matched to Cat machines, and integrate perfectly with the Cat hammer line – brackets and hydraulic kits are fully interchangeable between hammers and compactors.

Shears. Cat shears provide superior and effective scrap processing, and are highly productive in demolition environments. Shears are compatible with a matching Cat excavator, and bolt-on brackets are available for either stick or boom-mounted options.

Engine

Cat C6.4 engine with ACERT Technology

Net Power at 1800 rpm

ISO 9249	103 kW/140 hp
----------	---------------

80/1269/EEC	103 kW/140 hp
-------------	---------------

Bore	102 mm
------	--------

Stroke	130 mm
--------	--------

Displacement	6.4 L
--------------	-------

- All engine horsepower (hp) are metric including front page.
- The C6.4 engine meets EU Stage IIIA emission requirements.
- Net power advertised is the power available at the flywheel when the engine is equipped with fan, air cleaner, muffler, and alternator.
- Full engine net power up to 2300 m altitude (engine derating required above 2300 m).

Drive

Maximum Travel Speed	5.5 km/h
----------------------	----------

Maximum Drawbar Pull	206 kN
----------------------	--------

Swing Mechanism

Swing Speed	11.5 rpm
-------------	----------

Swing Torque	62 kNm
--------------	--------

Sound

The dynamic exterior sound power level meets EU Directive 2005/88/EC.

Cab/FOGS

Cab/FOGS meets ISO 10262.

Hydraulic System

Main System

Maximum flow	2 x 205 L/min
--------------	---------------

Maximum pressure

Normal	350 bar
--------	---------

Travel	350 bar
--------	---------

Swing	250 bar
-------	---------

Pilot System

Maximum flow	32 L/min
--------------	----------

Maximum pressure	39 bar
------------------	--------

Boom Cylinders

Bore	120 mm
------	--------

Stroke	1260 mm
--------	---------

Stick Cylinder

Bore	140 mm
------	--------

Stroke	1518 mm
--------	---------

B1 Family Bucket Cylinder

Bore	120 mm
------	--------

Stroke	1104 mm
--------	---------

Machine and Major Component Weights

Actual weights and ground pressures will depend on final machine configuration.

		Reach boom 5680 mm
Stick type		R2.9B1
Stick length	mm	2920
Bucket weight	kg	700
Bucket capacity	m ³	0.9
Bucket width/type	mm	1000/TL
Operating weight*		
600 mm shoes	kg	23 530
800 mm shoes	kg	24 200
Ground pressure		
600 mm shoes	bar	0.46
800 mm shoes	bar	0.36
Stick weight (with bucket cylinder)	kg	690
Boom weight (with stick cylinder)	kg	1370
Upperstructure (without counterweight)	kg	5880
Undercarriage		
600 mm shoes	kg	7190
800 mm shoes	kg	7860
Counterweight	kg	6500

* With counterweight, quick coupler, bucket, operator and full fuel.

Service Refill Capacities

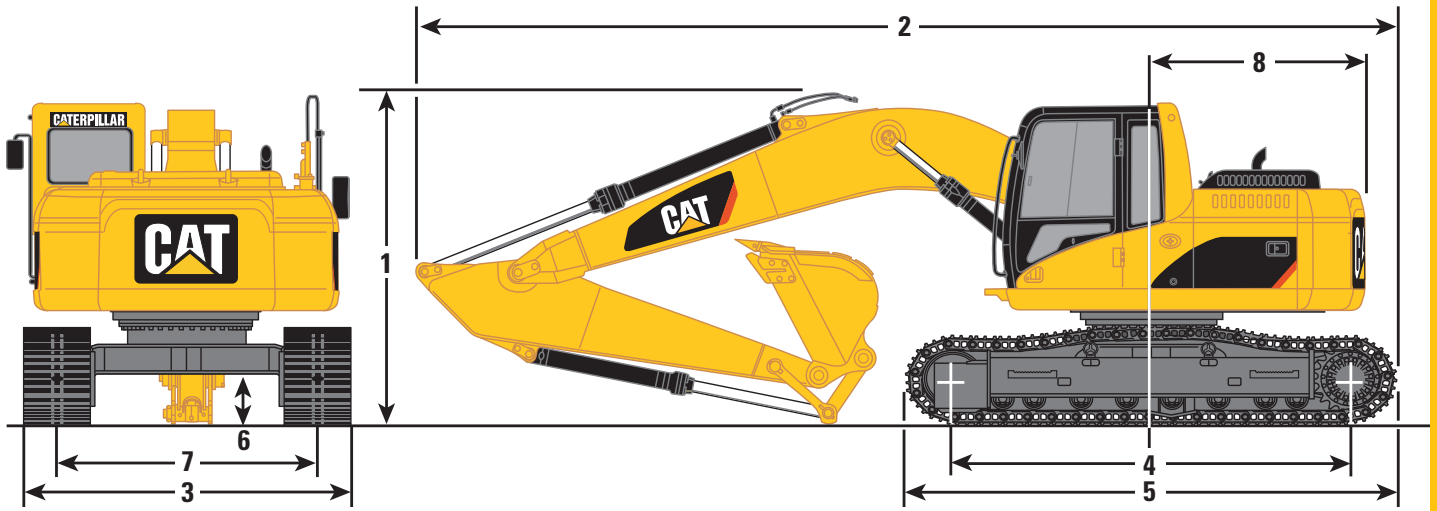
	Liters
Fuel Tank	410
Cooling System	25
Diesel Engine	30
Swing Drive (each)	8
Final Drive (each)	8
Hydraulic system (including tank)	260
Hydraulic tank	120

Track Shoes

Triple grouser	600, 700, 800 mm
----------------	------------------

Dimensions

All dimensions are approximate.



	mm		mm		mm
1 Shipping height (with bucket)		3 Transport width		5 Track length	4455
2920 mm stick	3120	600 mm shoes	2980	6 Ground clearance	450
2 Shipping length		800 mm shoes	3180	7 Track gauge	2380
2920 mm stick	8960	4 Length to centers of rollers	3650	8 Tail swing radius	2000
				Cab height	2950

Bucket Specifications

Contact your Caterpillar dealer for special bucket requirements. All buckets are available to fit the Cat quick coupler.

				Reach Boom 5680 mm			
				Without Quick Coupler		With Quick Coupler	
	Linkage	Width	Capacity (ISO)	Weight*	320D LRR	Weight*	320D LRR
					2920 mm stick		2920 mm stick
		mm	m ³	kg	kg	kg	kg
Excavation (X)	B	600	0.44	564		529	
	B	750	0.59	593		557	
	B	1000	0.86	698		663	
	B	1200	1.08	784		748	
	B	1250	1.13	801		765	
	B	1300	1.19	819		783	
	B	1400	1.30	854		818	
ExtremeExcavation (EX)	B	600	0.44	589		558	
	B	750	0.59	620		584	
	B	1250	1.13	827		792	
	B	1300	1.18	864		829	
	B	1400	1.30	901		866	
Maximum load in kg (payload plus bucket)					2820		2590

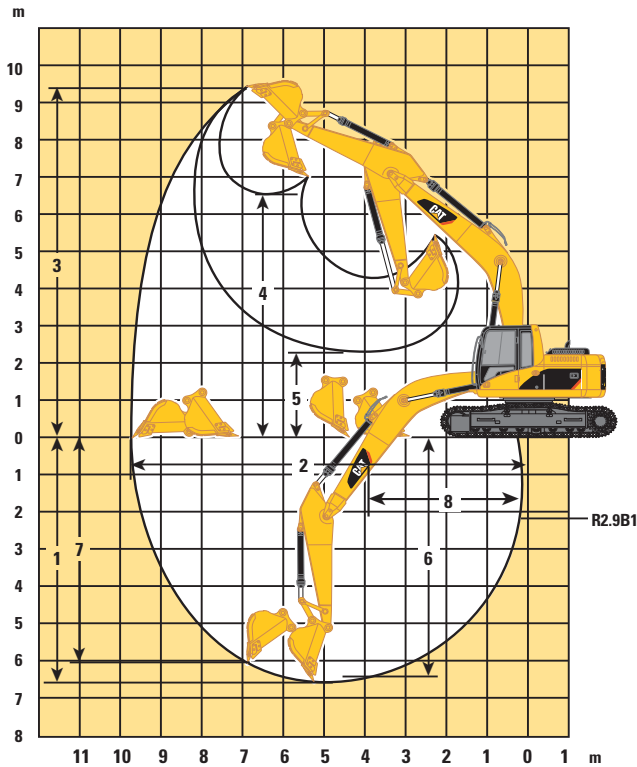
* Including tips

Max. Material density
1200 kg/m³

Max. Material density
1500 kg/m³

Material density
1800 kg/m³ and more

Working Ranges – Reach Boom



Stick Type	R2.9B1
Stick Length	2920 mm
1 Maximum Digging Depth	6690 mm
2 Maximum Reach at Ground Level	9830 mm
3 Maximum Cutting Height	9520 mm
4 Maximum Loading Height	6520 mm
5 Minimum Loading Height	2200 mm
6 Maximum Digging Depth 2.5 m Level Bottom	6520 mm
7 Maximum Vertical Wall Digging Depth	6180 mm
8 Minimum Front Swing Radius	3660 mm
Bucket Tip Radius	1554 mm
Bucket Forces (ISO 6015)	141 kN
Stick Forces (ISO 6015)	106 kN

Lift Capacities – Reach Boom

All weights are in kg, without bucket, with quick coupler, heavy lift on.

Stick
2920 mm
Shoes
600 mm

	1.5 m		3.0 m		4.5 m		6.0 m		7.5 m		9.0 m				m	
7.5 m														*3300	*3300	6.6
6.0 m									*3750	3100				*3050	3000	7.67
4.5 m							*5150	4450	4550	3100				*3000	2550	8.33
3.0 m			*11700	*11700	*7550	6500	*6000	4200	4450	2950				*3100	2300	8.69
1.5 m					*9400	6000	6050	3950	4300	2850				*3250	2200	8.77
0 m			*6900	*6900	9150	5650	5850	3800	4200	2750				3450	2250	8.59
-1.5 m	*6350	*6350	*10500	*10500	9000	5550	5750	3700	4150	2700				3700	2400	8.14
-3.0 m	*10450	*10450	*15150	10650	9000	5550	5750	3700						4350	2800	7.34
-4.5 m			*12600	11000	*8900	5750	5900	3850						5800	3750	6.09

Stick
2920 mm
Shoes
800 mm

	1.5 m		3.0 m		4.5 m		6.0 m		7.5 m		9.0 m				m	
7.5 m														*3300	*3300	6.60
6.0 m									*3750	*3750				*3050	*3050	7.67
4.5 m							*5150	*5150	*4850	3800				*3000	*3000	8.33
3.0 m			*11700	*11700	*7550	*7550	*6000	5200	*5250	3700				3100	2900	8.69
1.5 m					*9450	7500	*6950	4950	*5750	3600				3250	2800	8.77
0 m			*6900	*6900	*10600	7150	*7700	4750	5650	3500				3650	2850	8.59
-1.5 m	*6350	*6350	*10500	*10500	*10950	7050	7750	4650	5600	3450				4250	3050	8.14
-3.0 m	*10450	*10450	*15200	13700	*10450	7050	*7700	4650						5400	3550	7.34
-4.5 m			*12600	*12600	*8900	7200	*6250	4800						6050	4700	6.09



Load Point Height



Load Radius Over Front



Load Radius Over Side



Load at Maximum Reach

* Limited by hydraulic rather than tipping load.

The above loads are in compliance with hydraulic excavator lift capacity ratings standard ISO 10567, they do not exceed 87% of hydraulic lifting capacity or 75% of tipping capacity. Weight of all lifting accessories must be deducted from the above lifting capacities.

Standard Equipment

Standard equipment may vary. Consult your Caterpillar dealer for specifics.

Electrical

Alternator, 50 A
Base machine light (frame)
Electric start, 24 volt
Horn
Pre-start monitoring system –
checks for low fluids
(engine oil, coolant, hydraulic oil) prior to
starting machine

Operator Environment

Air conditioner, heater, defroster with
automatic climate control
AM/FM Radio with antenna and
2 speakers
Ashtray with 24 volt lighter
Beverage/cup holder
Bolt-on Falling object Guarding System
(FOGS) capability
Cab Glass
Openable and retractable two-piece front
windshield
Skylight, pop-up, polycarbonate
Coat hook
Floor mat
Instrument panel and gauges
Joysticks, console mounted,
pilot operated
Light, interior
Literature compartment

Monitor, full graphic color display
Neutral lever (lock out) for all controls
Positive filtered ventilation
Pressurized cab
Seat, suspension, with high back and head rest
Seat belt, retractable – 75 mm
Storage compartment suitable for
lunch box cooler
Sun shade (for skylight)
Travel control pedals with removable
hand levers
Windshield wiper and washer
(upper and lower)

Engine/Power Train

C6.4 with ACERT™ Technology
Air intake heater
Air-to-air aftercooler (ATAAC)
HEUI™ injectors
2300 m altitude capability
without derate
Automatic engine speed control
with one touch low idle
Cooling
Protection of 43°C to –18°C
at 50% concentration
Viscous clutch demand fan
Straight line travel
Two-speed auto-shift travel
Water separator in fuel line

Undercarriage

Grease lubricated track
Hydraulic track adjusters
Idler and center section track guards
Long undercarriage

Other Standard Equipment

Automatic swing parking brake
Auxiliary hydraulic valve
Capability of stackable valves
(max of 3) for main valve
Capability of auxiliary circuit
Counterweight with lifting eyes
Door locks, cap locks and Caterpillar® one
key security system
Fine swing control
Fully pressurized hydraulic system
Heavy lift
Mirrors (frame-right, cab left)
Side rubber bumpers
S•O•S quick sampling valves for engine and
hydraulic oil
Vehicle gradability, 35°
Wave fin radiator
Wiring provision for Product Link

Optional Equipment

Optional equipment may vary. Consult your Caterpillar dealer for specifics.

Front Linkage

Boom
Reach 5680 mm
Stick
R2.9B1 (2920 mm)
R2.9B1 HD (2920 mm)
Bucket Linkage
B1 Family
Boom Lowering Control Device

Electrical

Light, Boom – Right side
Lights, Cab mounted (2)
Machine Security System (MSS)
Power supply (12 V/5 A)
Product Link
Travel Alarm

Guarding

Falling Object Guarding System (FOGS)
Front windshield guard
Full length, wire mesh
Heavy-duty bottom guards

Track guiding guards
Sprocket end, idler end guard
Two-piece full length (center guard removed)
Vandalism guards

Operator Environment

Sunscreen – roller type
Third pedal, straight travel
Wiper, Lower windshield
Washer, windshield

Engine/Power Train

High ambient cooling
for conditions up to 52°C
Prefilter, air
Starting, Cold weather package
Two additional maintenance free batteries
High capacity starter motor
Heavy-duty cable
Water level indicator (fuel)

Undercarriage

600, 700, 800 mm triple grouser shoes
Heavy-duty rollers

Auxiliary Hydraulics

Hammer Circuit
For single function (1 way/2 pump)
hydraulic tools
Hydraulic pin grabber quick coupler and
controller
Lines for booms and sticks
Thumb Circuit
For double function (2 way/1 pump)
hydraulic tools
Tool Control System
Capability of adding medium pressure
For single or double function
(1 or 2 way, 1 or 2 pump)
hydraulic tools
Joysticks with additional switches
Medium pressure circuit
(added to Tool Control only) for tools
requiring medium pressure
Program up to 10 tools in memory

320D LRR Hydraulic Excavator

For more complete information on Cat products, dealer services, and industry solutions, visit us on the web at www.cat.com

Materials and specifications are subject to change without notice. Featured machines in photos may include additional equipment. See your Caterpillar dealer for available options.

© 2007 Caterpillar -- All rights reserved

CAT, CATERPILLAR, their respective logos, "Caterpillar Yellow" and the POWER EDGE trade dress as well as corporate and product identity used herein, are trademarks of Caterpillar and may not be used without permission.

HEHQ3557-1 (03/2007) hr

CATERPILLAR[®]