

2404

Pacesetter

Wacker Neuson Compact Excavator
2404



**WACKER
NEUSON**

Evolution:

Stronger. More efficient.

More durable.

A new generation.

Wacker Neuson factors:

- Hydraulic system with aggregate power level regulation for high efficiency and performance.
- High efficiency: optimal coordination of engine and hydraulic unit.
- Hydraulic balancing and damping of pedals.
- New cab, which can easily be removed while maintaining all cockpit functions.
- Hydraulic oil cooler fitted as standard, which even under extreme conditions of use (hydraulic breaker) maintains the optimal oil temperature.
- Two hoisting eyelets on the cab for easy removal from the dumper.
- Transport weight less than 2.5 t.
- High structural integrity and stability thanks to the redeveloped running gear and optimal weight distribution.
- Stable, high-strength steel construction.
- Vertical Digging System (VDS): continuously variable tilting of the superstructure by up to 15°.*

*Option



Cost-effectiveness under scrutiny: efficiency as a design principle.

Less fuel consumption, less servicing outlay, savings on transportation and performance such as previously were the preserve of higher tonnages. The new 2404 is the result of evolutionary design, with tried-and-tested components being optimised and the interplay of the engine and hydraulic performance considerably improved. Increased productivity, greater efficiency, shorter digging times thanks to precision vertical digging courtesy of the innovative Vertical Digging System (VDS)* from Wacker Neuson. A pacesetter that is a trendsetter in terms of efficiency.



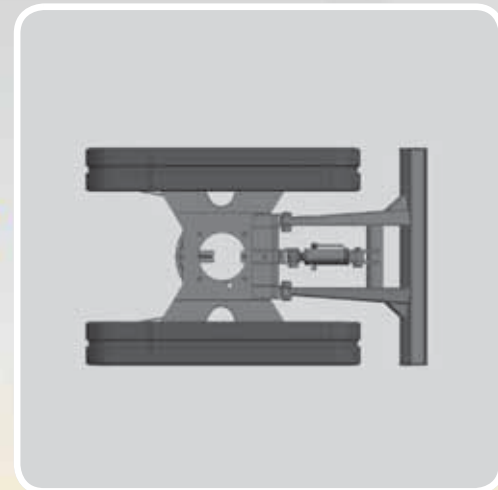
Enhancement:

Excellent digging characteristics.

Improved stability.

Superior performance
at a more competitive price.

The stable X-frame of tried-and-trusted Wacker Neuson design is made of high-grade steel and provides a reliable platform for many productive years of work.



Exceptionally high stability:

The wider, redeveloped running gear provides additional stability.

Impressive digging performance, dumping height, tear-out and breakaway forces, for an unbeatable price / performance ratio.

The powerful drive concept and sensitive steering combine to work in perfect harmony ... for results that can be seen and, above all, measured.

Wacker Neuson factors:

The optimised high-performance hydraulics of the 2404 are a key element of its superiority:

- 2-way auxiliary hydraulics as standard.
- Third control circuit as an option.
- The variable pump with aggregate power regulation* guarantees optimal exploitation of the power output ... a key factor in ensuring efficient fuel consumption.
- All hydraulic hoses run inside the bucket arm, which affords them optimal protection from any damage.
- Damping and hydraulic balancing of drive pedals.
- To the straight travel function, it is also possible to implement all work manoeuvres while driving. The excavator remains automatically straight on track.

* The aggregate power regulation guarantees smooth, regular and finely-controlled bucket arm movements. For full and economical power generation in any situation without subjecting either machine or driver to stress and strain.



The self-cleaning crawler gets rid of dirt as it moves along.



The extremely long and wide running gear ensures exceptional stability even on difficult terrain. The agility and power of the excavator can always be exploited to the full.



Design:

Efficiency on top form.

Development in every detail.

- 1 Cab and canopy fulfil all international ROPS / TOPS / FOPS safety standards.
- 2 The transport weight of under 2.5 t increases mobility and also helps to save time and money. This, too, makes the deployment of a compact excavator even more efficient.
- 3 The particularly wide doorways also facilitate frequent mounting and alighting in the course of a working day. Even brief deployments become productive.
- 4 Programmed security: "The blue key" represents the new coded key system that unites vehicle immobiliser and antitheft functions in one.*



Wacker Neuson factors:

- Generously dimensioned cab* with plenty of leg and head room; second door as option.
- Cab & canopy are ROPS/TOPS/FOPS-certified.
- Antitheft, coded key system and vehicle immobiliser.*
- Wide doorways, making it easier to hop on and off during the course of a working day.

*Option



Cab*:

Comfort and communication.
Innovative windscreen system.



2404

The cab is easy to remove. A few gestures is all it takes to separate the cab from the undercarriage. This means that passages with low headroom are no longer an obstacle.

- 1 The two-door option offers easy access from both sides. This makes the machine even more flexible to deploy.
- 3 Innovative windscreen system for comfort, communication and security:

3.1 Fully glazed front part: Excellent visibility and perfect protection from wind and weather. A thoroughly tried-and-tested concept (tilted position).

3.2 The top sliding part simply slides under the cab roof. There it is safely stowed.

3.3 Dialogue position: The lower pane is slid under the upper pane. This allows the driver to chat with people outside the excavator.

3.4 Both sliding panes are stowed under the cab roof. There is no need to remove them or store them elsewhere. This reduces the likelihood of their damage.



3.2



3.4

Wacker Neuson factors:

- Easy relocation of the machine thanks to the hoisting eyelets on the cab roof.
- Easy dismantling of the cab; all functions remain intact.
- Innovative windscreen system for greater comfort.



2404

Efficiency: Maintenance in minimum time. Ideal proportions.

1 Easy relocation or trailer-loading of the machine. The sturdy hoisting eyelets ensure safe displacement and a pinpoint landing for the 2404. It's easy to get from one work site to the next, and loading the excavator for transportation is very simple.

2 Saving time on servicing and maintenance. The floor plate and the side panels are easy to remove and offer rapid access to the engine and hydraulics.

3 Direct access to the engine compartment. All serviceable components can be reached directly via the large engine hood. Daily checks are pared down to a few simple gestures.



Wacker Neuson factors:

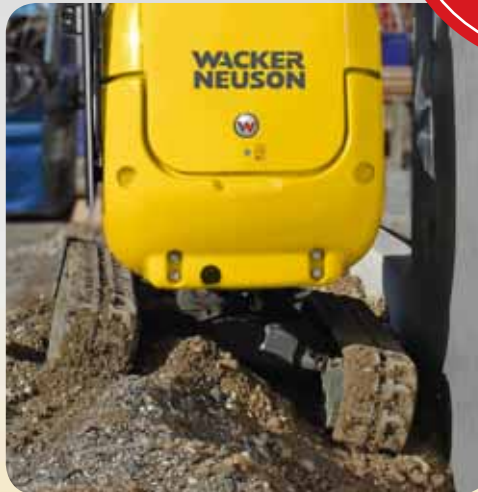
- Ideal proportions for versatile deployment.
- Time and money-saving maintenance and servicing thanks to particularly easy access to the engine and hydraulics.
- Regular checks requiring a few small gestures help extend the service life of the machine.



Professionalism:

Thanks to the Vertical Digging System* (VDS), you and your excavator are always best positioned to get on with your work.

25%
SAVINGS ON TIME
AND MATERIAL
when digging out
and filling in



The Vertical Digging System (VDS):

It saves time and money, offers extra security and opens up new possibilities for working even more efficiently.

Preparatory work is expensive. Full slewing power is required. Safety is a must. There is no time for unwieldy manoeuvring.

With your Wacker Neuson 2404 with VDS up to 25 % savings may be made:

The continuously variable tilting of the superstructure through up to 15° allows you to compensate for gradients of up to 27%.

A steep challenge is turned into an opportunity to excel:

- Greater productivity, better efficiency: Shorter digging times thanks to precisely vertical digging.
- Up to 25% material and time savings when excavating.
- Up to 25% material and time savings when filling in.
- Up to 20% increased stability on a 15° gradient with full load.
- Full all-round slewing power through 360°.
- Familiar seat position, fatigue-proof work conditions.
- Simple and robust construction.
- 10-year guarantee for tilt console and support.

*Option

15° vds

2404

The one-stop solution: Compact format.

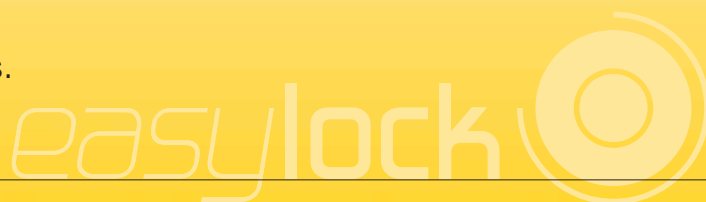


The innovative hydraulic **EASY LOCK** quick-hitch system is perfectly matched to the kinematics of Wacker Neuson compact excavators and makes a decisive contribution to work process improvement through the mode of driving up, coupling up and automatically locking on. On account of the low tool height, the displacement angle of the bucket arm remains unaffected. This makes a vital contribution to improved workflow.



Wacker Neuson factors:

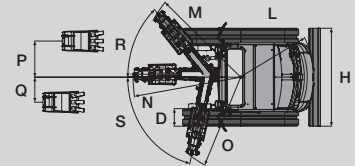
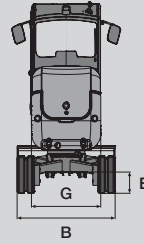
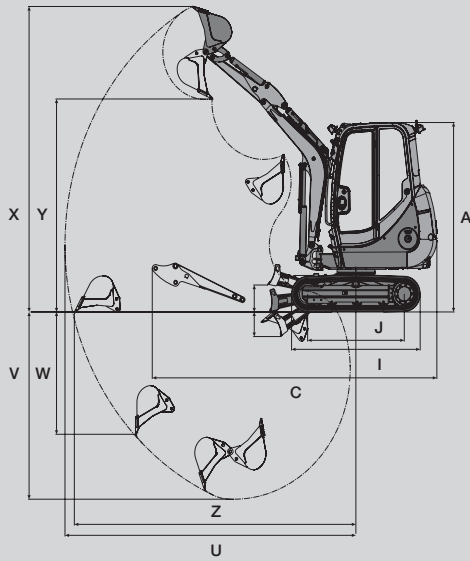
- Hydraulic quick-hitch coupling – **EASY LOCK** - and attachment tools are 100 % compatible.
- Deliverable ex-works – no cost-intensive and laborious retrofitting required.
- Long life expectancy – robustly built with high-grade components.
- Switch from one attachment to another in less than 30 seconds without the driver having to leave his cab.
- Reduced time and manpower needs.





A simple calculation:
Top performance.
A winner every time.

2404



DIMENSIONS

2404

A	Height	2,442 mm
B	Transport width	1,400 mm
C	Transport length	4,068 mm
D	Track width	250 mm
E	Ground clearance	275 mm
G	Superstructure width	990 mm
DIGGER DATA (GENERAL)		
H	Crawler width	1,400 mm
I	Crawler length (total)	1,840 mm
J	Crawler length (sprocket wheel)	1,385 mm
L	Rear pivoting radius	1,159 mm
M	Boom pivoting radius (right)	1,600 mm
N	Boom pivoting radius (centre)	1,700 mm
O	Boom pivoting radius (left)	1,370 mm
P	Max. boom offset to centre of bucket right side	516 mm
Q	Max. boom offset to centre of bucket left side	357 mm
R	Max. swing angle of boom system to the right	48 °
S	Max. swing angle of boom system to the left	77 °
DIGGER DATA (BUCKET ARM - SHORT / LONG)		
Bucket arm length		1,050 / 1,250 mm
U	Max. digging radius	4,160 / 4,350 mm
V	Max. digging depth	2,520 / 2,720 mm
W	Max. vertical digging depth	1,680 / 1,870 mm
X	Max. digging height	3,940 / 4,070 mm
Y	Max. dumping height	2,750 / 2,870 mm
Z	Max. span on the ground	4,030 / 4,190 mm



LIFTING POWER TABLE 2404

SHORT BUCKET ARM

B	2.0 m		2.5 m		3.0 m		max.	
	0°	90°	0°	90°	0°	90°	0°	90°
3.0 m	-	-	559*	559*	-	-	576*	566
2.0 m	-	-	583*	583*	568*	449	574*	385
1.0 m	1,114*	771	814*	559	676*	575	598*	340
0.0 m	1,331*	734	963*	534	755*	416	638*	350
-1.0 m	1,335*	737	968*	534	-	-	802*	442

LONG BUCKET ARM

B	2.0 m		2.5 m		3.0 m		max.	
	0°	90°	0°	90°	0°	90°	0°	90°
3.0 m	-	-	-	-	-	-	509*	479
2.0 m	-	-	508*	508*	508*	447	519*	345
1.0 m	1,007*	782	754*	562	633*	430	546*	309
0.0 m	1,315*	729	943*	530	740*	411	584*	317
-1.0 m	1,323*	727	958*	525	748*	409	711*	389

	OPERATIONAL DATA	2404
	Transport weight Canopy / Cab	2,190 / 2,288 kg
	Operating weight Canopy / Cab	2,312 / 2,410 kg
	Additional weight for long bucket arm	17 kg
	Max. tear-out force Standard bucket arm / long bucket arm	14.6 / 12.9 kN
	Max. digging force on bucket tooth	19.6 kN
	ENGINE	
	Make/Type	Yanmar 3TNV76
	No. of cylinders	3
	Displacement	1,116 cm ³
	Max. engine output	17.9 kW (24.3 hp)
	Performance to ISO	13.2 kW (17.9 hp)
	Battery	12 V / 45 Ah
	HYDRAULIC SYSTEM	
	Pump	Double variable and double gear pump
	Regulation type	Aggregate power level regulation
	Operating pressure for working and driving hydraulics	240 bar
	Operating pressure for slewing gear	150 bar
	Variable pump flow rates	2 x 26.15 l/min
	Gear pump 1 / 2 flow rates	19.1 x 6.5 l/min
	RUNNING GEAR AND SLEWING GEAR	
	2 driving speeds	2.25 km/h, 3.8 km/h
	Gradeability	30° (58%)
	Superstructure slewing speed	10 min ⁻¹
	Ground pressure	0.28 kg/cm ²
	Number of track rollers	3
	DOZER BLADE	
	Width / Height	1,400 / 300 mm
	Max. stroke above / below ground	350 / 320 mm
	CAPACITIES	
	Hydraulic tank capacity	21 l
	System capacity hydraulic oil	30 l
	Diesel tank capacity	24 l
	NOISE EMISSIONS	
	Noise level (L _{wa}) as per 2000/14/EC	93 dB(A)

- A** Projection from turnstile centre
- B** Load fixing height from ground level

* Lifting power is hydraulically restricted. All table values are given in kg, in a horizontal position on a solid surface and without bucket. If a bucket or other device is attached, the lifting power or lifting load is reduced by its own tare weight. Basis of calculation: in acc. with ISO 10567. The lifting power of the compact excavator is limited by the settings of the pressure relief valve and the tilt safety mechanism. 75 % of the static lifting load or 87 % of the hydraulic lifting power may not be exceeded.

0°		with dozer blade support in direction of travel
90°		without dozer blade support 90° to direction of travel

STANDARD EQUIPMENT

2404

OPTIONS

2404

GENERAL**Rubber track** 250 mm**Dozer blade****Working light mounted** on boom**Toolkit****incl. grease gun and operator manual****ENGINE****Water-cooled Yanmar diesel engine****CAB****Canopy**

Adjustable driver seat with imitation leather cover and safety belt, canopy (and cabin) complies with FOPS, TOPS and ROPS regulations

HYDRAULICS**Summation regulation****Hydraulic pilot control**

via joystick

Valve control

according to ISO, DIN, SAE, PCSA and EURO

Auxiliary hydraulic connections

for two directions of motion, mounted on dipperstick

Dual travel speed**Hydraulically dampened drive pedals****Hydraulic oil cooler****CAB**

Glazed safety cab, cab heating, inward-pivoting top and bottom windscreen pane, windscreen wiper/washing system, fully-lined cab interior. Removable cab that fulfils FOPS-, TOPS- and ROPS regulations.

Cab with 2 doors**Canopy with back window****Radio**

Radio set incl. antenna and speakers

Pre-installation radio (antenna, speakers)

Extension of the backrest

HYDRAULICS**Biological oil Panolin****BP-Biohyd SE46****Flat-faced couplers****Proportional steering for 3rd control circuit**

(not possible in combination with Powertilt setup)

Proportional steering

for auxiliary hydraulics

Addit. piping for grapple**Overload valve for auxiliary hydraulic****Overload system Germany****Overload system France****Prepar. hydraulic QH-system (EASY LOCK)****Pilot circuit Powertilt****PAINT****Special paint 1 RAL**

for parts in yellow only

Special paint 1 no RAL

for parts in yellow only

Special paint cab/canopy RAL

RAL colours only

MISCELLANEOUS**VDS Vertical Digging System****Cab lighting front****Cab lighting front and rear****Flashing beacon****Driving signal****Long dipperstick (+200 mm)****Security 24 (1,500 h)**

Warranty extension to 24 months or 1,500 operating hours

Security 24 (2,000 h)

Warranty extension to 24 months or 2,000 operating hours

Drive interlock KAT

Compact construction machinery from Wacker Neuson offers power and manoeuvrability on-the-spot: **Any time, any place.**

We consider it a constant duty to ensure that our pledge regarding our products and services is fulfilled:

Reliability, Trust, Quality, Reactivity, Flexibility and Innovation.

Compact equipment branded Wacker Neuson also does the business where others can only stand and watch. Our products prove their worth through quality, power, intelligent hydraulics, compact dimensions, innovative technology, high productivity and reliability. A setup such as only Wacker Neuson – the Compact Equipment specialist – is capable of. You too can take advantage of this bespoke capability. The Wacker Neuson compact class is in a class of its own. With success stamped right through the line.



**WACKER
NEUSON**