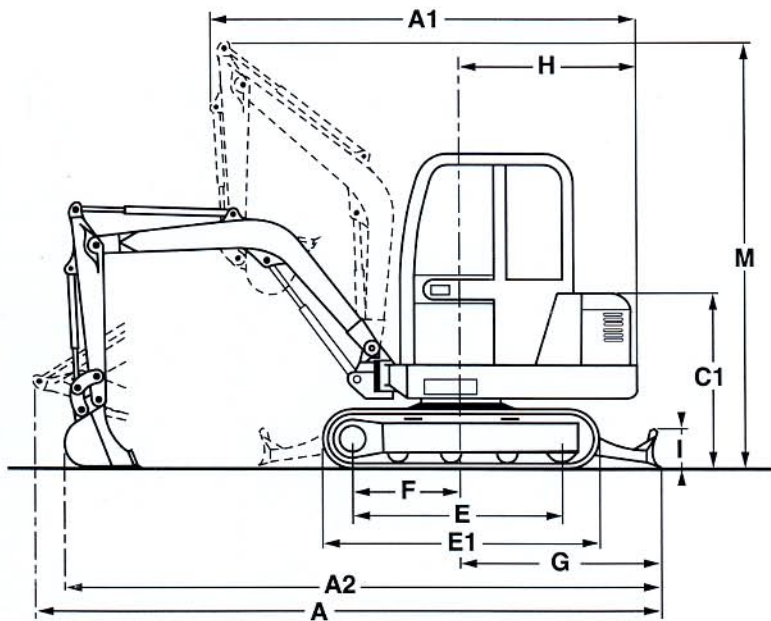


EB 30.4

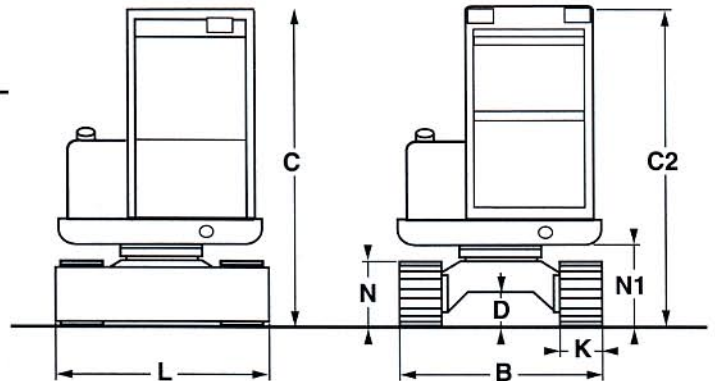
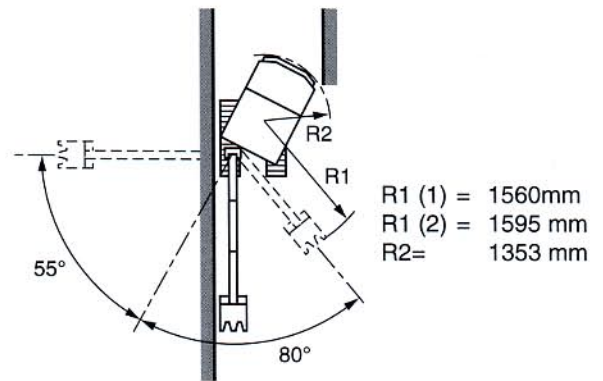


Pel-Job 

The difference on the site.



1 - Arm: 1200 mm
2 - Arm: 1500 mm



mmA	A1	A2	B	C	C1	C2	D	E	E1	F	G	H	I	K	L	M	N	N1	
1	4626	3237	4460	1420	2404	1374	2410	303	1278	1756	700	1503	1304	333	300	1530	3384	477	565
2	4629	3237	4324	1420	2404	1374	2410	303	1278	1756	700	1503	1304	333	300	1530	3384	477	565

OPERATING MASS

With steel crawlers:

- Machine with cab:2990 kg
 - Machine with canopy:2765 kg
- With rubber crawlers:112 kg

DIESEL ENGINE

Type S3L2 -1318 cm³
3cylinders, indirect injection.
Water-cooled.
Net engine power (DIN 6270 B):
.....27,4 HP (20 KW) at 2800 rpm
Net installed power (DIN 6270 B):
.....25HP (18,5KW) at 2500 rpm

SPEED

- Travel (2 speeds)
- Selection "Slow":2,6 km/h
 - Selection "Fast":4,2 km/h
 - Slewing:10 rpm

CRAWLERS

- **rubber** (Standard):
width:300 mm
mass / 1:110 kg
ground pressure:
• with cab:0,32 kg/cm²
• with canopy:0,30 kg/cm²
- **Steel**, 37 links (optional):
width:300 mm

mass / 1: 166 kg
ground pressure:
• with cab:0,32 kg/cm²
• with canopy:0,30 kg/cm²
Track tensionhydraulic
Traction force :2240 daN

HYDRAULIC SYSTEM

- Power-assisted hydraulic controls.
- Travel and excavation equipment circuit:**
- A dual piston pump with power control:
 - Max. delivery:2x25 l/min
 - Operating pressure:230 bar
 - Secondary pressure:280 bar

Blade and slewing circuit:

A gear pump:
• Max. delivery:20 l/min
• Operating pressure:190 bar

Accessories circuit:

• Max. flow rate:50 l/min

POWER OF EQUIPMENT

Wrenching force
(on bucket blade):
• with bucket cylinder:2300 daN
• with arm cylinder:1650 daN

DIESEL OIL

Consumption:4 l/h

ELECTRICAL CIRCUIT

Battery:12 V - 70 AH
Alternator:12 V - 50 A
Starting motor:12 V - 2 KW

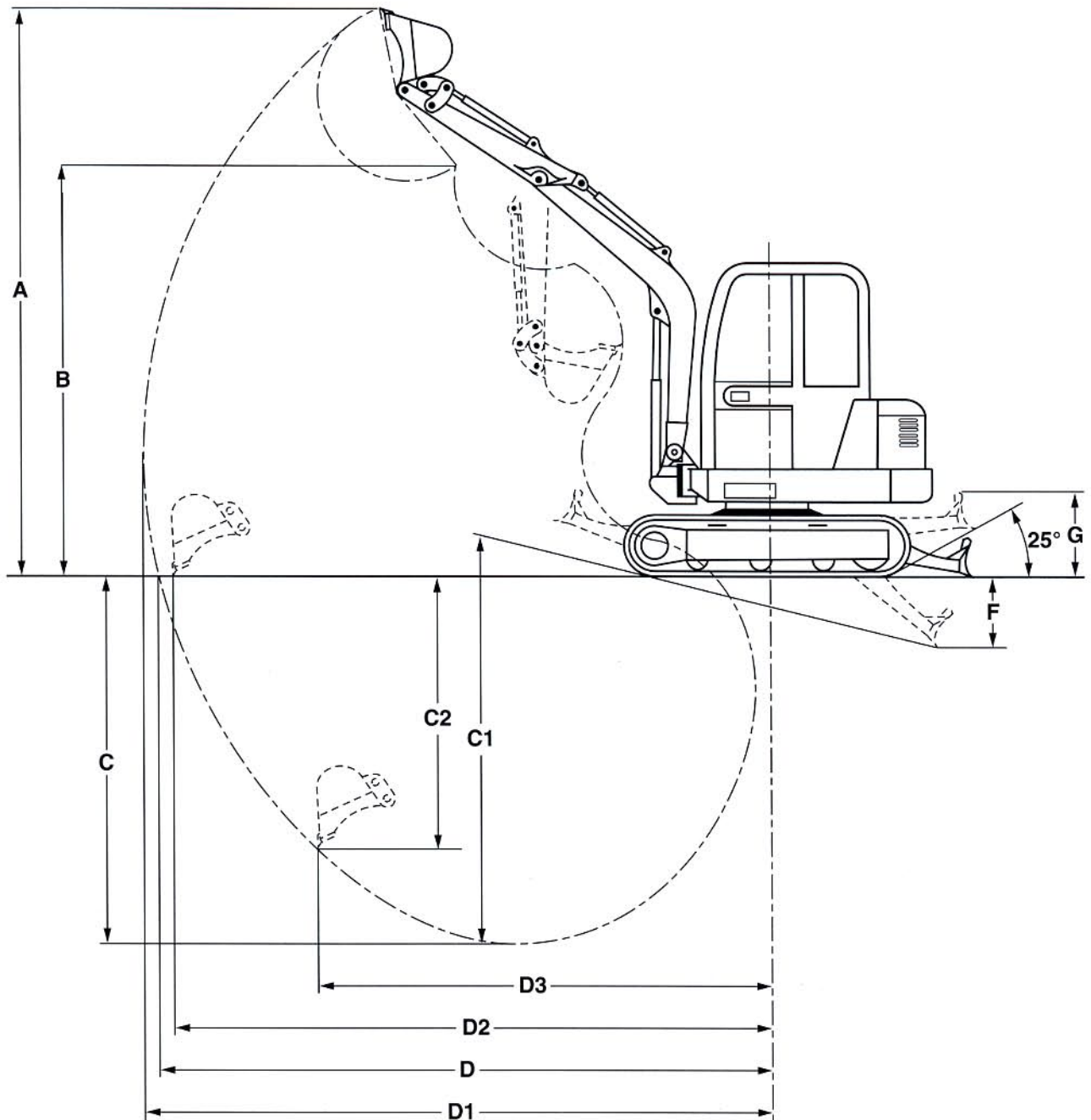
SOUND PROOFING

Acoustic power:
• With cab:LwA 95,9 dB(A)
• With canopy:LwA 95,7 dB(A)

Acoustic pressure level:
• With cab:LpA 76dB(A)
• With canopy:LpA 81dB(A)

EB 30.4

Power Control



- 1 - Arm: 1200 mm
- 2 - Arm: 1500 mm

mm	A	B	C	C1	C2	D	D1	D2	D3	F	G
1	4376	3210	2700	3029	1867	4606	4725	4575	3501	494	704
2	4556	3389	3000	3325	2146	4898	5010	4864	3613	494	704

THE FORCE OF AN INTERNATIONAL GROUP



Pel-Job 
Volvo Compact & Service Equipment

Ecomat industrie SA, BP 119, 01303 Belley, France
Tél. +33 (0) 4 79 81 15 09, Fax +33 (0) 4 79 81 39 63

Machine designed and
manufactured in France

In accordance with its established
policy of constant improvement **PEL-
JOB** reserves the right to amend this
specifications without notice.