

# Crawler Excavator

**R 934 C**  
Litronic®

Operating Weight: 31,100 - 35,900 kg  
Engine Output: 150 kW / 203 hp  
Bucket Capacity: 0.95 - 1.95 m<sup>3</sup>



# LIEBHERR



# R 934 C

Litronic

Operating Weight: 31,100 - 35,900 kg

Engine Output: 150 kW / 203 hp

Bucket Capacity: 0.95 - 1.95 m<sup>3</sup>





## Performance

Liebherr crawler excavators feature state-of-the-art technology and high-quality workmanship. The most important components of the drive system are all produced by Liebherr and are perfectly coordinated with one another. The engine generation, as further developed for the "C-series", assures an effective power delivery, a high degree of efficiency, long life expectancy and complies with the emission standard IIIa / Tier 3.

## Reliability

High demand for performance and quality is consequently converted into landmark solutions to achieve the highest level of dependability and reliability. Liebherr has over 50 years experience in the production of hydraulic excavators and has an unparalleled competence in design and know-how.

## Comfort

In the operator's station, the operator can look forward to a comfortable workstation that is designed according to the most up-to-date ergonomically know-how. The standard automatic climate control provides a pleasant working environment in all weather conditions.

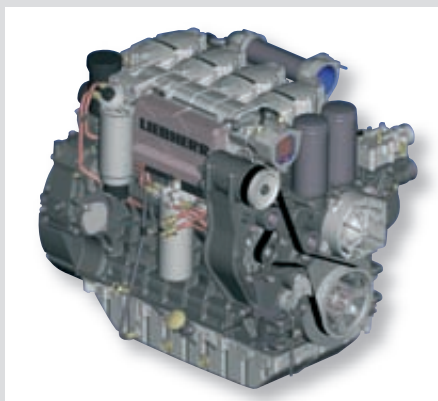
Liebherr crawler excavators are particularly service-friendly: Maintenance work is simply and quickly accomplished due to well accessible service points.

## Economy

Liebherr crawler excavators stand for maximum productivity. The sensitive excavator controls assure optimal efficiency in the interaction of excavator hydraulics and electronics. A wide selection of attachments, accessory tools and undercarriages with various dimensions provide the correct choice for every application.







#### Liebherr Diesel Engine

- Specifically designed for construction equipment
- Maximum output at low engine speed
- Long life expectancy
- Incline lubrication capability for an up to 100% grade
- LIDEC-Engine Control – Liebherr Diesel Engine Control
- State-of-the-art technology with common rail injection system
- Electronically regulation of injection-amount and-timing
- Complies with emission standard IIIa / Tier 3





# Performance

Liebherr crawler excavators feature state-of-the-art technology and high-quality workmanship. The most important components of the drive system are all produced by Liebherr factories and are perfectly coordinated to each other. The engine generation, as further developed for the “C-series”, assures an effective power delivery, a high degree of efficiency, long life expectancy and complies with the emission standard IIIa / Tier 3.

## High Productivity

### High digging and break-out forces

The R 934 C features high digging and break-out forces due to optimal attachment geometry. The remarkable forces are especially accomplished with the utilization of large-size stick and bucket cylinders.

### Regeneration Plus

The feature “Regeneration Plus“ guarantees quicker attachment lowering, less pressure loss and more safety. A high productivity is achieved due to the optimizing and consolidating of the functions “pressure-less lowering”, “regeneration” and “load holding valves” in connection with a high hydraulic output.

## Liebherr Engine Technology

### Liebherr Diesel Power

The 4-cylinder in-line engine, developed for the R 934 C with the new common rail injection assures an effective power output, a high efficiency and a long life expectancy. Already at a low speed range the engine develops a high output and contributes substantially to the economical operation of the entire machine.

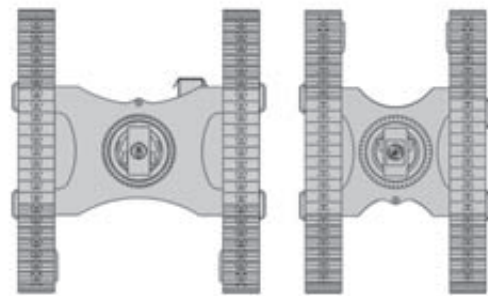
### Emission reduces combustion

The new engine generation with optimal performance density assures for a more environmentally-friendly fuel combustion. Higher ignition pressures and the newly designed injection technology guarantee the compliance with the emission standard IIIa / Tier 3.



### Multi-function tool carrier

- For every material and application the correct digging tool
- Change-over of mechanical and hydraulic tool in a matter of seconds due to a modular quick coupler system designed and manufactured by Liebherr:
- Likufix for the change-over of all hydraulic and mechanical tools from the dash board in the operator station
- Liebherr quick coupler adapter for the change-over of mechanical tools



### Heavy-duty undercarriage

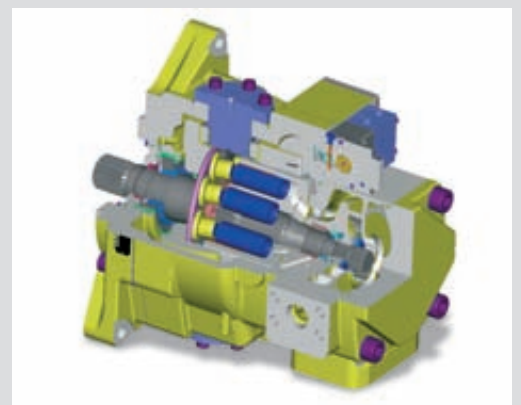
- An extensive undercarriage selection for every application: mechanically or hydraulically adjustable, various track-gages and -lengths
- Combination of high-strength steel plates with steel castings for a smooth stress flow





#### Liebherr hydraulic cylinders

- Cylinder sizes matched to each model
- High-quality coating of piston rod
- Special gasket packages for piston rod and piston
- Sealed special bushings for pin mountings
- End-cushion





# Reliability

The high demand for performance and quality is consequently converted into landmark solutions to achieve the highest level of dependability and availability. Liebherr has 50 years experience in the production of hydraulic excavators and has an unparalleled competence in design and know-how.

## Technology with a vision

### Optimized hydraulics

External bypass lines at the control valve apply the oil flow to the appropriate attachment functions. The optimal hose routing from the control valve to the attachment substantially increases the dependability of the hydraulic system.

### Power pack

The individual components of the drive unit (i.e. construction equipment engine, travel and swing gearboxes, main pumps and hydraulic cylinders), produced by sister companies of Liebherr are coordinated to fit each other perfectly. They guarantee maximum dependability as an integral part of the total system which is designed for long life expectancy.

### Quality to the last detail

The clearly laid out routing of the hydraulic, lubrication and electrical lines assures the highest reliability and performance of the machine. Optimal corrosion protection is achieved with pre-painted and surface-treated parts.

## Heavy-duty attachments with long-term advantage

### Robust attachment concept

With the utilization of steel castings at every pivot point, the attachment is consistently able to withstand the most server demands.

### Optimized stress flow

The swing ring tower is made from one piece, which transfers the forces – following the principal of “stress flow design” - into the undercarriage. For lasting protection against dirt and damage, Liebherr swing rings are sealed and have internal teeth.

### Key components made by Liebherr

- All components are perfectly suited for the construction equipment application
- Engines, hydraulic pumps and motors, swing and travel gearboxes as well as electronic elements from in-house production
- Manufacturing centers for components in Germany and Switzerland produce according to the latest production methods



### Optional modular particle filter

- Particle filter to reduce nanoparticle emissions
- Consisting of: Intake module, filter module, exit module and muffler module
- VERT-certificate





#### Hydraulic reservoir stop valve

- Easy and quick interruption of the oil circuit between hydraulic reservoir and hydraulic system
- No drainage of fluid necessary for service or repair work on the hydraulic system





# Comfort

In the operator station, the operator can look forward to a comfortably appointed workstation that is designed according to the most up-to-date ergonomically know-how. The standard automatic climate control provides a pleasant working environment at any weather condition.

Liebherr crawler excavators are particularly service-friendly: maintenance work is simply and quickly accomplished due to well accessible service points.

## Standard maintenance advantage

### Easy accessibility

All service points are easily accessible and the R 934 C features a central lubrication point as a standard feature. Daily preventive maintenance can be completed in a short period of time.

### Maintenance friendly track components

Top rollers, track rollers and track link pins are lubricated for the life of the excavator. The grease cylinder of the idler tensioner is sealed against dirt.

## Work place with feel-well character

### Optimal visibility

The operator station's generously-sized windows provide outstanding visibility of the work and surrounding area.

### Well thought-out arrangement

Design and arrangement of the seat, controls and displays are perfectly tuned to each other in an ergonomically-integrated concept. The operator's seat has shock-absorbing suspension and is adjustable to the individual preference of each operator.

### Easy operation

The control consoles and information display are arranged within clear view of the operator and are easy to reach. New joysticks, with reduced operating force, are ergonomically shaped and allow pleasant and fatigue-free work.



### Easy access

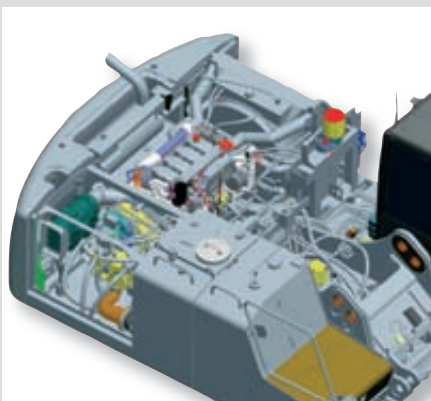
- Comfortably positioned ascents on both sides provide good accessibility to all service points
- Ergonomically positioned hand rails ensure secure ascent and descent
- Additional hand rails guarantee maximum safety



### Liebherr Operator's station

- Generously-sized windows allow for optimal visibility
- Right-side window without vertical center post
- Standard automatic climate control
- Operator's seat is individually adjustable and includes a shock-absorbing cushion
- Lockable storage behind seat





#### Hydrostatic fan drive

- The cooling system consists of two hydrostatically driven fans
- Thermostatically regulated fan speed via engine oil and coolant temperature
- Accelerated warm-up period
- Assurance of steady fluid quality due to constant temperature
- Increased longevity of drive components
- Fan only takes-off the needed power, reducing fuel consumption





# Economy

Liebherr crawler excavators stand for a maximum of productivity. The sensitive excavator controls assure an optimal efficiency in the interaction of excavator hydraulics and –electronics. A wide selection of attachments, accessory tools and varied dimensioned undercarriages provide the correct choice for each application.

## Top technology for maximum profitability

### Electronic engine speed sensing control

This regulating system causes an efficient conversion of the engine output in hydraulic performance – which results in better utilization of the available engine power. The result: higher digging forces, shorter cycle times and lower fuel consumption.

### Liebherr Tool-Management-System

A unique range of digging tools and quick coupler modules guarantee an economical advantage for jobs with frequent tool changes. Based on years and years of field experience, all components of the Liebherr Tool-Management System originate from its own research and production.

## Outstanding parts availability

### Quick spare parts supply

80,000 line items are always in stock for the global part requirements. Emergency part orders are shippable within 24 hours.

### Professional help on-call

Liebherr's customer service is accessible on a 24/7 basis. Qualified professionals are available around the clock to respond to all questions from part supplies to repair advise.

### Extensive service packages

Custom-tailored service packages guarantee service with individually-focused technical and logistical attention. Liebherr provides solutions with components from remanufactured repair or rebuild programs for every requirement – manufactured to maintain genuine quality.



### Standard semiautomatic central lubrication system

- The standard semiautomatic central lubrication system facilitates a quick maintenance: It eliminates time-consuming lubrication and stoppage of the machine
- Lubricating the machine takes place safely and comfortably by pushing a button inside the cab



### Liebherr Tool-Control

- Immediately after change of the hydraulic tool, the programmed pressure settings and oil flow volumes are available
- Stores up to 10 accessory tool settings (pressure and oil flow)
- Displays the type of accessory tool



# Technical Data



## Engine

Rating per ISO 9249	150 kW (203 HP) at 1800 RPM
Model	Liebherr D 934 L
Type	4 cylinder in-line
Bore/Stroke	122/150 mm
Displacement	7,01 l
Engine operation	4-stroke diesel unit pump system turbo-charged after-cooled reduced emissions
Cooling	water-cooled and integrated motor oil cooler
Fuel tank	580 l
Standard	sensor controlled engine idling
Electrical system	
Voltage	24 V
Batteries	2 x 170 Ah/12 V
Starter	three phase current 24 V/6,6 kW
Alternator	28 V/80 A



## Hydraulic System

Hydraulic pump for attachment and travel drive	Liebherr variable flow, swash plate double pump
Max. flow	2 x 245 l/min.
Max. pressure	350 bar
Pump regulation	electro-hydraulic with electronic engine speed sensing regulation, pressure compensation, flow compensation, automatic oil flow optimizer
Hydraulic pump for swing drive	reversible, variable flow, swash plate pump, closed-loop circuit
Max. flow	149 l/min.
Max. pressure	350 bar
Hydraulic tank	340 l
Hydraulic system	550 l
Hydraulic oil filter	1 full flow filter in return line with integrated fine filter area (5 µm)
Hydraulic oil cooler	compact cooler, consisting of a water cooler, sandwiched with hydraulic oil cooler and fuel and after-cooler cores and hydro-statically driven fan
MODE selection	adjustment of machine performance and the hydraulics via a mode selector to match application
ECO	for especially economical and environmentally friendly operation
POWER	for maximum digging power and heavy duty jobs
LIFT	for lifting
FINE	for precision work and lifting through very sensitive movements
RPM adjustment	stepless adjustment of engine output via the rpm at each selected mode
Liebherr Tool Control	ten preadjustable pump flows and pressures for add on tools (option)



## Hydraulic Controls

Power distribution	via monoblock control valve with integrated safety valves
Flow summation	to boom and stick
Closed-loop circuit	for uppercarriage swing drive
Servo circuit	
Attachment and swing	proportional via joystick levers
Travel	– proportional via foot pedals or removable hand levers – speed pre-selection
Additional functions	via foot pedals or joystick toggle switch



## Swing Drive

Drive by	Liebherr swash plate motor with integrated brake valves
Transmission	Liebherr compact planetary reduction gear
Swing ring	Liebherr, sealed single race ball bearing swing ring, internal teeth. Lubrication via a grease distributor and a grease nipple
Swing speed	0 – 8,2 RPM stepless
Swing torque	84 kNm
Holding brake	wet multi-disc (spring applied, pressure released)
Option	pedal controlled positioning brake



## Operator's Cab

Cab	built from deep drawn components, resiliently mounted, sound insulated, tinted windows, front window stores overhead, door with sliding window
Operator's seat	shock absorbing suspension, adjustable to operator's weight, 6-way adjustable seat
Joysticks	integrated into adjustable seat consoles
Monitoring	menu driven query of current operating conditions via the LCD display. Automatic monitoring, display, warning (acoustical and optical signal) and saving machine malfunction data, for example, engine overheating, low engine oil pressure or low hydraulic oil level
Heating system	standard air conditioning, combined cooler/heater, additional dust filter in fresh air/recirculated
Noise emission	
ISO 6396	$L_{pA}$ (inside cab) = 72 dB(A)
2000/14/EC	$L_{WA}$ (surround noise) = 104 dB(A)



## Undercarriage

Versions	
HD-S	heavy duty, narrow gauge
HD-SL	heavy duty, wide gauge
S-HD	super-HD-undercarriage for extreme and very tough applications, e.g. quarries
Drive	Liebherr swash plate motors with integrated brake valves on both sides
Transmission	Liebherr planetary reduction gears
Travel speed	low range – 2,8 km/h high range – 5,1 km/h
Drawbar pull max.	323 kN
Track components	B 60, maintenance-free
Track rollers/Carrier rollers	9/2
Tracks	sealed and greased
Track pads	triple grouser
Digging locks	wet multi-discs (spring applied, pressure released)
Brake valves	integrated into travel motor

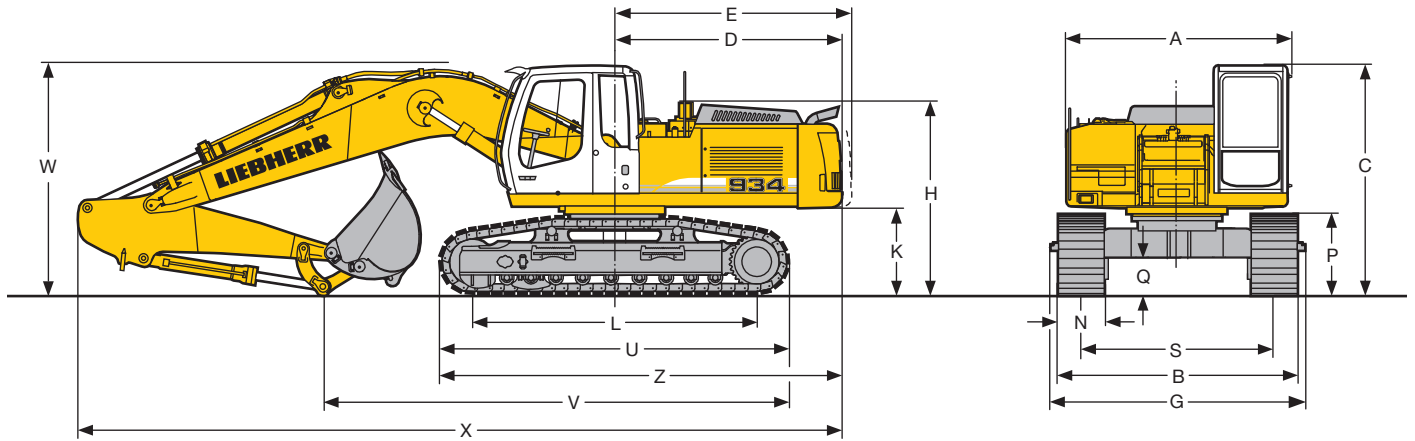


## Attachment

Type	combination of resistant steel plates and cast steel components
Hydraulic cylinders	Liebherr cylinders with special seal-system, shock absorbed
Pivots	sealed, low maintenance
Lubrication	semi-automatic central lubrication system (excepting the connector bracket and shifting lever for the digging tool)
Hydraulic connections	pipes and hoses equipped with SAE split-flange connections
Bucket	standard equipped with 12 t safety hook for lifting



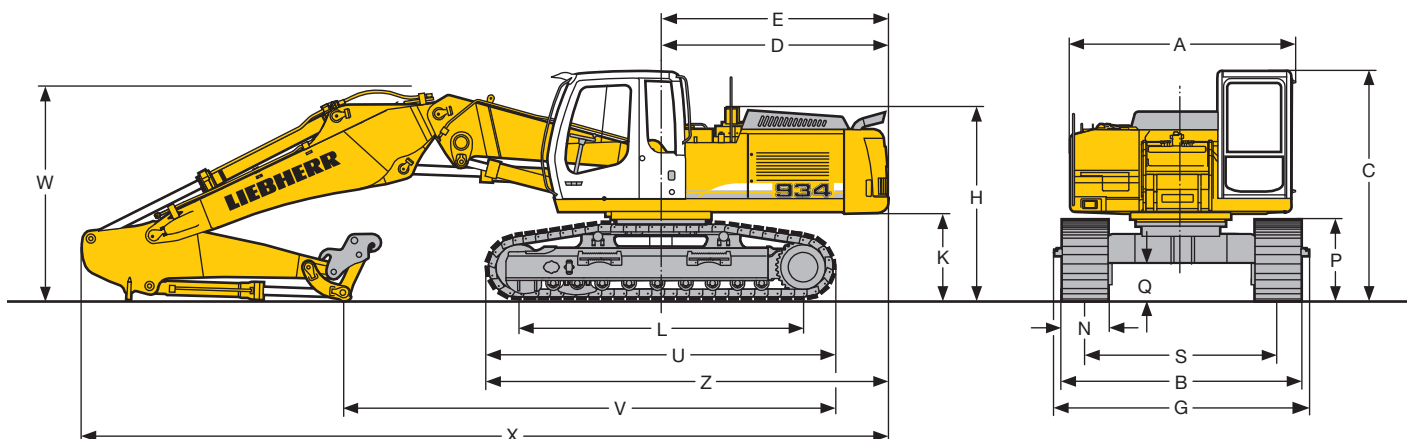
# Dimensions



	HD-S	mm	HD-SL	mm	S-HD	mm
A		3050		3050		3050
C		3125		3125		3125
D		3145		3145		3145
E		3145		3145		3145
H		2650		2650		2700
K		1160		1160		1210
L		3848		3848		4000
P		1016		1016		1120

	HD-S	mm	HD-SL	mm	S-HD	mm
Q		493		493		537
U		4720		4720		4900
S		2400		2600		2400
N	500 600 750		500 600 750		500 600 750	
B	2998 3000 3150		3198 3200 3350		2998 3000 3150	
G	3195 3195 3195		3395 3395 3395		3195 3195 3195	
Z		5510		5510		5615

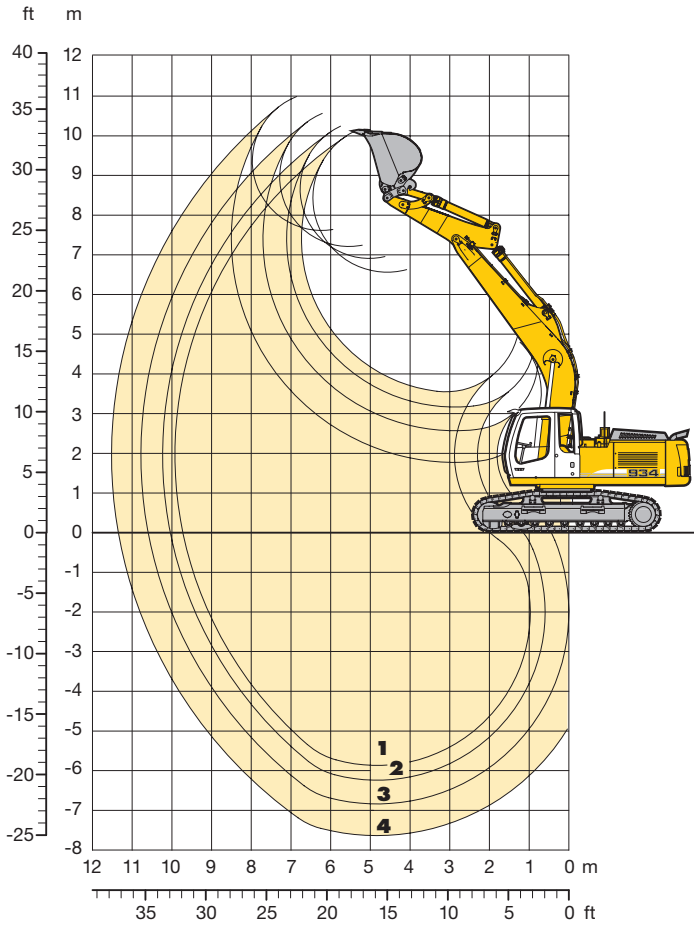
		Stick Length m	Gooseneck Boom 6,05 m		Hydr. Adjustable Boom 4,20 m		Hydr. Adjustable Boom 5,20 m		Straight Gooseneck Boom 6,50 m	
			Backhoe mm	Quick Change Adapter mm	Backhoe mm	Quick Change Adapter mm	Backhoe mm	Quick Change Adapter mm	Backhoe mm	Quick Change Adapter mm
V	HD-S/HD-SL	2,00	7150	6850	6900	7600	8900	8600	6900	7550
	S-HD	2,00	7050	6950	7800	7700	8800	8700	7750	7650
	HD-S/HD-SL	2,50	6300	6000	6200	6650	8100	7750	6950	6550
	S-HD	2,50	6200	6100	6850	6750	6950	6850	6750	6650
	HD-S/HD-SL	3,10	5650	5400	6450	6150	7500	7250	6400	6200
	S-HD	3,10	5600	5500	6350	6250	7450	7350	6400	6300
W	HD-S/HD-SL	3,90	4900	4750	5500	5500	6600	6600	5650	5650
	S-HD	3,90	4950	4850	5700	5600	6800	6700	5850	5750
	HD-S/HD-SL	2,00	3300	3250	3400	3250	3300	3250	3250	3100
	S-HD	2,00	3350	3300	3350	3300	3350	3300	3200	3150
	HD-S/HD-SL	2,50	3150	3050	3150	2950	3100	3000	3050	2900
	S-HD	2,50	3150	3100	3050	3000	3100	3050	3000	2950
X	HD-S/HD-SL	3,10	3150	3050	3200	3000	3200	3150	3100	3000
	S-HD	3,10	3150	3100	3100	3050	3250	3200	3100	3050
	HD-S/HD-SL	3,90	3250	3150	3250	3200	3350	3350	3350	3300
	S-HD	3,90	3250	3200	3300	3250	3400	3400	3400	3350
	HD-S/HD-SL	2,00	10600	10600	11300	11250	12200	12200	11100	11100
	S-HD	2,00	10600	10600	11250	11250	12150	12150	11100	11100
	HD-S/HD-SL	2,50	10450	10450	11150	11100	12050	12050	11000	11000
	S-HD	2,50	10450	10450	11100	11100	12000	12000	11000	11000
	HD-S/HD-SL	3,10	10500	10450	11150	11100	12100	12100	11050	11050
	S-HD	3,10	10450	10450	11100	11100	12050	12050	11050	11050
	HD-S/HD-SL	3,90	10550	10500	11150	11150	12100	12100	11050	11050
	S-HD	3,90	10500	10500	11150	11150	12050	12050	11050	11050





# Backhoe Attachment

with Gooseneck Boom 6,05 m



## Digging Envelope with Quick Change Adapter

		1	2	3	4
Stick lengths	m	2,00	2,50	3,10	3,90
Max. digging depth	m	5,90	6,30	6,90	7,70
Max. reach at ground level	m	9,70	10,05	10,60	11,35
Max. dump height	m	6,55	6,90	7,20	7,60
Max. teeth height	m	10,10	10,20	10,55	11,00

## Digging Forces with Quick Change Adapter

		1	2	3	4
Digging force ISO	kN	161	137	119	102
	t	16,4	13,9	12,1	10,4
Breakout force ISO	kN	187	155	155	155
	t	19,1	15,8	15,8	15,8

## without Quick Change Adapter

Digging force ISO	kN	170	146	126	106
	t	17,3	14,9	12,8	10,8
Breakout force ISO	kN	213	184	184	184
	t	22,1	18,8	18,8	18,8

Max. breakout force with ripper bucket 264 kN (27,9 t)

## Operating Weight and Ground Pressure

Operating weight includes basic machine with gooseneck boom 6,05 m, stick 2,50 m, quick change adapter 66 and bucket 0,95 m<sup>3</sup> (860 kg).

Undercarriage		HD-S			HD-SL			S-HD		
Pad width	mm	500	600	750	500	600	750	500	600	750
Weight	kg	31050	31400	31900	31150	31500	32000	32800	33200	33800
Ground pressure	kg/cm <sup>2</sup>	0,75	0,63	0,51	0,75	0,63	0,51	0,76	0,64	0,52

Optional: heavy counterweight

(Heavy counterweight increases the operating weight by 1000 kg and ground pressure by 0,02 kg/cm<sup>2</sup>)

## Buckets

### without Quick Change Adapter

### with Quick Change Adapter

Cutting width	mm	1050	1250	1400	1550	1550	1050 <sup>1)</sup>	1200 <sup>1)</sup>	1350 <sup>1)</sup>	1500 <sup>1)</sup>	1650 <sup>1)</sup>	1050	1250	1400	1550	1050 <sup>1)</sup>	1200 <sup>1)</sup>	1350 <sup>1)</sup>	1500 <sup>1)</sup>	1650 <sup>1)</sup>
Capacity ISO 7451	m <sup>3</sup>	0,95	1,15	1,35	1,50	1,80	1,10	1,30	1,50	1,75	1,95	0,95	1,15	1,35	1,50	1,10	1,30	1,50	1,75	1,95
Max. possible material weight	HD-S	t/m <sup>3</sup>	1,8	1,8	1,8	1,8	1,5	1,8	1,8	1,8	1,5	1,8	1,8	1,8	1,8	1,8	1,8	1,8	1,5	1,2
	HD-SL	t/m <sup>3</sup>	1,8	1,8	1,8	1,8	1,8	1,8	1,8	1,8	1,5	1,8	1,8	1,8	1,8	1,8	1,8	1,8	1,8	1,5
	S-HD	t/m <sup>3</sup>	1,8	1,8	1,8	1,8	1,8	1,8	1,8	1,8	1,8	1,5	1,8	1,8	1,8	1,8	1,8	1,8	1,8	1,8
Weight of STD-bucket with Liebherr teeth Z 16 <sup>2)</sup>	kg	860	960	1020	1080	1160	1210	1290	1380	1470	1600	840	960	1050	1130	1190	1280	1370	1450	1580
Weight of HD-bucket with Liebherr teeth Z 20 <sup>3)</sup>	kg	1050	1160	1270	1340	-	1250	1350	1440	1520	1660	1100	1210	1320	1410	1280	1360	1480	1560	1710
<b>Max. stick length for machine stability per ISO 10567:</b>																				
HD-S-Undercarriage	m	3,90	3,90	3,10	2,50	2,50	2,00	2,00	2,00	2,00	2,00	3,90	3,90	3,10	2,50	2,00	2,00	2,00	2,00	2,00
HD-SL-Undercarriage	m	3,90	3,90	3,90	3,10	2,50	2,00	2,00	2,00	2,00	2,00	3,90	3,90	3,90	3,10	2,00	2,00	2,00	2,00	2,00
S-HD-Undercarriage	m	3,90	3,90	3,90	3,10	2,50	2,00	2,00	2,00	2,00	2,00	3,90	3,90	3,90	3,10	2,00	2,00	2,00	2,00	2,00

<sup>1)</sup> Backhoe with machine R 944 B Litronic

<sup>2)</sup> Liebherr teeth Z 16 (for applications up to surface class 5, according to VOB, part C, DIN 18300)

<sup>3)</sup> Liebherr teeth Z 20 (for applications over surface class 6, according to VOB, part C, DIN 18300)



# Lift Capacities

with Gooseneck Boom 6,05 m

## Stick 2,00 m

Height (m)	Under-carriage	Radius of load from centerline of machine (m)					
		3,0	4,5	6,0	7,5	9,0	10,5
10,5	HD-S						
	HD-SL						
	S-HD						
9,0	HD-S						
	HD-SL						
	S-HD						
7,5	HD-S						
	HD-SL						
	S-HD			6,8# ( 6,8#)			
6,0	HD-S			7,4 ( 7,8#)			
	HD-SL			7,8# ( 7,8#)			
	S-HD			7,8# ( 7,8#)			
4,5	HD-S		10,8# (10,8#)	7,0 ( 8,6#)	4,9 (7,5#)		
	HD-SL		10,8# (10,8#)	7,6 ( 8,6#)	5,3 (7,5#)		
	S-HD		10,8# (10,8#)	7,4 ( 8,6#)	5,2 (7,5#)		
3,0	HD-S		9,8 (13,1#)	6,5 ( 9,6#)	4,7 (7,7 )		
	HD-SL		10,8 (13,1#)	7,1 ( 9,6#)	5,1 (7,8 )		
	S-HD		10,4 (13,2#)	7,0 ( 9,6#)	5,0 (7,9#)		
1,5	HD-S		9,0 (14,6#)	6,1 (10,4#)	4,5 (7,5 )		
	HD-SL		10,1 (14,6#)	6,7 (10,4#)	4,9 (7,5 )		
	S-HD		9,7 (14,6#)	6,5 (10,4#)	4,8 (8,3#)		
0	HD-S		8,8 (14,6#)	5,9 (10,2 )	4,3 (7,3 )		
	HD-SL		9,8 (14,6#)	6,5 (10,3 )	4,8 (7,4 )		
	S-HD		9,5 (14,6#)	6,3 (10,7#)	4,7 (8,2 )		
-1,5	HD-S	13,0# 13,0#	8,8 (13,6#)	5,8 (10,2 )			
	HD-SL	13,0# 13,0#	9,9 (13,6#)	6,4 (10,2 )			
	S-HD	13,3# 13,3#	9,5 (13,6#)	6,3 (10,3#)			
-3,0	HD-S	15,0# 15,0#	9,0 (11,8#)	5,9 ( 8,9#)			
	HD-SL	15,0# 15,0#	10,1 (11,8#)	6,6 ( 8,9#)			
	S-HD	14,9# 14,9#	9,7 (11,7#)	6,4 ( 8,8#)			
-4,5	HD-S						
	HD-SL						
	S-HD						
-6,0	HD-S						
	HD-SL						
	S-HD						
-7,5	HD-S						
	HD-SL						
	S-HD						

## Stick 2,50 m

Height (m)	Under-carriage	Radius of load from centerline of machine (m)					
		3,0	4,5	6,0	7,5	9,0	10,5
10,5	HD-S						
	HD-SL						
	S-HD						
9,0	HD-S						
	HD-SL						
	S-HD						
7,5	HD-S						
	HD-SL			6,2# ( 6,2#)			
	S-HD			6,2# ( 6,2#)			
6,0	HD-S			6,3# ( 6,3#)			
	HD-SL			7,4# ( 7,4#)		5,1# (5,1#)	
	S-HD			7,4# ( 7,4#)		5,1# (5,1#)	
4,5	HD-S			7,4# ( 7,4#)		5,2# (5,2#)	
	HD-SL		10,1# (10,1#)	7,3 ( 8,2#)	5,1 (7,3#)		
	S-HD		10,1# (10,1#)	7,9 ( 8,2#)	5,6 (7,3#)		
3,0	HD-S		10,2# (10,2#)	7,7 ( 8,3#)	5,4 (7,3#)		
	HD-SL		10,3 (12,6#)	6,8 ( 9,3#)	4,9 (7,8#)		
	S-HD		11,4 (12,6#)	7,4 ( 9,3#)	5,3 (7,8#)		
1,5	HD-S		11,0 (12,7#)	7,2 ( 9,4#)	5,2 (7,8#)		
	HD-SL		9,5 (14,5#)	6,4 (10,3#)	4,6 (7,7 )		
	S-HD		10,5 (14,5#)	7,0 (10,3#)	5,1 (7,7 )		
0	HD-S		10,2 (14,5#)	6,8 (10,4#)	5,0 (8,3#)		
	HD-SL	6,7# ( 6,7#)	9,1 (15,0#)	6,1 (10,5 )	4,5 (7,5 )		
	S-HD	6,7# ( 6,7#)	10,1 (15,0#)	6,7 (10,5 )	4,9 (7,5 )		
-1,5	HD-S	12,0# (12,0#)	9,0 (14,4#)	6,0 (10,4 )	4,4 (7,4 )		
	HD-SL	12,0# (12,0#)	10,1 (14,4#)	6,6 (10,4 )	4,9 (7,5 )		
	S-HD	12,1# (12,1#)	9,7 (14,3#)	6,4 (10,7#)	4,8 (8,3 )		
-3,0	HD-S	17,3# (17,3#)	9,2 (12,8#)	6,0 (9,7#)			
	HD-SL	17,3# (17,3#)	10,2 (12,8#)	6,7 (9,7#)			
	S-HD	17,2# (17,2#)	9,9 (12,8#)	6,5 (9,6#)			
-4,5	HD-S		9,5 ( 9,9#)				
	HD-SL		9,9# ( 9,9#)				
	S-HD		9,8# ( 9,8#)				
-6,0	HD-S						
	HD-SL						
	S-HD						
-7,5	HD-S						
	HD-SL						
	S-HD						

## Stick 3,10 m

Height (m)	Under-carriage	Radius of load from centerline of machine (m)					
		3,0	4,5	6,0	7,5	9,0	10,5
10,5	HD-S						
	HD-SL						
	S-HD						
9,0	HD-S						
	HD-SL						
	S-HD						
7,5	HD-S						
	HD-SL						
	S-HD						
6,0	HD-S				5,3 (5,4#)		
	HD-SL				5,4# (5,4#)		
	S-HD				5,5# (5,5#)		
4,5	HD-S			7,4 ( 7,5#)	5,2 (6,7#)		
	HD-SL			7,5# ( 7,5#)	5,6 (6,7#)		
	S-HD			7,5# ( 7,5#)	5,5 (6,7#)		
3,0	HD-S	14,0# (14,0#)	10,6 (11,4#)	6,9 ( 8,7#)	4,9 (7,3#)	3,6 (4,6#)	
	HD-SL	14,0# (14,0#)	11,4# (11,4#)	7,6 ( 8,7#)	5,4 (7,3#)	4,0 (4,6#)	
	S-HD	12,9# (12,9#)	11,3 (11,5#)	7,4 ( 8,8#)	5,2 (7,3#)	3,9 (4,7#)	
1,5	HD-S	5,4# ( 5,4#)	9,7 (13,7#)	6,4 ( 9,9#)	4,6 (7,7 )	3,5 (5,4#)	
	HD-SL	5,4# ( 5,4#)	10,7 (13,7#)	7,1 ( 9,9#)	5,1 (7,7 )	3,9 (5,4#)	
	S-HD	5,4# ( 5,4#)	10,3 (13,8#)	6,9 ( 9,9#)	5,0 (7,9#)	3,8 (5,4#)	
0	HD-S	7,4# ( 7,4#)	9,1 (14,8#)	6,1 (10,5 )	4,4 (7,5 )	3,4 (5,0#)	
	HD-SL	7,4# ( 7,4#)	10,2 (14,8#)	6,7 (10,5 )	4,9 (7,5 )	3,8 (5,0#)	
	S-HD	7,5# ( 7,5#)	9,8 (14,8#)	6,5 (10,6#)	4,8 (8,3 )	3,7 (4,9#)	
-1,5	HD-S	10,8# (10,8#)	8,9 (14,7#)	5,9 (10,3 )	4,3 (7,4 )		
	HD-SL	10,8# (10,8#)	10,0 (14,7#)	6,5 (10,3 )	4,8 (7,4 )		
	S-HD	11,0# (11,0#)	9,6 (14,6#)	6,4 (10,7#)	4,7 (8,2 )		
-3,0	HD-S	15,2# (15,2#)	9,0 (13,6#)	5,9 (10,1#)	4,4 (7,4 )		
	HD-SL	15,2# (15,2#)	10,0 (13,6#)	6,5 (10,1#)	4,8 (7,4 )		
	S-HD	15,4# (15,4#)	9,7 (13,5#)	6,4 (10,1#)	4,7 (7,7#)		
-4,5	HD-S	15,4# (15,4#)	9,2 (11,3#)	6,1 ( 8,4#)			
	HD-SL	15,4# (15,4#)	10,3 (11,3#)	6,7 ( 8,4#)			
	S-HD	15,2# (15,2#)	9,9 (11,2#)	6,5 ( 8,3#)			
-6,0	HD-S						
	HD-SL						
	S-HD						
-7,5	HD-S						
	HD-SL						
	S-HD						

## Stick 3,90 m

Height (m)	Under-carriage	Radius of load from centerline of machine (m)					
		3,0	4,5	6,0	7,5	9,0	10,5
10,5	HD-S						
	HD-SL						
	S-HD						
9,0	HD-S						
	HD-SL						
	S-HD						
7,5	HD-S					4,0# (4,0#)	
	HD-SL					4,0# (4,0#)	
	S-HD					4,0# (4,0#)	
6,0	HD-S					4,7# (4,7#)	3,0# (3,0#)
	HD-SL					4,7# (4,7#)	3,0# (3,0#)
	S-HD					4,8# (4,8#)	3,1# (3,1#)
4,5	HD-S					5,3 (5,6#)	3,8 (4,2#)
	HD-SL					5,6# (5,6#)	4,2# (4,2#)
	S-HD					5,6# (5,6#)	4,1 (4,2#)
3,0	HD-S	14,7# (14,7#)	9,8# ( 9,8#)	7,1 ( 7,8#)	5,0 (6,7#)	3,7 (5,1#)	
	HD-SL	14,7# (14,7#)	9,8# ( 9,8#)	7,8# ( 7,8#)	5,5 (6,7#)	4,0 (5,1#)	
	S-HD	15,0# (15,0#)	9,9# ( 9,9#)	7,6 ( 7,8#)	5,3 (6,7#)	4,0 (5,1#)	
1,5	HD-S	9,5# ( 9,5#)	10,0 (12,5#)	6,6 ( 9,1#)	4,7 (7,4#)	3,5 (5,8 )	
	HD-SL	9,5# ( 9,5#)	11,1 (12,5#)	7,2 ( 9,1#)	5,2 (7,4#)	3,9 (5,9 )	
	S-HD	9,3# ( 9,3#)	10,7 (12,6#)	7,0 ( 9,2#)	5,0 (7,4#)	3,8 (6,0#)	
0	HD-S	8,0# ( 8,0#)	9,3 (14,2#)	6,1 (10,2#)	4,4 (7,5 )	3,4 (5,7 )	
	HD-SL	8,0# ( 8,0#)	10,3 (14,2#)	6,8 (10,2#)	4,9 (7,5 )	3,7 (5,7 )	
	S-HD	8,1# ( 8,1#)	10,0 (14,2#)	6,6 (10,2#)	4,8 (8,0#)	3,7 (6,3 )	
-1,5	HD-S	9,9# ( 9,9#)	8,9 (14,7#)	5,9 (10,3 )	4,3 (7,3 )	3,3 (5,6 )	
	HD-SL	9,9# ( 9,9#)	9,9 (14,7#)	6,5 (10,3 )	4,7 (7,3 )	3,6 (5,6 )	
	S-HD	10,0# (10,0#)	9,6 (14,7#)	6,3 (10,6#)	4,6 (8,1 )	3,6 (6,0#)	
-3,0	HD-S	13,0# (13,0#)	8,8 (14,2#)	5,8 (10,1 )	4,2 (7,2 )		
	HD-SL	13,0# (13,0#)	9,8 (14,2#)	6,4 (10,2 )	4,7 (7,3 )		
	S-HD	13,1# (13,1#)	9,5 (14,2#)	6,2 (10,4#)	4,6 (8,0#)		
-4,5	HD-S	17,4# (17,4#)	8,9 (12,6#)	5,8 ( 9,4#)	4,3 (7,0#)		
	HD-SL	17,4# (17,4#)	10,0 (12,6#)	6,5 ( 9,4#)	4,8 (7,0#)		
	S-HD	17,6# (17,6#)	9,7 (12,6#)	6,3 ( 9,3#)	4,7 (6,9#)		
-6,0	HD-S	13,2# (13,2#)	9,3 ( 9,5#)	6,1 ( 6,7#)			
	HD-SL	13,2# (13,2#)	9,5# ( 9,5#)	6,7# ( 6,7#)			
	S-HD		9,3# ( 9,3#)				
-7,5	HD-S						
	HD-SL						
	S-HD						

The lift capacities on the load hook of the Liebherr quick change adapter 66 without attachment are stated in metric tonnes (t), and can be lifted 360° on firm, level supporting surface. Values quoted in brackets are valid for the undercarriage when in longitudinal position. Capacities are valid for 600 mm wide triple grouser pads. Indicated loads are based on ISO 10567 standard and do not exceed 75% of tipping or 87% of hydraulic capacity (indicated via #). Maximum load for the quick change adapter's load hook is 12 t. Without quick change adapter the lift capacities will increase by 330 kg/410 kg\*, without bucket cylinder, link and lever they increase by an additional 410 kg/530 kg\*. Lifting capacity of the excavator is limited by machine stability, hydraulic capacity and maximum permissible load of the load hook.

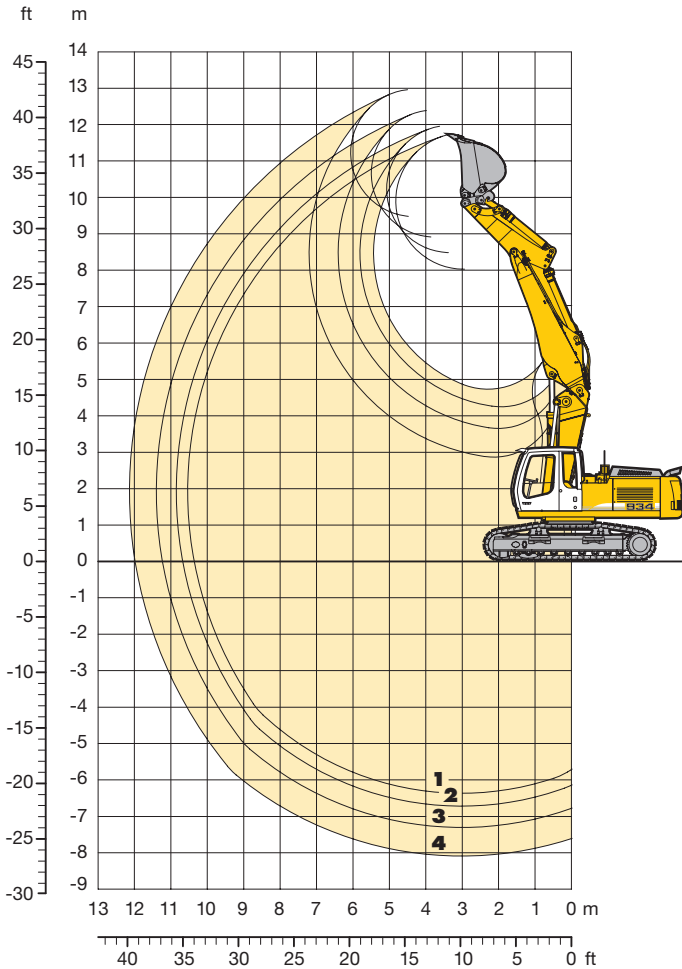
According to European Standard, EN 474-5: In the European Union excavators have to be equipped with an overload warning device, a load diagram and automatic check valves on the hoist cylinders, when they are used for lifting operations which require the use of lifting accessories.

\* capacities only for stick 2,00 m



# Backhoe Attachment

with Hydr. Adjustable Boom 4,20 m



## Digging Envelope with Quick Change Adapter

		1	2	3	4
Stick lengths	m	2,00	2,50	3,10	3,90
Max. digging depth	m	6,36	6,70	7,30	8,10
Max. reach at ground level	m	10,40	10,70	11,25	12,00
Max. dump height	m	8,50	8,50	8,95	9,50
Max. teeth height	m	11,75	12,00	12,40	13,00

## Digging Forces with Quick Change Adapter

		1	2	3	4
Digging force ISO	kN	161	137	119	102
	t	16,4	13,9	12,1	10,4
Breakout force ISO	kN	187	155	155	155
	t	19,1	15,8	15,8	15,8

## without Quick Change Adapter

Digging force ISO	kN	170	146	126	106
	t	17,3	14,9	12,8	10,8
Breakout force ISO	kN	213	184	184	184
	t	22,1	18,8	18,8	18,8

Max. breakout force with ripper bucket

264 kN (27,9 t)

## Operating Weight and Ground Pressure

Operating weight includes basic machine with hydraulically adjustable boom 4,20 m, stick 2,50 m, quick change adapter 66 and bucket 0,95 m<sup>3</sup> (860 kg).

Undercarriage		HD-S			HD-SL			S-HD		
Pad width	mm	500	600	750	500	600	750	500	600	750
Weight	kg	32950	33300	33800	33050	33400	33900	34700	35100	35700
Ground pressure	kg/cm <sup>2</sup>	0,79	0,67	0,54	0,80	0,67	0,54	0,81	0,68	0,55

Optional: heavy counterweight

(Heavy counterweight increases the operating weight by 1000 kg and ground pressure by 0,02 kg/cm<sup>2</sup>)

## Buckets

### without Quick Change Adapter

### with Quick Change Adapter

Cutting width	mm	1050	1250	1400	1550	1550	1050 <sup>1)</sup>	1200 <sup>1)</sup>	1350 <sup>1)</sup>	1500 <sup>1)</sup>	1650 <sup>1)</sup>	1050	1250	1400	1550	1050 <sup>1)</sup>	1200 <sup>1)</sup>	1350 <sup>1)</sup>	1500 <sup>1)</sup>	1650 <sup>1)</sup>	
Capacity ISO 7451	m <sup>3</sup>	0,95	1,15	1,35	1,50	1,80	1,10	1,30	1,50	1,75	1,95	0,95	1,15	1,35	1,50	1,10	1,30	1,50	1,75	1,95	
Max. possible material weight	HD-S	t/m <sup>3</sup>	1,8	1,8	1,8	1,5	1,2	1,8	1,8	1,5	1,2	1,8	1,8	1,5	1,2	1,8	1,5	1,2	1,8	1,5	1,2
	HD-SL	t/m <sup>3</sup>	1,8	1,8	1,8	1,8	1,5	1,8	1,8	1,8	1,5	1,2	1,8	1,8	1,8	1,5	1,8	1,8	1,5	1,2	1,2
	S-HD	t/m <sup>3</sup>	1,8	1,8	1,8	1,8	1,5	1,8	1,8	1,8	1,8	1,5	1,2	1,8	1,8	1,8	1,5	1,8	1,8	1,5	1,2
Weight of STD-bucket with Liebherr teeth Z 16 <sup>2)</sup>	kg	860	960	1020	1080	1160	1210	1290	1380	1470	1600	840	960	1050	1130	1190	1280	1370	1450	1580	
Weight of HD-bucket with Liebherr teeth Z 20 <sup>3)</sup>	kg	1050	1160	1270	1340	-	1250	1350	1440	1520	1660	1100	1210	1320	1410	1280	1360	1480	1560	1710	
<b>Max. stick length for machine stability per ISO 10567:</b>																					
HD-S-Undercarriage	m	3,90	3,10	2,50	2,50	2,50	2,00	2,00	2,00	2,00	-	3,10	2,50	2,50	2,50	2,00	2,00	2,00	-	-	
HD-SL-Undercarriage	m	3,90	3,90	3,10	2,50	2,50	2,00	2,00	2,00	2,00	2,00	3,90	3,10	2,50	2,50	2,00	2,00	2,00	2,00	-	
S-HD-Undercarriage	m	3,90	3,90	3,10	2,50	2,50	2,00	2,00	2,00	2,00	2,00	3,90	3,10	2,50	2,50	2,00	2,00	2,00	2,00	-	

<sup>1)</sup> Backhoe with machine R 944 B Litronic

<sup>2)</sup> Liebherr teeth Z 16 (for applications up to surface class 5, according to VOB, part C, DIN 18300)

<sup>3)</sup> Liebherr teeth Z 20 (for applications over surface class 6, according to VOB, part C, DIN 18300)



# Lift Capacities

## with Hydr. Adjustable Boom 4,20 m

### Stick 2,00 m

Height (m)	Under-carriage	Radius of load from centerline of machine (m)					
		3,0	4,5	6,0	7,5	9,0	10,5
10,5	HD-S						
	HD-SL						
	S-HD						
9,0	HD-S		9,0# (9,0#)				
	HD-SL		9,0# (9,0#)				
	S-HD		9,1# (9,1#)				
7,5	HD-S		10,4# (10,4#)	7,7 (8,8#)			
	HD-SL		10,4# (10,4#)	8,3# (8,8#)			
	S-HD		10,4# (10,4#)	8,1 (8,8#)			
6,0	HD-S	16,8# (16,8#)	11,5 (11,6#)	7,6 (9,1#)	4,9 (7,6#)		
	HD-SL	16,8# (16,8#)	11,6# (11,6#)	8,1 (9,1#)	5,4 (7,6#)		
	S-HD	16,9# (16,9#)	11,6# (11,6#)	8,0# (9,1#)	5,3 (7,6#)		
4,5	HD-S	16,9# (16,9#)	10,9 (12,9#)	7,4# (9,6#)	4,9 (7,7#)		
	HD-SL	16,9# (16,9#)	11,7 (12,9#)	7,9 (9,6#)	5,4 (7,7#)		
	S-HD	17,3# (17,3#)	11,4 (13,0#)	7,7 (9,6#)	5,3 (7,7#)		
3,0	HD-S	16,6# (16,6#)	10,6 (13,7#)	7,2 (10,0#)	4,8 (7,6)		
	HD-SL	16,6# (16,6#)	11,3 (13,7#)	7,8 (10,0#)	5,2 (7,6#)		
	S-HD	16,1# (16,1#)	11,1 (13,6#)	7,6 (10,0#)	5,1 (7,8#)		
1,5	HD-S	18,9# (18,9#)	10,6 (13,8#)	6,9 (10,0#)	4,5 (7,7)		
	HD-SL	18,9# (18,9#)	11,4 (13,8#)	7,6 (10,0#)	4,9 (7,7#)		
	S-HD	18,8# (18,8#)	11,1 (13,8#)	7,4 (10,0#)	4,8 (7,8#)		
0	HD-S	18,2 (21,0#)	9,8 (14,0#)	6,5 (10,1#)	4,2 (7,3)		
	HD-SL	20,9 (21,0#)	10,9 (14,0#)	7,1 (10,1#)	4,6 (7,3)		
	S-HD	19,7 (21,2#)	10,5 (14,0#)	6,9 (10,1#)	4,5 (7,9#)		
-1,5	HD-S	17,9 (23,0#)	9,3 (14,4#)	5,9 (10,4#)	3,9 (7,0)		
	HD-SL	20,5 (23,0#)	10,4 (14,4#)	6,6 (10,4#)	4,4 (7,1)		
	S-HD	19,3 (23,0#)	10,0 (14,4#)	6,4 (10,4#)	4,3 (7,1#)		
-3,0	HD-S	18,0 (22,3#)	9,0 (13,9#)	5,6 (8,8#)			
	HD-SL	20,6 (22,3#)	10,1 (13,9#)	6,2 (8,8#)			
	S-HD	19,5 (22,3#)	9,7 (13,9#)	6,0 (8,5#)			
-4,5	HD-S	14,9# (14,9#)	7,7# (7,7#)				
	HD-SL	14,9# (14,9#)	7,7# (7,7#)				
	S-HD	14,7# (14,7#)	7,5# (7,5#)				
-6,0	HD-S						
	HD-SL						
	S-HD						
-7,5	HD-S						
	HD-SL						
	S-HD						

### Stick 2,50 m

Height (m)	Under-carriage	Radius of load from centerline of machine (m)					
		3,0	4,5	6,0	7,5	9,0	10,5
10,5	HD-S						
	HD-SL						
	S-HD						
9,0	HD-S		7,2# (7,2#)	4,9# (4,9#)			
	HD-SL		7,2# (7,2#)	4,9# (4,9#)			
	S-HD		7,2# (7,2#)	5,1# (5,1#)			
7,5	HD-S		7,9# (7,9#)	7,5# (7,5#)			
	HD-SL		7,9# (7,9#)	7,5# (7,5#)			
	S-HD		8,0# (8,0#)	7,6# (7,6#)	4,7# (4,7#)		
6,0	HD-S		10,3# (10,3#)	7,8 (8,9#)	5,3 (7,5#)		
	HD-SL		10,3# (10,3#)	8,3 (8,9#)	5,7 (7,5#)		
	S-HD		10,4# (10,4#)	8,1 (8,9#)	5,6 (7,5#)		
4,5	HD-S	18,6# (18,6#)	11,2 (12,6#)	7,5 (9,5#)	5,3 (7,7#)		
	HD-SL	18,6# (18,6#)	12,0# (12,6#)	8,1 (9,5#)	5,8 (7,7#)		
	S-HD	18,9# (18,9#)	11,8# (12,7#)	7,9 (9,5#)	5,6 (7,7#)	3,8 (4,6#)	
3,0	HD-S	17,4# (17,4#)	10,8 (13,9#)	7,4 (10,1#)	5,2 (7,8#)	3,4 (5,8)	
	HD-SL	17,4# (17,4#)	11,6 (13,9#)	7,9 (10,1#)	5,6 (7,8#)	3,8 (5,8)	
	S-HD	16,6# (16,6#)	11,3 (13,9#)	7,8# (10,1#)	5,5 (8,0#)	3,7 (6,4)	
1,5	HD-S	18,1# (18,1#)	10,8 (14,0#)	7,3 (10,2#)	4,9 (7,7)	3,2 (5,6)	
	HD-SL	18,1# (18,1#)	11,6 (14,0#)	7,8 (10,2#)	5,3 (7,8)	3,6 (5,7)	
	S-HD	18,3# (18,3#)	11,3 (14,0#)	7,7 (10,2#)	5,2 (8,0#)	3,5 (6,3)	
0	HD-S	19,0 (20,4#)	10,2 (14,1#)	6,7 (10,2#)	4,5 (7,7)	3,1 (5,5)	
	HD-SL	20,4# (20,4#)	11,3 (14,1#)	7,4 (10,2#)	5,0 (7,7)	3,5 (5,5)	
	S-HD	20,4 (20,4#)	10,9 (14,2#)	7,2 (10,2#)	4,8 (8,0#)	3,4 (6,0#)	
-1,5	HD-S	18,3 (23,1#)	9,6 (14,4#)	6,3 (10,5#)	4,2 (7,3)		
	HD-SL	20,9 (23,1#)	10,7 (14,4#)	7,0 (10,5#)	4,7 (7,4)		
	S-HD	19,7 (23,1#)	10,3 (14,5#)	6,8 (10,5#)	4,5 (7,9#)		
-3,0	HD-S	18,2 (23,1#)	9,4 (14,8#)	5,8 (10,0#)	4,0 (5,9#)		
	HD-SL	20,8 (23,1#)	10,5 (14,8#)	6,5 (10,0#)	4,5 (5,9#)		
	S-HD	19,6 (23,0#)	10,1 (14,8#)	6,3 (9,9#)	4,4 (5,8#)		
-4,5	HD-S	18,2 (19,1#)	9,0 (11,0#)	5,5# (5,5#)			
	HD-SL	19,1# (19,1#)	10,1 (11,0#)	5,5# (5,5#)			
	S-HD	18,9# (18,9#)	9,8 (10,9#)	5,3# (5,3#)			
-6,0	HD-S						
	HD-SL						
	S-HD						
-7,5	HD-S						
	HD-SL						
	S-HD						

### Stick 3,10 m

Height (m)	Under-carriage	Radius of load from centerline of machine (m)					
		3,0	4,5	6,0	7,5	9,0	10,5
10,5	HD-S						
	HD-SL						
	S-HD						
9,0	HD-S			5,4# (5,4#)			
	HD-SL			5,4# (5,4#)			
	S-HD			5,4# (5,4#)			
7,5	HD-S			6,3# (6,3#)	5,2# (5,2#)		
	HD-SL			6,3# (6,3#)	5,2# (5,2#)		
	S-HD			6,3# (6,3#)	5,3# (5,3#)		
6,0	HD-S		7,2# (7,2#)	7,3# (7,3#)	5,4# (6,6#)	3,7 (3,8#)	
	HD-SL		7,2# (7,2#)	7,3# (7,3#)	5,9 (6,6#)	3,8# (3,8#)	
	S-HD		7,3# (7,3#)	7,4# (7,4#)	5,8 (6,7#)	3,9# (3,9#)	
4,5	HD-S	18,0# (18,0#)	11,4 (11,8#)	7,5# (9,0#)	5,4 (7,4#)	3,7 (5,7#)	
	HD-SL	18,0# (18,0#)	11,8# (11,8#)	8,1 (9,0#)	5,9 (7,4#)	4,0 (5,7#)	
	S-HD	18,2# (18,2#)	11,9# (11,9#)	7,9 (9,1#)	5,8 (7,4#)	3,9 (5,6#)	
3,0	HD-S	17,7# (17,7#)	10,8 (13,4#)	7,4 (9,7#)	5,3# (7,7#)	3,6 (5,9)	
	HD-SL	17,7# (17,7#)	11,7 (13,4#)	7,9 (9,7#)	5,8 (7,7#)	3,9 (5,9)	
	S-HD	17,1# (17,1#)	11,4 (13,4#)	7,7 (9,8#)	5,7 (7,7#)	3,9 (6,4#)	
1,5	HD-S	17,9# (17,9#)	10,6 (13,9#)	7,2 (10,1#)	5,1 (7,6)	3,4 (5,7)	
	HD-SL	17,9# (17,9#)	11,4 (13,9#)	7,7 (10,1#)	5,6 (7,6#)	3,8 (5,7)	
	S-HD	17,9# (17,9#)	11,1 (13,9#)	7,6 (10,1#)	5,4 (7,9#)	3,7 (6,3)	
0	HD-S	19,5 (19,6#)	10,4 (14,0#)	6,8 (10,1#)	4,7 (7,7)	3,2 (5,5)	
	HD-SL	19,6# (19,6#)	11,5 (14,0#)	7,5 (10,1#)	5,2 (7,7#)	3,6 (5,6)	
	S-HD	19,8# (19,8#)	11,1 (14,0#)	7,3 (10,1#)	5,1 (7,9#)	3,5 (6,2)	
-1,5	HD-S	18,4 (22,2#)	9,7 (14,2#)	6,4 (10,2#)	4,3 (7,5)	3,0 (5,4)	
	HD-SL	21,1 (22,2#)	10,8 (14,2#)	7,1 (10,2#)	4,8 (7,5)	3,4 (5,4)	
	S-HD	19,9 (22,3#)	10,4 (14,2#)	6,9 (10,2#)	4,7 (8,0#)	3,3 (5,6#)	
-3,0	HD-S	18,1 (23,2#)	9,4 (14,7#)	6,0 (10,5#)	4,0 (7,1)		
	HD-SL	20,7 (23,2#)	10,5 (14,7#)	6,6 (10,5#)	4,5 (7,2)		
	S-HD	19,5 (23,2#)	10,1 (14,7#)	6,5 (10,5#)	4,4 (7,2#)		
-4,5	HD-S	18,2 (22,0#)	9,1 (13,3#)	5,6 (8,1#)			
	HD-SL	20,9 (22,0#)	10,1 (13,3#)	6,3 (8,1#)			
	S-HD	19,7 (21,9#)	9,8 (13,2#)	6,1 (8,0#)			
-6,0	HD-S						
	HD-SL						
	S-HD						
-7,5	HD-S						
	HD-SL						
	S-HD						

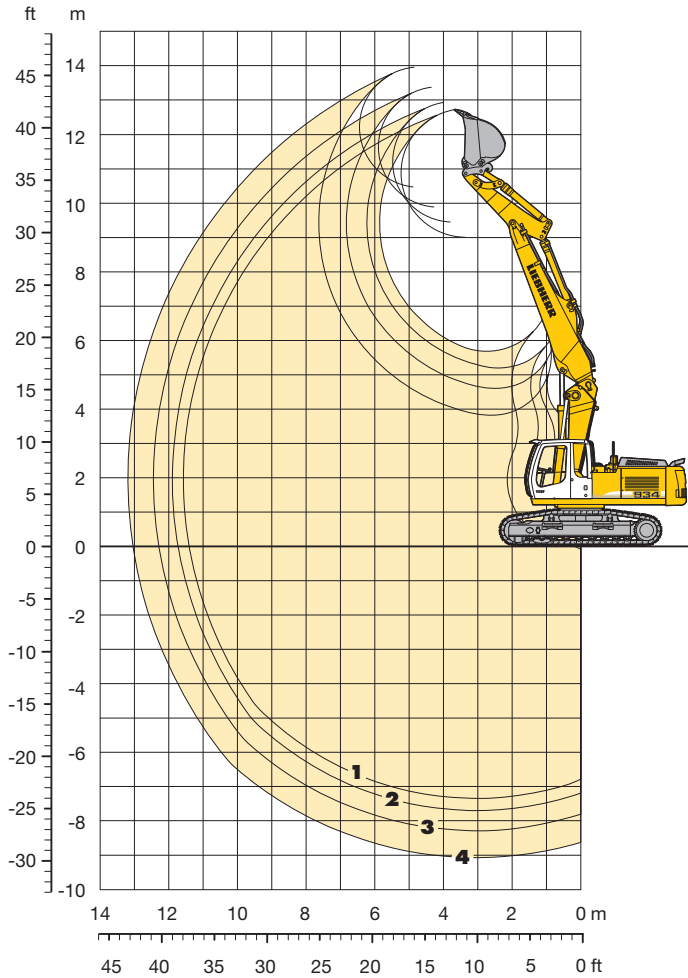
### Stick 3,90 m

Height (m)	Under-carriage	Radius of load from centerline of machine (m)					
		3,0	4,5	6,0	7,5	9,0	10,5
10,5	HD-S			3,7# (3,7#)			
	HD-SL			3,7# (3,7#)			
	S-HD			3,7# (3,7#)			
9,0	HD-S			4,6# (4,6#)	3,7# (3,7#)		
	HD-SL			4,6# (4,6#)	3,7# (3,7#)		
	S-HD			4,6# (4,6#)	3,7# (3,7#)		
7,5	HD-S			4,8# (4,8#)	4,6# (4,6#)	3,0# (3,0#)	
	HD-SL			4,8# (4,8#)	4,6# (4,6#)	3,0# (3,0#)	
	S-HD			4,8# (4,8#)	4,7# (4,7#)	3,1# (3,1#)	
6,0	HD-S			5,4# (5,4#)	5,3# (5,3#)	3,9 (4,4#)	
	HD-SL			5,4# (5,4#)	5,3# (5,3#)	4,2 (4,4#)	
	S-HD			5,4# (5,4#)	5,3# (5,3#)	4,1# (4,4#)	
4,5	HD-S	18,5# (18,5#)	11,0 (12,5#)	7,3 (9,2#)	5,4 (7,4#)	3,8 (5,9#)	2,6 (3,5#)
	HD-SL	18,5# (18,5#)	11,8 (12,5#)	7,9 (9,2#)	5,8# (7,4#)	4,1# (6,0)	2,9 (3,5#)
	S-HD	18,7# (18,7#)	11,5 (12,5#)	7,7 (9,3#)	5,6# (7,4#)	4,0 (6,2#)	2,8 (3,5#)
3,0	HD-S	17,7# (17,7#)	10,6# (13,7#)	7,1 (9,8#)	5,4 (7,6)	3,6 (5,9)	2,5 (3,9#)
	HD-SL	17,7# (17,7#)	11,3 (13,7#)	7,7# (9,8#)	5,7# (7,6#)	4,0# (5,9)	2,7 (3,9#)
	S-HD	17,1# (17,1#)	11,1 (13,7#)	7,5 (9,9#)	5,6# (7,7#)	3,9 (6,3#)	2,7 (3,9#)
0	HD-S	18,5# (18,5#)	10,5 (13,8#)	7,1 (10,0#)	5,0 (7,5#)	3,4 (5,7)	2,3 (3,6#)
	HD-SL	18,5# (18,5#)	11,3 (13,8#)	7,7 (10,0#)	5,5 (7,5)	3,7 (5,7)	2,6 (3,6#)
	S-HD	18,4# (18,4#)	11,0 (13,8#)	7,5 (10,0#)	5,3 (7,7#)	3,6 (6,3)	2,6 (3,6#)
-1,5	HD-S	18,9 (20,8#)	9,9 (13,9#)	6,5 (10,0#)	4,6 (7,6#)	3,1 (5,5)	
	HD-SL	20,8# (20,8#)	11,0 (13,9#)	7,2 (10,0#)	5,1 (7,7)	3,5 (5,5)	
	S-HD	20,3 (20,9#)	10,6 (13,9#)	7,0 (10,0#)	5,0 (7,8#)	3,4 (6,1)	
-3,0	HD-S	18,1 (22,7#)	9,4 (14,2#)	6,2 (10,3#)	4,2 (7,3)	2,9 (5,3)	
	HD-SL	20,7 (22,7#)	10,5 (14,2#)	6,8 (10,3#)	4,6 (7,4)	3,3 (5,3)	
	S-HD	19,5 (22,7#)	10,1 (14,2#)	6,6 (10,3#)	4,5 (7,9#)		



# Backhoe Attachment

with Hydr. Adjustable Boom 5,20 m



## Digging Envelope with Quick Change Adapter

		1	2	3	4
Stick lengths	m	2,00	2,50	3,10	3,90
Max. digging depth	m	7,35	7,70	8,25	9,05
Max. reach at ground level	m	11,40	11,70	12,30	13,05
Max. dump height	m	9,00	9,45	9,90	10,45
Max. teeth height	m	12,70	12,90	13,35	13,95

## Digging Forces with Quick Change Adapter

		1	2	3	4
Digging force ISO	kN	161	137	119	102
	t	16,4	13,9	12,1	10,4
Breakout force ISO	kN	187	155	155	155
	t	19,1	15,8	15,8	15,8

## without Quick Change Adapter

Digging force ISO	kN	170	146	126	106
	t	17,3	14,9	12,8	10,8
Breakout force ISO	kN	213	184	184	184
	t	22,1	18,8	18,8	18,8

Max. breakout force with ripper bucket

264 kN (27,9 t)

## Operating Weight and Ground Pressure

Operating weight includes basic machine with hydraulically adjustable boom 5,20 m, stick 2,50 m, quick change adapter 66 and bucket 0,95 m<sup>3</sup> (860 kg).

Undercarriage		HD-S			HD-SL			S-HD		
Pad width	mm	500	600	750	500	600	750	500	600	750
Weight	kg	33100	33450	33950	33200	33550	34050	34850	35250	35850
Ground pressure	kg/cm <sup>2</sup>	0,80	0,67	0,55	0,80	0,67	0,55	0,81	0,68	0,56

Optional: heavy counterweight

(Heavy counterweight increases the operating weight by 1000 kg and ground pressure by 0,02 kg/cm<sup>2</sup>)

## Buckets

### without Quick Change Adapter

### with Quick Change Adapter

Cutting width	mm	1050	1250	1400	1550	1550	1050 <sup>1)</sup>	1200 <sup>1)</sup>	1350 <sup>1)</sup>	1500 <sup>1)</sup>	1650 <sup>1)</sup>	1050	1250	1400	1550	1050 <sup>1)</sup>	1200 <sup>1)</sup>	1350 <sup>1)</sup>	1500 <sup>1)</sup>	1650 <sup>1)</sup>	
Capacity ISO 7451	m <sup>3</sup>	0,95	1,15	1,35	1,50	1,80	1,10	1,30	1,50	1,75	1,95	0,95	1,15	1,35	1,50	1,10	1,30	1,50	1,75	1,95	
Max. possible material weight	HD-S	t/m <sup>3</sup>	1,8	1,8	1,5	1,2	-	1,8	1,5	1,2	-	1,8	1,5	1,2	-	1,5	1,2	-	-	-	
	HD-SL	t/m <sup>3</sup>	1,8	1,8	1,8	1,5	1,2	1,8	1,8	1,5	1,2	-	1,8	1,8	1,5	1,2	1,8	1,5	1,2	-	-
	S-HD	t/m <sup>3</sup>	1,8	1,8	1,8	1,5	1,2	1,8	1,8	1,5	1,2	-	1,8	1,8	1,5	1,2	1,8	1,5	1,2	-	-
Weight of STD-bucket with Liebherr teeth Z 16 <sup>2)</sup>	kg	860	960	1020	1080	1160	1210	1290	1380	1470	1600	840	960	1050	1130	1190	1280	1370	1450	1580	
Weight of HD-bucket with Liebherr teeth Z 20 <sup>3)</sup>	kg	1050	1160	1270	1340	-	1250	1350	1440	1520	1660	1100	1210	1320	1410	1280	1360	1480	1560	1710	
<b>Max. stick length for machine stability per ISO 10567:</b>																					
HD-S-Undercarriage	m	3,10	2,50	2,50	2,50	-	2,00	2,00	2,00	-	-	2,50	2,50	2,50	-	2,00	2,00	-	-	-	
HD-SL-Undercarriage	m	3,90	3,10	2,50	2,50	2,50	2,00	2,00	2,00	2,00	-	3,10	2,50	2,50	2,50	2,00	2,00	2,00	-	-	
S-HD-Undercarriage	m	3,90	3,10	2,50	2,50	2,50	2,00	2,00	2,00	2,00	-	3,10	2,50	2,50	2,50	2,00	2,00	2,00	-	-	

<sup>1)</sup> Backhoe with machine R 944 B Litronic

<sup>2)</sup> Liebherr teeth Z 16 (for applications up to surface class 5, according to VOB, part C, DIN 18300)

<sup>3)</sup> Liebherr teeth Z 20 (for applications over surface class 6, according to VOB, part C, DIN 18300)



# Lift Capacities

## with Hydr. Adjustable Boom 5,20 m

### Stick 2,00 m

Height (m)	Under-carriage	Radius of load from centerline of machine (m)					
		3,0	4,5	6,0	7,5	9,0	10,5
10,5	HD-S						
	HD-SL						
	S-HD						
9,0	HD-S			7,4# ( 7,4#)	4,8# (4,8#)		
	HD-SL			7,4# ( 7,4#)	4,8# (4,8#)		
	S-HD			7,4# ( 7,4#)	5,0# (5,0#)		
7,5	HD-S		8,8# ( 8,8#)	7,8 ( 8,1#)	5,5 (6,9#)		
	HD-SL		8,8# ( 8,8#)	8,1# ( 8,1#)	5,9 (6,9#)		
	S-HD		8,9# ( 8,9#)	8,1# ( 8,1#)	5,8# (6,9#)		
6,0	HD-S	17,3# (17,3#)	11,2# (11,2#)	7,4 ( 8,6#)	5,4 (7,1#)		3,7 (6,0 )
	HD-SL	17,3# (17,3#)	11,2# (11,2#)	8,0 ( 8,6#)	5,8 (7,1#)		4,1 (6,0#)
	S-HD	17,6# (17,6#)	11,3# (11,3#)	7,8 ( 8,6#)	5,7# (7,1#)		4,0 (6,1#)
4,5	HD-S		10,5# (12,9#)	7,2 ( 9,2#)	5,3 (7,4#)		3,7 (5,9 )
	HD-SL		11,3# (12,9#)	7,7 ( 9,2#)	5,7 (7,4#)		4,0 (5,9#)
	S-HD	12,3# (12,3#)	11,0# (12,7#)	7,5 ( 9,3#)	5,6 (7,4#)		3,9 (6,2#)
3,0	HD-S	12,3# (12,3#)	10,2 (12,1#)	7,0 ( 9,7#)	5,2 (7,4 )		3,5 (5,8 )
	HD-SL	12,3# (12,3#)	10,9 (12,1#)	7,4 ( 9,7#)	5,6 (7,4 )		3,9 (5,9#)
	S-HD	11,4# (11,4#)	10,7 (12,2#)	7,3 ( 9,7#)	5,5# (7,6#)		3,8 (6,2 )
1,5	HD-S	8,2# ( 8,2#)	10,1# (12,9#)	6,9 ( 9,8#)	5,0 (7,3#)		3,4 (5,8 )
	HD-SL	8,2# ( 8,2#)	11,0 (12,9#)	7,4# ( 9,8#)	5,5 (7,4 )		3,8 (5,8 )
	S-HD	8,2# ( 8,2#)	10,7# (13,0#)	7,2 ( 9,8#)	5,4 (7,6#)		3,7 (6,2#)
0	HD-S	11,5# (11,5#)	9,7 (13,7#)	6,5 ( 9,8#)	4,7 (7,4 )		3,1 (5,5 )
	HD-SL	11,5# (11,5#)	10,8 (13,7#)	7,2 ( 9,8#)	5,2 (7,4 )		3,5 (5,5 )
	S-HD	11,7# (11,7#)	10,4 (13,7#)	7,0 ( 9,8#)	5,1 (7,6#)		3,4 (6,2 )
-1,5	HD-S	16,1# (16,1#)	9,2 (13,9#)	6,2 (10,0#)	4,3 (7,5 )		3,0 (5,3 )
	HD-SL	16,1# (16,1#)	10,3 (13,9#)	6,8 (10,0#)	4,8 (7,5 )		3,3 (5,3#)
	S-HD	16,2# (16,2#)	9,9 (13,9#)	6,6 (10,0#)	4,7 (7,8#)		3,2 (6,0 )
-3,0	HD-S	17,6 (21,5#)	9,1 (14,4#)	6,0 (10,4#)	4,0 (7,1 )		2,8 (4,2#)
	HD-SL	20,1 (21,5#)	10,1 (14,4#)	6,7 (10,4#)	4,5 (7,1 )		3,2 (4,2#)
	S-HD	19,0 (21,7#)	9,8 (14,4#)	6,5 (10,5#)	4,3 (7,5#)		3,1 (4,1#)
-4,5	HD-S	17,9 (22,1#)	9,1 (14,1#)	5,6 ( 9,2#)	3,8 (5,0#)		
	HD-SL	20,5 (22,1#)	10,2 (14,1#)	6,3 ( 9,2#)	4,3 (5,0#)		
	S-HD	19,4 (22,0#)	9,8 (14,1#)	6,0 ( 8,9#)	4,2 (4,9#)		
-6,0	HD-S	14,6# (14,6#)	8,2# ( 8,2#)				
	HD-SL	14,6# (14,6#)	8,2# ( 8,2#)				
	S-HD	14,4# (14,4#)	7,5# ( 7,5#)				
-7,5	HD-S						
	HD-SL						
	S-HD						

### Stick 2,50 m

Height (m)	Under-carriage	Radius of load from centerline of machine (m)					
		3,0	4,5	6,0	7,5	9,0	10,5
10,5	HD-S						
	HD-SL						
	S-HD						
9,0	HD-S			7,4# ( 7,4#)	4,8# (4,8#)		
	HD-SL			7,4# ( 7,4#)	4,8# (4,8#)		
	S-HD			7,4# ( 7,4#)	5,0# (5,0#)		
7,5	HD-S		8,8# ( 8,8#)	7,8 ( 8,1#)	5,5 (6,9#)		
	HD-SL		8,8# ( 8,8#)	8,1# ( 8,1#)	5,9 (6,9#)		
	S-HD		8,9# ( 8,9#)	8,1# ( 8,1#)	5,8# (6,9#)		
6,0	HD-S	17,3# (17,3#)	11,2# (11,2#)	7,4 ( 8,6#)	5,4 (7,1#)		3,7 (6,0 )
	HD-SL	17,3# (17,3#)	11,2# (11,2#)	8,0 ( 8,6#)	5,8 (7,1#)		4,1 (6,0#)
	S-HD	17,6# (17,6#)	11,3# (11,3#)	7,8 ( 8,6#)	5,7# (7,1#)		4,0 (6,1#)
4,5	HD-S		10,5# (12,9#)	7,2 ( 9,2#)	5,3 (7,4#)		3,7 (5,9 )
	HD-SL		11,3# (12,9#)	7,7 ( 9,2#)	5,7 (7,4#)		4,0 (5,9#)
	S-HD	12,3# (12,3#)	11,0# (12,7#)	7,5 ( 9,3#)	5,6 (7,4#)		3,9 (6,2#)
3,0	HD-S	12,3# (12,3#)	10,2 (12,1#)	7,0 ( 9,7#)	5,2 (7,4 )		3,5 (5,8 )
	HD-SL	12,3# (12,3#)	10,9 (12,1#)	7,4 ( 9,7#)	5,6 (7,4 )		3,9 (5,9#)
	S-HD	11,4# (11,4#)	10,7 (12,2#)	7,3 ( 9,7#)	5,5# (7,6#)		3,8 (6,2 )
1,5	HD-S	8,2# ( 8,2#)	10,1# (12,9#)	6,9 ( 9,8#)	5,0 (7,3#)		3,4 (5,8 )
	HD-SL	8,2# ( 8,2#)	11,0 (12,9#)	7,4# ( 9,8#)	5,5 (7,4 )		3,8 (5,8 )
	S-HD	8,2# ( 8,2#)	10,7# (13,0#)	7,2 ( 9,8#)	5,4 (7,6#)		3,7 (6,2#)
0	HD-S	11,5# (11,5#)	9,7 (13,7#)	6,5 ( 9,8#)	4,7 (7,4 )		3,1 (5,5 )
	HD-SL	11,5# (11,5#)	10,8 (13,7#)	7,2 ( 9,8#)	5,2 (7,4 )		3,5 (5,5 )
	S-HD	11,7# (11,7#)	10,4 (13,7#)	7,0 ( 9,8#)	5,1 (7,6#)		3,4 (6,2 )
-1,5	HD-S	16,1# (16,1#)	9,2 (13,9#)	6,2 (10,0#)	4,3 (7,5 )		3,0 (5,3 )
	HD-SL	16,1# (16,1#)	10,3 (13,9#)	6,8 (10,0#)	4,8 (7,5 )		3,3 (5,3#)
	S-HD	16,2# (16,2#)	9,9 (13,9#)	6,6 (10,0#)	4,7 (7,8#)		3,2 (6,0 )
-3,0	HD-S	17,6 (21,5#)	9,1 (14,4#)	6,0 (10,4#)	4,0 (7,1 )		2,8 (4,2#)
	HD-SL	20,1 (21,5#)	10,1 (14,4#)	6,7 (10,4#)	4,5 (7,1 )		3,2 (4,2#)
	S-HD	19,0 (21,7#)	9,8 (14,4#)	6,5 (10,5#)	4,3 (7,5#)		3,1 (4,1#)
-4,5	HD-S	17,9 (22,1#)	9,1 (14,1#)	5,6 ( 9,2#)	3,8 (5,0#)		
	HD-SL	20,5 (22,1#)	10,2 (14,1#)	6,3 ( 9,2#)	4,3 (5,0#)		
	S-HD	19,4 (22,0#)	9,8 (14,1#)	6,0 ( 8,9#)	4,2 (4,9#)		
-6,0	HD-S	14,6# (14,6#)	8,2# ( 8,2#)				
	HD-SL	14,6# (14,6#)	8,2# ( 8,2#)				
	S-HD	14,4# (14,4#)	7,5# ( 7,5#)				
-7,5	HD-S						
	HD-SL						
	S-HD						

### Stick 3,10 m

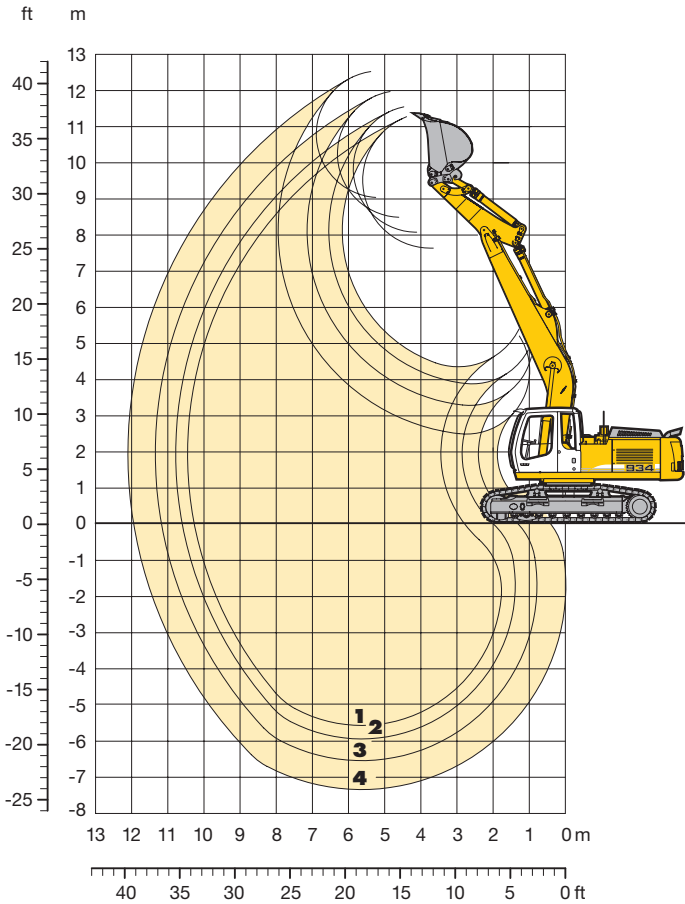
Height (m)	Under-carriage	Radius of load from centerline of machine (m)					
		3,0	4,5	6,0	7,5	9,0	10,5
10,5	HD-S			5,3# ( 5,3#)			
	HD-SL			5,3# ( 5,3#)			
	S-HD			5,3# ( 5,3#)			
9,0	HD-S			6,1# ( 6,1#)	5,3# (5,3#)		
	HD-SL			6,1# ( 6,1#)	5,3# (5,3#)		
	S-HD			6,1# ( 6,1#)	5,4# (5,4#)		
7,5	HD-S			6,8# ( 6,8#)	5,5 (6,5#)	3,8 (4,8#)	
	HD-SL			6,8# ( 6,8#)	6,0 (6,5#)	4,2 (4,8#)	
	S-HD			6,8# ( 6,8#)	5,8# (6,5#)	4,1 (4,9#)	
6,0	HD-S		9,8# ( 9,8#)	7,5 ( 8,1#)	5,4 (6,8#)	3,9 (5,8#)	
	HD-SL		9,8# ( 9,8#)	8,1 ( 8,1#)	5,8 (6,8#)	4,2 (5,8#)	
	S-HD	12,4# (12,4#)	10,1# (10,1#)	7,9 ( 8,2#)	5,7 (6,8#)	4,1 (5,8#)	
4,5	HD-S	15,0# (15,0#)	10,7# (12,1#)	7,2# ( 8,8#)	5,3 (7,1#)	3,9 (5,9 )	2,5 (4,4 )
	HD-SL	15,0# (15,0#)	11,4# (12,1#)	7,7 ( 8,8#)	5,6 (7,1#)	4,2# (5,9 )	2,8 (4,5 )
	S-HD	14,7# (14,7#)	11,2# (12,2#)	7,5# ( 8,9#)	5,5# (7,1#)	4,2 (6,0#)	2,8 (4,5#)
3,0	HD-S	10,3# (10,3#)	10,1 (12,4#)	7,0 ( 9,5#)	5,1 (7,4 )	3,8 (5,8 )	2,5 (4,4 )
	HD-SL	10,3# (10,3#)	11,0# (12,4#)	7,4 ( 9,5#)	5,5 (7,4#)	4,1 (5,8 )	2,8 (4,4 )
	S-HD	13,0# (13,0#)	10,6# (12,4#)	7,3 ( 9,5#)	5,4 (7,4#)	4,0 (6,1#)	2,7 (4,9 )
1,5	HD-S	12,0# (12,0#)	10,0 (12,6#)	6,8 ( 9,7#)	5,1 (7,3 )	3,6 (5,7 )	2,4 (4,3 )
	HD-SL	12,0# (12,0#)	10,8# (12,6#)	7,3 ( 9,7#)	5,4# (7,3 )	3,9 (5,7 )	2,7 (4,3 )
	S-HD	11,8# (11,8#)	10,5 (12,6#)	7,2 ( 9,7#)	5,4 (7,5#)	3,9 (6,1#)	2,6 (4,8 )
0	HD-S	11,7# (11,7#)	9,9 (13,3#)	6,6 ( 9,7#)	4,8 (7,3#)	3,3 (5,7 )	2,2 (4,1 )
	HD-SL	11,7# (11,7#)	10,9# (13,3#)	7,3 ( 9,7#)	5,2 (7,3#)	3,7 (5,7 )	2,5 (4,1 )
	S-HD	11,8# (11,8#)	10,6 (13,4#)	7,1 ( 9,7#)	5,1 (7,5#)	3,6 (6,1 )	2,5 (4,6 )
-1,5	HD-S	14,5# (14,5#)	9,3 (13,7#)	6,2 ( 9,8#)	4,5 (7,5#)	3,0 (5,4 )	
	HD-SL	14,5# (14,5#)	10,4 (13,7#)	6,8 ( 9,8#)	5,0 (7,5#)	3,4 (5,4 )	
	S-HD	14,7# (14,7#)	10,0 (13,7#)	6,6 ( 9,8#)	4,8 (7,6#)	3,3 (6,0 )	
-3,0	HD-S	17,4 (18,6#)	9,0 (14,0#)	6,0 (10,1#)	4,1 (7,3 )	2,8 (5,2 )	
	HD-SL	18,6# (18,6#)	10,1 (14,0#)	6,6 (10,1#)	4,6 (7,3 )	3,2 (5,2 )	
	S-HD	18,8# (18,8#)	9,7 (14,0#)	6,4 (10,1#)	4,4 (7,8#)	3,1 (5,5#)	
-4,5	HD-S	17,5 (22,5#)	9,0 (14,4#)	5,6 (10,0#)	3,8 (6,7#)		
	HD-SL	20,2 (22,5#)	10,1 (14,4#)	6,3 (10,0#)	4,3 (6,7#)		
	S-HD	19,0 (22,4#)	9,7 (14,4#)	6,1 (10,0#)	4,2 (6,6#)		
-6,0	HD-S	17,9 (19,4#)	8,8 (11,4#)	5,5 ( 6,4#)			
	HD-SL	19,4# (19,4#)	9,9 (11,4#)	6,1 ( 6,4#)			
	S-HD	19,3# (19,3#)	9,5 (11,3#)	6,0 ( 6,3#)			
-7,5	HD-S						
	HD-SL						
	S-HD						

### Stick 3,90 m

Height (m)	Under-carriage	Radius of load from centerline of machine (m)					
		3,0	4,5	6,0	7,5	9,0	10,5
10,5	HD-S					3,7# (3,7#)	
	HD-SL					3,7# (3,7#)	
	S-HD					3,8# (3,8#)	
9,0	HD-S					4,6# (4,6#)	3,5# (3,5#)
	HD-SL					4,6# (4,6#)	3,5# (3,5#)
	S-HD					4,7# (4,7#)	3,5# (3,5#)
7,5	HD-S					5,0# ( 5,0#)	5,1# (5,1#)
	HD-SL					5,0# ( 5,0#)	5,1# (5,1#)
	S-HD					5,0# ( 5,0#)	5,1# (5,1#)
6,0	HD-S					6,0# ( 6,0#)	5,5 (6,0#)
	HD-SL					6,0# ( 6,0#)	5,8 (6,0#)
	S-HD					6,1# ( 6,1#)	5,7 (6,0#)
4,5	HD-S	17,4# (17,4#)	11,0 (11,0#)	7,3# ( 8,3#)	5,3 (6,7#)	4,0 (5,7#)	2,8 (4,6 )
	HD-SL	17,4# (17,4#)	11,0# (11,0#)	7,8# ( 8,3#)	5,7 (6,7#)	4,3 (5,7#)	3,1 (4,6 )
	S-HD	17,6# (17,6#)	11,1# (11,1#)	7,6 ( 8,3#)	5,5# (6,7#)	4,2 (5,7#)	3,0 (5,0#)
3,0	HD-S	13,9# (13,9#)	10,4 (12,7#)	7,0 ( 9,0#)	5,1 (7,1#)	4,0 (5,7 )	2,7 (4,5 )
	HD-SL	13,9# (13,9#)	11,1 (12,7#)	7,5 ( 9,0#)	5,5 (7,1#)	4,2 (5,7 )	3,0 (4,5 )
	S-HD	13,6# (13,6#)	10,8 (12,7#)	7,3 ( 9,1#)	5,4 (7,1#)	4,2 (5,9#)	2,9 (4,9#)
1,5	HD-S	13,6# (13,6#)	10,0 (12,5#)	6,8 ( 9,5#)	5,0 (7,2 )	3,8 (5,6#)	2,5 (4,4 )
	HD-SL	13,6# (13,6#)	10,7 (12,5#)	7,2# (9,5#)	5,4 (7,2 )	4,2 (5,6#)	2,8 (4,4 )
	S-HD	13,8# (13,8#)	10,5 (12,4#)	7,1 ( 9,5#)	5,3# (7,4#)	4,1 (6,0 )	2,8 (4,9 )
0	HD-S	12,7# (12,7#)	9,9# (12,8#)	6,7# ( 9,5#)	4,9 (7,1#)	3,6 (5,6 )	2,4 (4,3 )
	HD-SL	12,7# (12,7#)	10,8 (12,8#)	7,2 ( 9,5#)	5,3 (7,1#)	3,9 (5,7 )	2,7 (4,3 )
	S-HD	12,7# (12,7#					

# Backhoe Attachment

with Straight Gooseneck Boom 6,50 m



## Digging Envelope with Quick Change Adapter

		1	2	3	4
Stick lengths	m	2,00	2,50	3,10	3,90
Max. digging depth	m	5,60	5,95	6,55	7,35
Max. reach at ground level	m	10,25	10,60	11,15	11,95
Max. dump height	m	7,60	8,05	8,45	9,00
Max. teeth height	m	11,30	11,50	11,90	12,50

## Digging Forces with Quick Change Adapter

		1	2	3	4
Digging force ISO	kN	161	137	119	102
	t	16,4	13,9	12,1	10,4
Breakout force ISO	kN	187	155	155	155
	t	19,1	15,8	15,8	15,8

## without Quick Change Adapter

Digging force ISO	kN	170	146	126	106
	t	17,3	14,9	12,8	10,8
Breakout force ISO	kN	213	184	184	184
	t	22,1	18,8	18,8	18,8

Max. breakout force with ripper bucket

264 kN (27,9 t)

## Operating Weight and Ground Pressure

Operating weight includes basic machine with gooseneck boom 6,50 m, stick 2,50 m, quick change adapter 66 and bucket 0,95 m<sup>3</sup> (860 kg).

Undercarriage		HD-S			HD-SL			S-HD		
Pad width	mm	500	600	750	500	600	750	500	600	750
Weight	kg	31150	31500	32000	31250	31600	32100	32900	33300	33900
Ground pressure	kg/cm <sup>2</sup>	0,75	0,63	0,51	0,75	0,63	0,52	0,76	0,64	0,53

Optional: heavy counterweight

(Heavy counterweight increases the operating weight by 1000 kg and ground pressure by 0,02 kg/cm<sup>2</sup>)

## Buckets

### without Quick Change Adapter

### with Quick Change Adapter

Cutting width	mm	1050	1250	1400	1550	1550	1050 <sup>1)</sup>	1200 <sup>1)</sup>	1350 <sup>1)</sup>	1500 <sup>1)</sup>	1650 <sup>1)</sup>	1050	1250	1400	1550	1050 <sup>1)</sup>	1200 <sup>1)</sup>	1350 <sup>1)</sup>	1500 <sup>1)</sup>	1650 <sup>1)</sup>	
Capacity ISO 7451	m <sup>3</sup>	0,95	1,15	1,35	1,50	1,80	1,10	1,30	1,50	1,75	1,95	0,95	1,15	1,35	1,50	1,10	1,30	1,50	1,75	1,95	
Max. possible material weight	HD-S	t/m <sup>3</sup>	1,8	1,8	1,8	1,5	1,2	1,8	1,8	1,8	1,5	1,2	1,8	1,8	1,5	1,8	1,8	1,5	1,2	–	
	HD-SL	t/m <sup>3</sup>	1,8	1,8	1,8	1,8	1,5	1,8	1,8	1,8	1,5	1,2	1,8	1,8	1,8	1,5	1,8	1,8	1,8	1,5	1,2
	S-HD	t/m <sup>3</sup>	1,8	1,8	1,8	1,8	1,5	1,8	1,8	1,8	1,8	1,5	1,2	1,8	1,8	1,8	1,5	1,8	1,8	1,8	1,5
Weight of STD-bucket with Liebherr teeth Z 16 <sup>2)</sup>	kg	860	960	1020	1080	1160	1210	1290	1380	1470	1600	840	960	1050	1130	1190	1280	1370	1450	1580	
Weight of HD-bucket with Liebherr teeth Z 20 <sup>3)</sup>	kg	1050	1160	1270	1340	–	1250	1350	1440	1520	1660	1100	1210	1320	1410	1280	1360	1480	1560	1710	
<b>Max. stick length for machine stability per ISO 10567:</b>																					
HD-S-Undercarriage	m	3,90	3,10	2,50	2,50	2,50	2,00	2,00	2,00	2,00	2,00	3,90	3,10	2,50	2,50	2,00	2,00	2,00	2,00	2,00	
HD-SL-Undercarriage	m	3,90	3,90	3,10	2,50	2,50	2,00	2,00	2,00	2,00	2,00	3,90	3,10	2,50	2,50	2,00	2,00	2,00	2,00	2,00	
S-HD-Undercarriage	m	3,90	3,90	3,10	2,50	2,50	2,00	2,00	2,00	2,00	2,00	3,90	3,10	2,50	2,50	2,00	2,00	2,00	2,00	2,00	

<sup>1)</sup> Backhoe with machine R 944 B Litronic

<sup>2)</sup> Liebherr teeth Z 16 (for applications up to surface class 5, according to VOB, part C, DIN 18300)

<sup>3)</sup> Liebherr teeth Z 20 (for applications over surface class 6, according to VOB, part C, DIN 18300)



# Lift Capacities

## with Straight Gooseneck Boom 6,50 m

### Stick 2,00 m

Height (m)	Under-carriage	Radius of load from centerline of machine (m)					
		3,0	4,5	6,0	7,5	9,0	10,5
10,5	HD-S						
	HD-SL						
	S-HD						
9,0	HD-S						
	HD-SL						
	S-HD						
7,5	HD-S			7,4 ( 8,2#)			
	HD-SL			8,1 ( 8,2#)			
	S-HD			7,9 ( 8,2#)			
6,0	HD-S		10,3# (10,3#)	7,2 ( 8,5#)	4,9 (7,5#)		
	HD-SL		10,3# (10,3#)	7,8 ( 8,5#)	5,4 (7,5#)		
	S-HD		10,4# (10,4#)	7,6 ( 8,5#)	5,3 (7,5#)		
4,5	HD-S		10,3 (12,2#)	6,7 ( 9,2#)	4,7 (7,7#)		
	HD-SL		11,4 (12,2#)	7,4 ( 9,2#)	5,2 (7,7#)		
	S-HD		11,0 (12,3#)	7,2 ( 9,3#)	5,1 (7,7#)		
3,0	HD-S			6,2 (10,0#)	4,5 (7,5 )		
	HD-SL			6,8 (10,0#)	4,9 (7,6 )		
	S-HD			6,6 (10,1#)	4,8 (8,0#)		
1,5	HD-S			5,8 (10,2 )	4,3 (7,3 )		
	HD-SL			6,4 (10,2 )	4,7 (7,3 )		
	S-HD			6,2 (10,5#)	4,6 (8,1 )		
0	HD-S		8,5 (12,1#)	5,6 ( 9,9 )	4,1 (7,1 )		
	HD-SL		9,5 (12,1#)	6,2 (10,0 )	4,6 (7,2 )		
	S-HD		9,2 (12,3#)	6,1 (10,3#)	4,5 (8,0 )		
-1,5	HD-S		8,6 (11,9#)	5,6 ( 9,5#)	4,1 (7,1 )		
	HD-SL		9,6 (11,9#)	6,2 ( 9,5#)	4,6 (7,2 )		
	S-HD		9,3 (11,8#)	6,0 ( 9,4#)	4,5 (7,3#)		
-3,0	HD-S		8,8 ( 9,6#)	5,7 ( 7,8#)			
	HD-SL		9,6# ( 9,6#)	6,3 ( 7,8#)			
	S-HD		9,5 ( 9,5#)	6,2 ( 7,7#)			
-4,5	HD-S						
	HD-SL						
	S-HD						
-6,0	HD-S						
	HD-SL						
	S-HD						
-7,5	HD-S						
	HD-SL						
	S-HD						

### Stick 2,50 m

Height (m)	Under-carriage	Radius of load from centerline of machine (m)					
		3,0	4,5	6,0	7,5	9,0	10,5
10,5	HD-S						
	HD-SL						
	S-HD						
9,0	HD-S						
	HD-SL						
	S-HD						
7,5	HD-S				7,3# ( 7,3#)		
	HD-SL				7,3# ( 7,3#)		
	S-HD				7,3# ( 7,3#)		
6,0	HD-S					5,1 (7,1#)	
	HD-SL					5,6 (7,1#)	
	S-HD					5,5 (7,2#)	
4,5	HD-S						
	HD-SL	18,5# (18,5#)	10,9 (11,6#)	7,0 (9,0#)	4,9 (7,6#)		
	S-HD	18,5# (18,5#)	11,6# (11,6#)	7,7 (9,0#)	5,4 (7,6#)		
3,0	HD-S						
	HD-SL						
	S-HD						
1,5	HD-S						
	HD-SL						
	S-HD						
0	HD-S						
	HD-SL						
	S-HD						
-1,5	HD-S						
	HD-SL						
	S-HD						
-3,0	HD-S						
	HD-SL						
	S-HD						
-4,5	HD-S						
	HD-SL						
	S-HD						
-6,0	HD-S						
	HD-SL						
	S-HD						
-7,5	HD-S						
	HD-SL						
	S-HD						

### Stick 3,10 m

Height (m)	Under-carriage	Radius of load from centerline of machine (m)					
		3,0	4,5	6,0	7,5	9,0	10,5
10,5	HD-S						
	HD-SL						
	S-HD						
9,0	HD-S						
	HD-SL						
	S-HD						
7,5	HD-S						
	HD-SL						
	S-HD						
6,0	HD-S						
	HD-SL						
	S-HD						
4,5	HD-S						
	HD-SL	15,5# (15,5#)	10,6# (10,6#)	7,2 ( 8,4#)	5,0 (7,2#)	3,7 (5,3#)	
	S-HD	15,7# (15,7#)	10,7# (10,7#)	7,6 ( 8,4#)	5,3 (7,2#)	3,9 (5,3#)	
3,0	HD-S						
	HD-SL						
	S-HD						
1,5	HD-S						
	HD-SL						
	S-HD						
0	HD-S						
	HD-SL						
	S-HD						
-1,5	HD-S						
	HD-SL						
	S-HD						
-3,0	HD-S						
	HD-SL						
	S-HD						
-4,5	HD-S						
	HD-SL						
	S-HD						
-6,0	HD-S						
	HD-SL						
	S-HD						
-7,5	HD-S						
	HD-SL						
	S-HD						

### Stick 3,90 m

Height (m)	Under-carriage	Radius of load from centerline of machine (m)					
		3,0	4,5	6,0	7,5	9,0	10,5
10,5	HD-S						
	HD-SL						
	S-HD						
9,0	HD-S						
	HD-SL						
	S-HD						
7,5	HD-S						
	HD-SL						
	S-HD						
6,0	HD-S						
	HD-SL						
	S-HD						
4,5	HD-S						
	HD-SL						
	S-HD						
3,0	HD-S						
	HD-SL						
	S-HD						
1,5	HD-S						
	HD-SL						
	S-HD						
0	HD-S						
	HD-SL						
	S-HD						
-1,5	HD-S						
	HD-SL						
	S-HD						
-3,0	HD-S						
	HD-SL						
	S-HD						
-4,5	HD-S						
	HD-SL						
	S-HD						
-6,0	HD-S						
	HD-SL						
	S-HD						
-7,5	HD-S						
	HD-SL						
	S-HD						

The lift capacities on the load hook of the Liebherr quick change adapter 66 without attachment are stated in metric tonnes (t), and can be lifted 360° on firm, level supporting surface. Values quoted in brackets are valid for the undercarriage when in longitudinal position. Capacities are valid for 600 mm wide triple grouser pads. Indicated loads are based on ISO 10567 standard and do not exceed 75% of tipping or 87% of hydraulic capacity (indicated via #). Maximum load for the quick change adapter's load hook is 12 t. Without quick change adapter the lift capacities will increase by 330 kg/410 kg\*, without bucket cylinder, link and lever they increase by an additional 410 kg/530 kg\*. Lifting capacity of the excavator is limited by machine stability, hydraulic capacity and maximum permissible load of the load hook.

According to European Standard, EN 474-5: In the European Union excavators have to be equipped with an overload warning device, a load diagram and automatic check valves on the hoist cylinders, when they are used for lifting operations which require the use of lifting accessories.

\* capacities only for stick 2,00 m

# Lift Capacities

with Gooseneck Boom 6,05 m and Heavy Counterweight

## Stick 2,00 m

Height (m)	Under-carriage	Radius of load from centerline of machine (m)					
		3,0	4,5	6,0	7,5	9,0	10,5
10,5	HD-S						
	HD-SL						
	S-HD						
9,0	HD-S						
	HD-SL						
	S-HD						
7,5	HD-S						
	HD-SL						
	S-HD						
6,0	HD-S			7,8# ( 7,8#)			
	HD-SL			7,8# ( 7,8#)			
	S-HD			7,8# ( 7,8#)			
4,5	HD-S		10,8# (10,8#)	7,6 ( 8,6#)	5,4 (7,5#)		
	HD-SL		10,8# (10,8#)	8,3 ( 8,6#)	5,9 (7,5#)		
	S-HD		10,8# (10,8#)	8,1 ( 8,6#)	5,7 (7,5#)		
3,0	HD-S		10,7 (13,1#)	7,1 ( 9,6#)	5,2 (7,9#)		
	HD-SL		11,8 (13,1#)	7,8 ( 9,6#)	5,6 (7,9#)		
	S-HD		11,4 (13,2#)	7,6 ( 9,6#)	5,5 (7,9#)		
1,5	HD-S		10,0 (14,6#)	6,7 (10,4#)	4,9 (8,1 )		
	HD-SL		11,1 (14,6#)	7,4 (10,4#)	5,4 (8,2 )		
	S-HD		10,7 (14,6#)	7,2 (10,4#)	5,3 (8,3#)		
0	HD-S		9,8 (14,6#)	6,5 (10,7#)	4,8 (8,0 )		
	HD-SL		10,8 (14,6#)	7,2 (10,7#)	5,3 (8,0 )		
	S-HD		10,5 (14,6#)	7,0 (10,7#)	5,2 (8,4#)		
-1,5	HD-S	13,0# (13,0#)	9,8 (13,6#)	6,5 (10,3#)			
	HD-SL	13,0# (13,0#)	10,9 (13,6#)	7,1 (10,3#)			
	S-HD	13,3# (13,3#)	10,5 (13,6#)	6,9 (10,3#)			
-3,0	HD-S	15,0# (15,0#)	10,0 (11,8#)	6,6 ( 8,9#)			
	HD-SL	15,0# (15,0#)	11,1 (11,8#)	7,3 ( 8,9#)			
	S-HD	14,9# (14,9#)	10,7 (11,7#)	7,1 ( 8,8#)			
-4,5	HD-S						
	HD-SL						
	S-HD						
-6,0	HD-S						
	HD-SL						
	S-HD						
-7,5	HD-S						
	HD-SL						
	S-HD						

## Stick 2,50 m

Height (m)	Under-carriage	Radius of load from centerline of machine (m)					
		3,0	4,5	6,0	7,5	9,0	10,5
10,5	HD-S						
	HD-SL						
	S-HD						
9,0	HD-S						
	HD-SL						
	S-HD						
7,5	HD-S			6,2# ( 6,2#)			
	HD-SL			6,2# ( 6,2#)			
	S-HD			6,3# ( 6,3#)			
6,0	HD-S			7,4# ( 7,4#)	5,1# (5,1#)		
	HD-SL			7,4# ( 7,4#)	5,1# (5,1#)		
	S-HD			7,4# ( 7,4#)	5,2# (5,2#)		
4,5	HD-S		10,1# (10,1#)	7,9 ( 8,2#)	5,6 (7,3#)		
	HD-SL		10,1# (10,1#)	8,2# ( 8,2#)	6,1 (7,3#)		
	S-HD		10,2# (10,2#)	8,3# ( 8,3#)	5,9 (7,3#)		
3,0	HD-S		11,3 (12,6#)	7,4 ( 9,3#)	5,4 (7,8#)		
	HD-SL		12,4 (12,6#)	8,1 ( 9,3#)	5,8 (7,8#)		
	S-HD		11,9 (12,7#)	7,9 ( 9,4#)	5,7 (7,8#)		
1,5	HD-S		10,4 (14,5#)	7,0 (10,3#)	5,1 (8,3#)		
	HD-SL		11,5 (14,5#)	7,7 (10,3#)	5,6 (8,3#)		
	S-HD		11,1 (14,5#)	7,5 (10,4#)	5,5 (8,3#)		
0	HD-S	6,7# ( 6,7#)	10,0 (15,0#)	6,7 (10,9#)	5,0 (8,1 )		
	HD-SL	6,7# ( 6,7#)	11,1 (15,0#)	7,4 (10,9#)	5,4 (8,2 )		
	S-HD	6,9# ( 6,9#)	10,8 (15,0#)	7,2 (10,9#)	5,3 (8,5#)		
-1,5	HD-S	12,0# (12,0#)	10,0 (14,4#)	6,6 (10,7#)	4,9 (8,1 )		
	HD-SL	12,0# (12,0#)	11,1 (14,4#)	7,3 (10,7#)	5,4 (8,1 )		
	S-HD	12,1# (12,1#)	10,7 (14,3#)	7,1 (10,7#)	5,3 (8,3#)		
-3,0	HD-S	17,3# (17,3#)	10,1 (12,8#)	6,7 ( 9,7#)			
	HD-SL	17,3# (17,3#)	11,2 (12,8#)	7,3 ( 9,7#)			
	S-HD	17,2# (17,2#)	10,8 (12,8#)	7,2 ( 9,6#)			
-4,5	HD-S		9,9# ( 9,9#)				
	HD-SL		9,9# ( 9,9#)				
	S-HD		9,8# ( 9,8#)				
-6,0	HD-S						
	HD-SL						
	S-HD						
-7,5	HD-S						
	HD-SL						
	S-HD						

## Stick 3,10 m

Height (m)	Under-carriage	Radius of load from centerline of machine (m)					
		3,0	4,5	6,0	7,5	9,0	10,5
10,5	HD-S						
	HD-SL						
	S-HD						
9,0	HD-S						
	HD-SL						
	S-HD						
7,5	HD-S						
	HD-SL						
	S-HD						
6,0	HD-S				5,4# (5,4#)		
	HD-SL				5,4# (5,4#)		
	S-HD				5,5# (5,5#)		
4,5	HD-S			7,5# ( 7,5#)	5,7 (6,7#)		
	HD-SL			7,5# ( 7,5#)	6,1 (6,7#)		
	S-HD			7,5# ( 7,5#)	6,0 (6,7#)		
3,0	HD-S	14,0# (14,0#)	11,4# (11,4#)	7,6 ( 8,7#)	5,4 (7,3#)	4,0 (4,6#)	
	HD-SL	14,0# (14,0#)	11,4# (11,4#)	8,2 ( 8,7#)	5,9 (7,3#)	4,4 (4,6#)	
	S-HD	12,9# (12,9#)	11,5# (11,5#)	8,0 ( 8,8#)	5,7 (7,3#)	4,3 (4,7#)	
1,5	HD-S	5,4# ( 5,4#)	10,6 (13,7#)	7,1 ( 9,9#)	5,1 (7,9#)	3,9 (5,4#)	
	HD-SL	5,4# ( 5,4#)	11,7 (13,7#)	7,7 ( 9,9#)	5,6 (7,9#)	4,3 (5,4#)	
	S-HD	5,4# ( 5,4#)	11,3 (13,8#)	7,5 ( 9,9#)	5,5 (7,9#)	4,2 (5,4#)	
0	HD-S	7,4# ( 7,4#)	10,1 (14,8#)	6,7 (10,6#)	4,9 (8,1 )	3,8 (5,0#)	
	HD-SL	7,4# ( 7,4#)	11,2 (14,8#)	7,4 (10,6#)	5,4 (8,1 )	4,2 (5,0#)	
	S-HD	7,5# ( 7,5#)	10,8 (14,8#)	7,2 (10,6#)	5,3 (8,3#)	4,1 (4,9#)	
-1,5	HD-S	10,8# (10,8#)	9,9 (14,7#)	6,6 (10,7#)	4,8 (8,0 )		
	HD-SL	10,8# (10,8#)	11,0 (14,7#)	7,2 (10,7#)	5,3 (8,0 )		
	S-HD	11,0# (11,0#)	10,6 (14,6#)	7,0 (10,7#)	5,2 (8,3#)		
-3,0	HD-S	15,2# (15,2#)	9,9 (13,6#)	6,5 (10,1#)	4,8 (7,7#)		
	HD-SL	15,2# (15,2#)	11,0 (13,6#)	7,2 (10,1#)	5,3 (7,7#)		
	S-HD	15,4# (15,4#)	10,6 (13,5#)	7,0 (10,1#)	5,2 (7,7#)		
-4,5	HD-S	15,4# (15,4#)	10,2 (11,3#)	6,7 ( 8,4#)			
	HD-SL	15,4# (15,4#)	11,3 (11,3#)	7,4 ( 8,4#)			
	S-HD	15,2# (15,2#)	10,9 (11,2#)	7,2 ( 8,3#)			
-6,0	HD-S						
	HD-SL						
	S-HD						
-7,5	HD-S						
	HD-SL						
	S-HD						

## Stick 3,90 m

Height (m)	Under-carriage	Radius of load from centerline of machine (m)					
		3,0	4,5	6,0	7,5	9,0	10,5
10,5	HD-S						
	HD-SL						
	S-HD						
9,0	HD-S						
	HD-SL						
	S-HD						
7,5	HD-S				4,0# (4,0#)		
	HD-SL				4,0# (4,0#)		
	S-HD				4,0# (4,0#)		
6,0	HD-S				4,7# (4,7#)	3,0# (3,0#)	
	HD-SL				4,7# (4,7#)	3,0# (3,0#)	
	S-HD				4,8# (4,8#)	3,1# (3,1#)	
4,5	HD-S				5,6# (5,6#)	4,2# (4,2#)	
	HD-SL				5,6# (5,6#)	4,2# (4,2#)	
	S-HD				5,6# (5,6#)	4,2# (4,2#)	
3,0	HD-S	14,7# (14,7#)	9,8# ( 9,8#)	7,8 ( 7,8#)	5,5 (6,7#)	4,1 (5,1#)	
	HD-SL	14,7# (14,7#)	9,8# ( 9,8#)	7,8# ( 7,8#)	6,0 (6,7#)	4,5 (5,1#)	
	S-HD	15,0# (15,0#)	9,9# ( 9,9#)	7,8# ( 7,8#)	5,8 (6,7#)	4,4 (5,1#)	
1,5	HD-S	9,5# ( 9,5#)	11,0 (12,5#)	7,2 ( 9,1#)	5,2 (7,4#)	3,9 (6,0#)	
	HD-SL	9,5# ( 9,5#)	12,1 (12,5#)	7,9 ( 9,1#)	5,7 (7,4#)	4,3 (6,0#)	
	S-HD	9,3# ( 9,3#)	11,7 (12,6#)	7,7 ( 9,2#)	5,5 (7,4#)	4,2 (6,0#)	
0	HD-S	8,0# ( 8,0#)	10,2 (14,2#)	6,8 (10,2#)	4,9 (8,0#)	3,8 (6,2 )	
	HD-SL	8,0# ( 8,0#)	11,3 (14,2#)	7,5 (10,2#)	5,4 (8,0#)	4,1 (6,2 )	
	S-HD	8,1# ( 8,1#)	10,9 (14,2#)	7,3 (10,2#)	5,3 (8,0#)	4,0 (6,6#)	
-1,5	HD-S	9,9# ( 9,9#)	9,8 (14,7#)	6,5 (10,6#)	4,8 (7,9 )	3,7 (6,1#)	
	HD-SL	9,9# ( 9,9#)	10,9 (14,7#)	7,2 (10,6#)	5,2 (8,0 )	4,0 (6,1#)	
	S-HD	10,0# (10,0#)	10,6 (14,7#)	7,0 (10,6#)	5,1 (8,3#)	4,0 (6,0#)	
-3,0	HD-S	13,0# (13,0#)	9,8 (14,2#)	6,4 (10,4#)	4,7 (7,9 )		
	HD-SL	13,0# (13,0#)	10,8 (14,2#)	7,1 (10,4#)	5,2 (7,9 )		
	S-HD	13,1# (13,1#)	10,5 (14,2#)	6,9 (10,4#)	5,1 (8,0#)		
-4,5	HD-S	17,4# (17,4#)	9,9 (12,6#)	6,5 ( 9,4#)	4,8 (7,0#)		
	HD-SL	17,4# (17,4#)	11,0 (12,6#)	7,2 ( 9,4#)	5,3 (7,0#)		
	S-HD	17,6# (17,6#)	10,6 (12,6#)	7,0 ( 9,3#)	5,2 (6,9#)		
-6,0	HD-S	13,2# (13,2#)	9,5# ( 9,5#)	6,7# ( 6,7#)			
	HD-SL	13,2# (13,2#)	9,5# ( 9,5#)	6,7# ( 6,7#)			
	S-HD		9,3# ( 9,3#)				
-7,5	HD-S						
	HD-SL						
	S-HD						

The lift capacities on the load hook of the Liebherr quick change adapter 66 without attachment are stated in metric tonnes (t), and can be lifted 360° on firm, level supporting surface. Values quoted in brackets are valid for the undercarriage when in longitudinal position. Capacities are valid for 600 mm wide triple grouser pads. Indicated loads are based on ISO 10567 standard and do not exceed 75% of tipping or 87% of hydraulic capacity (indicated via #). Maximum load for the quick change adapter's load hook is 12 t. Without quick change adapter the lift capacities will increase by 330 kg/410 kg\*, without bucket cylinder, link and lever they increase by an additional 410 kg/530 kg\*. Lifting capacity of the excavator is limited by machine stability, hydraulic capacity and maximum permissible load of the load hook.

According to European Standard, EN 474-5: In the European Union excavators have to be equipped with an overload warning device, a load diagram and automatic check valves on the hoist cylinders, when they are used for lifting operations which require the use of lifting accessories.

\* capacities only for stick 2,00 m



# Lift Capacities

with Hydr. Adjustable Boom 4,20 m and Heavy Counterweight

## Stick 2,00 m

Height (m)	Under-carriage	Radius of load from centerline of machine (m)					
		3,0	4,5	6,0	7,5	9,0	10,5
10,5	HD-S						
	HD-SL						
	S-HD						
9,0	HD-S		9,0# (9,0#)				
	HD-SL		9,0# (9,0#)				
	S-HD		9,1# (9,1#)				
7,5	HD-S		10,4# (10,4#)	8,3 (8,8#)			
	HD-SL		10,4# (10,4#)	8,8# (8,8#)			
	S-HD		10,4# (10,4#)	8,6 (8,8#)			
6,0	HD-S	16,8# (16,8#)	11,6# (11,6#)	8,1 (9,1#)	5,4 (7,6#)		
	HD-SL	16,8# (16,8#)	11,6# (11,6#)	8,6 (9,1#)	5,9 (7,6#)		
	S-HD	16,9# (16,9#)	11,6# (11,6#)	8,4 (9,1#)	5,8 (7,6#)		
4,5	HD-S	16,9# (16,9#)	11,5 (12,9#)	7,8 (9,6#)	5,4 (7,7#)		
	HD-SL	16,9# (16,9#)	12,4# (12,9#)	8,4 (9,6#)	5,9 (7,7#)		
	S-HD	17,3# (17,3#)	12,1 (13,0#)	8,2 (9,6#)	5,8 (7,7#)		
3,0	HD-S	16,6# (16,6#)	11,3# (13,7#)	7,7 (10,0#)	5,3 (7,8#)		
	HD-SL	16,6# (16,6#)	12,0# (13,7#)	8,3 (10,0#)	5,8 (7,8#)		
	S-HD	16,1# (16,1#)	11,7# (13,6#)	8,1 (10,0#)	5,6 (7,8#)		
1,5	HD-S	18,9# (18,9#)	11,2 (13,8#)	7,6 (10,0#)	5,0 (7,8#)		
	HD-SL	18,9# (18,9#)	12,0 (13,8#)	8,3 (10,0#)	5,5 (7,8#)		
	S-HD	18,8# (18,8#)	11,7 (13,8#)	8,1 (10,0#)	5,3 (7,8#)		
0	HD-S	20,0 (21,0#)	10,7 (14,0#)	7,1 (10,1#)	4,6 (7,9#)		
	HD-SL	21,0# (21,0#)	11,9 (14,0#)	7,8 (10,1#)	5,1 (7,9#)		
	S-HD	21,2# (21,2#)	11,4 (14,0#)	7,6 (10,1#)	5,0 (7,9#)		
-1,5	HD-S	19,7 (23,0#)	10,3 (14,4#)	6,5 (10,4#)	4,4 (7,2#)		
	HD-SL	22,4 (23,0#)	11,4 (14,4#)	7,2 (10,4#)	4,9 (7,2#)		
	S-HD	21,1 (23,0#)	11,0 (14,4#)	7,0 (10,4#)	4,8 (7,1#)		
-3,0	HD-S	19,8 (22,3#)	9,9 (13,9#)	6,2 (8,8#)			
	HD-SL	22,3# (22,3#)	11,1 (13,9#)	6,9 (8,8#)			
	S-HD	21,3 (22,3#)	10,7 (13,9#)	6,7 (8,5#)			
-4,5	HD-S	14,9# (14,9#)	7,7# (7,7#)				
	HD-SL	14,9# (14,9#)	7,7# (7,7#)				
	S-HD	14,7# (14,7#)	7,5# (7,5#)				
-6,0	HD-S						
	HD-SL						
	S-HD						
-7,5	HD-S						
	HD-SL						
	S-HD						

## Stick 2,50 m

Height (m)	Under-carriage	Radius of load from centerline of machine (m)					
		3,0	4,5	6,0	7,5	9,0	10,5
10,5	HD-S						
	HD-SL						
	S-HD						
9,0	HD-S		7,2# (7,2#)	4,9# (4,9#)			
	HD-SL		7,2# (7,2#)	4,9# (4,9#)			
	S-HD		7,2# (7,2#)	5,1# (5,1#)			
7,5	HD-S		7,9# (7,9#)	7,5# (7,5#)			
	HD-SL		7,9# (7,9#)	7,5# (7,5#)			
	S-HD		8,0# (8,0#)	7,6# (7,6#)	4,7# (4,7#)		
6,0	HD-S	10,3# (10,3#)	8,3# (8,9#)	5,8 (7,5#)			
	HD-SL	10,3# (10,3#)	8,9 (8,9#)	6,2 (7,5#)			
	S-HD	10,4# (10,4#)	8,7 (8,9#)	6,1 (7,5#)			
4,5	HD-S	18,6# (18,6#)	11,9 (12,6#)	8,0 (9,5#)	5,8 (7,7#)		
	HD-SL	18,6# (18,6#)	12,6# (12,6#)	8,6# (9,5#)	6,2 (7,7#)		
	S-HD	18,9# (18,9#)	12,4# (12,7#)	8,4# (9,5#)	6,1# (7,7#)	4,2 (4,6#)	
3,0	HD-S	17,4# (17,4#)	11,5 (13,9#)	7,9 (10,1#)	5,7 (7,9#)	3,8 (6,2)	
	HD-SL	17,4# (17,4#)	12,3 (13,9#)	8,4# (10,1#)	6,1 (7,9#)	4,2 (6,3)	
	S-HD	16,6# (16,6#)	12,0 (13,9#)	8,2# (10,1#)	6,0 (8,0#)	4,1 (6,5#)	
1,5	HD-S	18,1# (18,1#)	11,4 (14,0#)	7,8# (10,2#)	5,3 (8,0#)	3,6 (6,1)	
	HD-SL	18,1# (18,1#)	12,2 (14,0#)	8,3 (10,2#)	5,8 (8,0#)	4,0 (6,2)	
	S-HD	18,3# (18,3#)	11,9 (14,0#)	8,2 (10,2#)	5,7 (8,0#)	3,9 (6,5#)	
0	HD-S	20,4# (20,4#)	11,1 (14,1#)	7,4 (10,2#)	5,0 (8,0#)	3,5 (6,0)	
	HD-SL	20,4# (20,4#)	12,3 (14,1#)	8,1 (10,2#)	5,5 (8,0#)	3,9 (6,0)	
	S-HD	20,4# (20,4#)	11,8 (14,2#)	7,9 (10,2#)	5,3 (8,0#)	3,8 (6,0#)	
-1,5	HD-S	20,1 (23,1#)	10,6 (14,4#)	7,0 (10,5#)	4,7 (7,9#)		
	HD-SL	22,9 (23,1#)	11,7 (14,4#)	7,7 (10,5#)	5,2 (7,9#)		
	S-HD	21,6 (23,1#)	11,3 (14,5#)	7,4 (10,5#)	5,0 (7,9#)		
-3,0	HD-S	20,0 (23,1#)	10,4 (14,8#)	6,5 (10,0#)	4,5 (5,9#)		
	HD-SL	22,7 (23,1#)	11,5 (14,8#)	7,2 (10,0#)	5,0 (5,9#)		
	S-HD	21,4 (23,0#)	11,1 (14,8#)	7,0 (9,9#)	4,9 (5,8#)		
-4,5	HD-S	19,1# (19,1#)	10,0 (11,0#)	5,5# (5,5#)			
	HD-SL	19,1# (19,1#)	11,0# (11,0#)	5,5# (5,5#)			
	S-HD	18,9# (18,9#)	10,7 (10,9#)	5,3# (5,3#)			
-6,0	HD-S						
	HD-SL						
	S-HD						
-7,5	HD-S						
	HD-SL						
	S-HD						

## Stick 3,10 m

Height (m)	Under-carriage	Radius of load from centerline of machine (m)					
		3,0	4,5	6,0	7,5	9,0	10,5
10,5	HD-S						
	HD-SL						
	S-HD						
9,0	HD-S			5,4# (5,4#)			
	HD-SL			5,4# (5,4#)			
	S-HD			5,4# (5,4#)			
7,5	HD-S			6,3# (6,3#)	5,2# (5,2#)		
	HD-SL			6,3# (6,3#)	5,2# (5,2#)		
	S-HD			6,3# (6,3#)	5,3# (5,3#)		
6,0	HD-S		7,2# (7,2#)	7,3# (7,3#)	5,9# (6,6#)	3,8# (3,8#)	
	HD-SL		7,2# (7,2#)	7,3# (7,3#)	6,3 (6,6#)	3,8# (3,8#)	
	S-HD		7,3# (7,3#)	7,4# (7,4#)	6,2 (6,7#)	3,9# (3,9#)	
4,5	HD-S	18,0# (18,0#)	11,8# (11,8#)	8,0 (9,0#)	5,9 (7,4#)	4,1 (5,7#)	
	HD-SL	18,0# (18,0#)	11,8# (11,8#)	8,6 (9,0#)	6,3 (7,4#)	4,4 (5,7#)	
	S-HD	18,2# (18,2#)	11,9# (11,9#)	8,4 (9,1#)	6,2# (7,4#)	4,3 (5,6#)	
3,0	HD-S	17,7# (17,7#)	11,5 (13,4#)	7,8 (9,7#)	5,8 (7,7#)	4,0 (6,3)	
	HD-SL	17,7# (17,7#)	12,4 (13,4#)	8,4 (9,7#)	6,2 (7,7#)	4,3 (6,3#)	
	S-HD	17,1# (17,1#)	12,0 (13,4#)	8,2 (9,8#)	6,1 (7,7#)	4,3 (6,4#)	
1,5	HD-S	17,9# (17,9#)	11,3# (13,9#)	7,7 (10,1#)	5,6 (7,9#)	3,8 (6,2)	
	HD-SL	17,9# (17,9#)	12,1 (13,9#)	8,2 (10,1#)	6,0 (7,9#)	4,2 (6,2#)	
	S-HD	17,9# (17,9#)	11,8 (13,9#)	8,1 (10,1#)	5,9 (7,9#)	4,1 (6,4#)	
0	HD-S	19,6# (19,6#)	11,4 (14,0#)	7,5 (10,1#)	5,2 (7,9#)	3,6 (6,0)	
	HD-SL	19,6# (19,6#)	12,2 (14,0#)	8,2 (10,1#)	5,7 (7,9#)	4,0 (6,1)	
	S-HD	19,8# (19,8#)	11,9 (14,0#)	8,0 (10,1#)	5,5 (7,9#)	3,9 (6,4#)	
-1,5	HD-S	20,2 (22,2#)	10,7 (14,2#)	7,1 (10,2#)	4,8 (8,1#)	3,4 (5,8#)	
	HD-SL	22,2# (22,2#)	11,8 (14,2#)	7,8 (10,2#)	5,3 (8,1#)	3,8 (5,8#)	
	S-HD	21,7 (22,3#)	11,4 (14,2#)	7,5 (10,2#)	5,2 (8,0#)	3,7 (5,6#)	
-3,0	HD-S	19,8 (23,2#)	10,3 (14,7#)	6,6 (10,5#)	4,5 (7,2#)		
	HD-SL	22,6 (23,2#)	11,5 (14,7#)	7,3 (10,5#)	5,0 (7,2#)		
	S-HD	21,3 (23,2#)	11,0 (14,7#)	7,1 (10,5#)	4,9 (7,2#)		
-4,5	HD-S	20,0 (22,0#)	10,0 (13,3#)	6,3 (8,1#)			
	HD-SL	22,0# (22,0#)	11,1 (13,3#)	7,0 (8,1#)			
	S-HD	21,5 (21,9#)	10,7 (13,2#)	6,8 (8,0#)			
-6,0	HD-S						
	HD-SL						
	S-HD						
-7,5	HD-S						
	HD-SL						
	S-HD						

## Stick 3,90 m

Height (m)	Under-carriage	Radius of load from centerline of machine (m)					
		3,0	4,5	6,0	7,5	9,0	10,5
10,5	HD-S			3,7# (3,7#)			
	HD-SL			3,7# (3,7#)			
	S-HD			3,7# (3,7#)			
9,0	HD-S			4,6# (4,6#)	3,7# (3,7#)		
	HD-SL			4,6# (4,6#)	3,7# (3,7#)		
	S-HD			4,6# (4,6#)	3,7# (3,7#)		
7,5	HD-S			4,8# (4,8#)	4,6# (4,6#)	3,0# (3,0#)	
	HD-SL			4,8# (4,8#)	4,6# (4,6#)	3,0# (3,0#)	
	S-HD			4,8# (4,8#)	4,7# (4,7#)	3,1# (3,1#)	
6,0	HD-S			5,4# (5,4#)	5,3# (5,3#)	4,2 (4,4#)	
	HD-SL			5,4# (5,4#)	5,3# (5,3#)	4,4# (4,4#)	
	S-HD			5,4# (5,4#)	5,3# (5,3#)	4,4# (4,4#)	
4,5	HD-S	18,5# (18,5#)	11,7 (12,5#)	7,8 (9,2#)	5,8# (7,4#)	4,1 (6,2#)	2,9 (3,5#)
	HD-SL	18,5# (18,5#)	12,5# (12,5#)	8,4 (9,2#)	6,1 (7,4#)	4,5 (6,2#)	3,2 (3,5#)
	S-HD	18,7# (18,7#)	12,2 (12,5#)	8,2 (9,3#)	6,0 (7,4#)	4,4 (6,2#)	3,1 (3,5#)
3,0	HD-S	17,7# (17,7#)	11,3# (13,7#)	7,7# (9,8#)	5,7# (7,7#)	4,0# (6,2#)	2,8 (3,9#)
	HD-SL	17,7# (17,7#)	12,0 (13,7#)	8,1 (9,8#)	6,1 (7,7#)	4,4 (6,2#)	3,1 (3,9#)
	S-HD	17,1# (17,1#)	11,8# (13,7#)	8,0 (9,8#)	6,0 (7,7#)	4,3 (6,3#)	3,0 (3,9#)
0	HD-S	18,5# (18,5#)	11,2# (13,8#)	7,6 (10,0#)	5,5 (7,7#)	3,8 (6,1)	2,7 (3,6#)
	HD-SL	18,5# (18,5#)	12,0 (13,8#)	8,1 (10,0#)	6,0 (7,7#)	4,1 (6,2)	3,0 (3,6#)
	S-HD	18,4# (18,4#)	11,7 (13,8#)	8,0 (10,0#)	5,8 (7,7#)	4,0 (6,3#)	2,9 (3,6#)
-1,5	HD-S	20,7 (20,8#)	10,9 (13,9#)	7,2 (10,0#)	5,1 (7,8#)	3,5 (5,9)	
	HD-SL	20,8# (20,8#)	12,1 (13,9#)	7,9 (10,0#)	5,6 (7,8#)	3,9 (6,0)	
	S-HD	20,9# (20,9#)	11,6 (13,9#)	7,6 (10,0#)	5,5 (7,8#)	3,8 (6,2#)	
-3,0	HD-S	19,9 (22,7#)	10,4 (14,2#)	6,8 (10,3#)	4,7 (7,9)	3,3 (5,4#)	
	HD-SL	22,7 (22,7#)	11,5 (14,2#)	7,5 (10,3#)	5,		

# Lift Capacities

with Hydr. Adjustable Boom 5,20 m and Heavy Counterweight

## Stick 2,00 m

Height (m)	Under-carriage	Radius of load from centerline of machine (m)					
		3,0	4,5	6,0	7,5	9,0	10,5
10,5	HD-S		8,5# (8,5#)				
	HD-SL		8,5# (8,5#)				
	S-HD		8,6# (8,6#)				
9,0	HD-S		9,9# (9,9#)	8,1# (8,1#)			
	HD-SL		9,9# (9,9#)	8,1# (8,1#)			
	S-HD		9,9# (9,9#)	8,1# (8,1#)			
7,5	HD-S		10,4# (10,4#)	8,0 (8,2#)	5,6 (6,9#)		
	HD-SL		10,4# (10,4#)	8,2# (8,2#)	6,1 (6,9#)		
	S-HD		10,4# (10,4#)	8,2# (8,2#)	6,0 (7,0#)		
6,0	HD-S		11,5 (11,6#)	7,7 (8,7#)	5,6 (7,1#)	3,7 (6,1#)	
	HD-SL		11,6# (11,6#)	8,3# (8,7#)	6,0# (7,1#)	4,1 (6,1#)	
	S-HD		11,6# (11,6#)	8,1# (8,7#)	5,9 (7,1#)	4,0 (6,1#)	
4,5	HD-S		10,7 (11,6#)	7,4 (9,3#)	5,5# (7,3#)	3,7 (6,1#)	
	HD-SL		11,6# (11,6#)	8,0 (9,3#)	5,9 (7,3#)	4,1 (6,1#)	
	S-HD		11,2# (11,7#)	7,8# (9,3#)	5,8 (7,3#)	4,0 (6,1#)	
3,0	HD-S		10,7 (11,7#)	7,3 (9,6#)	5,5 (7,5#)	3,6 (6,0)	
	HD-SL		11,3 (11,7#)	7,7 (9,6#)	5,8 (7,5#)	4,0 (6,0#)	
	S-HD		11,1 (11,8#)	7,6 (9,6#)	5,8 (7,5#)	3,9 (6,1#)	
1,5	HD-S		10,7 (12,8#)	7,2# (9,5#)	5,2 (7,4#)	3,4 (5,9)	
	HD-SL		11,4 (12,8#)	7,7# (9,5#)	5,7 (7,4#)	3,8 (5,9)	
	S-HD		11,1 (12,8#)	7,6 (9,5#)	5,6 (7,4#)	3,7 (6,1#)	
0	HD-S	11,1# (11,1#)	10,2 (13,6#)	6,9 (9,6#)	4,8 (7,5#)	3,2 (5,7)	
	HD-SL	11,1# (11,1#)	11,3 (13,6#)	7,6 (9,6#)	5,3 (7,5#)	3,6 (5,7)	
	S-HD	11,4# (11,4#)	10,9 (13,6#)	7,3 (9,6#)	5,2 (7,5#)	3,5 (6,0#)	
-1,5	HD-S	18,4# (18,4#)	9,9 (13,8#)	6,6 (9,9#)	4,5 (7,7#)	3,1 (5,1#)	
	HD-SL	18,4# (18,4#)	11,0 (13,8#)	7,3 (9,9#)	5,0 (7,7#)	3,5 (5,1#)	
	S-HD	18,6# (18,6#)	10,6 (13,8#)	7,1 (9,9#)	4,8 (7,7#)	3,4 (5,1#)	
-3,0	HD-S	19,1 (22,3#)	9,8 (14,3#)	6,3 (10,1#)	4,2 (6,7#)		
	HD-SL	21,9 (22,3#)	10,9 (14,3#)	7,0 (10,1#)	4,7 (6,7#)		
	S-HD	20,6 (22,3#)	10,5 (14,3#)	6,8 (10,1#)	4,6 (6,7#)		
-4,5	HD-S	19,7 (21,1#)	9,7 (12,6#)	6,0 (7,4#)			
	HD-SL	21,1# (21,1#)	10,8 (12,6#)	6,7 (7,4#)			
	S-HD	21,0# (21,0#)	10,4 (12,5#)	6,5 (7,3#)			
-6,0	HD-S						
	HD-SL						
	S-HD						
-7,5	HD-S						
	HD-SL						
	S-HD						

## Stick 2,50 m

Height (m)	Under-carriage	Radius of load from centerline of machine (m)					
		3,0	4,5	6,0	7,5	9,0	10,5
10,5	HD-S						
	HD-SL						
	S-HD						
9,0	HD-S			7,4# (7,4#)	4,8# (4,8#)		
	HD-SL			7,4# (7,4#)	4,8# (4,8#)		
	S-HD			7,4# (7,4#)	5,0# (5,0#)		
7,5	HD-S		8,8# (8,8#)	8,1# (8,1#)	5,9 (6,9#)		
	HD-SL		8,8# (8,8#)	8,1# (8,1#)	6,3 (6,9#)		
	S-HD		8,9# (8,9#)	8,1# (8,1#)	6,2 (6,9#)		
6,0	HD-S	17,3# (17,3#)	11,2# (11,2#)	7,9 (8,6#)	5,8 (7,1#)	4,1 (6,1#)	
	HD-SL	17,3# (17,3#)	11,2# (11,2#)	8,5 (8,6#)	6,2# (7,1#)	4,5 (6,1#)	
	S-HD	17,6# (17,6#)	11,3# (11,3#)	8,3 (8,6#)	6,1 (7,1#)	4,4 (6,1#)	
4,5	HD-S		11,2 (12,9#)	7,6 (9,2#)	5,7 (7,4#)	4,1 (6,2#)	
	HD-SL		12,0 (12,9#)	8,2 (9,2#)	6,0 (7,4#)	4,4 (6,2#)	
	S-HD	12,3# (12,3#)	11,7 (12,7#)	8,0 (9,3#)	5,9 (7,4#)	4,3 (6,2#)	
3,0	HD-S	12,3# (12,3#)	10,8# (12,1#)	7,4 (9,7#)	5,6 (7,6#)	3,9 (6,1)	
	HD-SL	12,3# (12,3#)	11,7 (12,1#)	7,9# (9,7#)	6,0# (7,6#)	4,3 (6,1#)	
	S-HD	11,4# (11,4#)	11,4# (12,2#)	7,8 (9,7#)	5,8# (7,6#)	4,2 (6,2#)	
1,5	HD-S	8,2# (8,2#)	10,8 (12,9#)	7,4# (9,8#)	5,5 (7,6#)	3,8 (6,1)	
	HD-SL	8,2# (8,2#)	11,5 (12,9#)	7,9 (9,8#)	6,0 (7,6#)	4,2 (6,1#)	
	S-HD	8,2# (8,2#)	11,3 (13,0#)	7,8# (9,8#)	5,9 (7,6#)	4,1 (6,2#)	
0	HD-S	11,5# (11,5#)	10,6 (13,7#)	7,2 (9,8#)	5,2 (6,6#)	3,5 (6,0)	
	HD-SL	11,5# (11,5#)	11,8 (13,7#)	7,9 (9,8#)	5,7 (6,6#)	3,9 (6,0)	
	S-HD	11,7# (11,7#)	11,3 (13,7#)	7,6 (9,8#)	5,6 (6,6#)	3,8 (6,3#)	
-1,5	HD-S	16,1# (16,1#)	10,2 (13,9#)	6,8 (10,0#)	4,8 (8,8#)	3,4 (5,8)	
	HD-SL	16,1# (16,1#)	11,3 (13,9#)	7,5 (10,0#)	5,3 (8,8#)	3,7 (5,8)	
	S-HD	16,2# (16,2#)	10,9 (13,9#)	7,3 (10,0#)	5,2 (7,8#)	3,6 (6,0#)	
-3,0	HD-S	19,3 (21,5#)	10,0 (14,4#)	6,7 (10,4#)	4,5 (7,7#)	3,2 (4,2#)	
	HD-SL	21,5# (21,5#)	11,1 (14,4#)	7,4 (10,4#)	5,0 (7,7#)	3,6 (4,2#)	
	S-HD	20,8 (21,7#)	10,7 (14,4#)	7,1 (10,4#)	4,8 (7,5#)	3,5 (4,1#)	
-4,5	HD-S	19,7 (22,1#)	10,0 (14,1#)	6,3 (9,2#)	4,3 (6,0#)		
	HD-SL	22,1# (22,1#)	11,2 (14,1#)	7,0 (9,2#)	4,8 (6,0#)		
	S-HD	21,2 (22,0#)	10,8 (14,1#)	6,7 (8,9#)	4,7 (4,9#)		
-6,0	HD-S	14,6# (14,6#)	8,2# (8,2#)				
	HD-SL	14,6# (14,6#)	8,2# (8,2#)				
	S-HD	14,4# (14,4#)	7,5# (7,5#)				
-7,5	HD-S						
	HD-SL						
	S-HD						

## Stick 3,10 m

Height (m)	Under-carriage	Radius of load from centerline of machine (m)					
		3,0	4,5	6,0	7,5	9,0	10,5
10,5	HD-S			5,3# (5,3#)			
	HD-SL			5,3# (5,3#)			
	S-HD			5,3# (5,3#)			
9,0	HD-S			6,1# (6,1#)	5,3# (5,3#)		
	HD-SL			6,1# (6,1#)	5,3# (5,3#)		
	S-HD			6,1# (6,1#)	5,4# (5,4#)		
7,5	HD-S			6,8# (6,8#)	6,0 (6,5#)	4,2 (4,8#)	
	HD-SL			6,8# (6,8#)	6,3# (6,5#)	4,6 (4,8#)	
	S-HD			6,8# (6,8#)	6,2 (6,5#)	4,4 (4,9#)	
6,0	HD-S		9,8# (9,8#)	8,0 (8,1#)	5,8 (6,8#)	4,3 (5,8#)	
	HD-SL		9,8# (9,8#)	8,1# (8,1#)	6,2 (6,8#)	4,6 (5,8#)	
	S-HD	12,4# (12,4#)	10,1# (10,1#)	8,2# (8,2#)	6,1 (6,8#)	4,5 (5,8#)	
4,5	HD-S	15,0# (15,0#)	11,4 (12,1#)	7,7 (8,8#)	5,7 (7,1#)	4,2 (6,0#)	2,9 (4,5#)
	HD-SL	15,0# (15,0#)	12,1# (12,1#)	8,2# (8,8#)	6,0 (7,1#)	4,6 (6,0#)	3,2 (4,5#)
	S-HD	14,7# (14,7#)	11,9# (12,2#)	8,0# (8,9#)	5,9# (7,1#)	4,5 (6,0#)	3,1 (4,5#)
3,0	HD-S	10,3# (10,3#)	10,9 (12,4#)	7,4 (9,5#)	5,5 (7,4#)	4,2 (6,1)	2,8 (4,8)
	HD-SL	10,3# (10,3#)	11,6 (12,4#)	7,9 (9,5#)	5,9 (7,4#)	4,5 (6,1)	3,1 (4,8)
	S-HD	13,0# (13,0#)	11,4 (12,4#)	7,8 (9,5#)	5,8 (7,4#)	4,4 (6,1#)	3,1 (5,1#)
1,5	HD-S	12,0# (12,0#)	10,8 (12,6#)	7,3# (9,7#)	5,5 (7,5#)	4,0 (6,0)	2,7 (4,7)
	HD-SL	12,0# (12,0#)	11,5 (12,6#)	7,8# (9,7#)	5,8 (7,5#)	4,4 (6,0)	3,0 (4,7)
	S-HD	11,8# (11,8#)	11,2 (12,6#)	7,6 (9,7#)	5,7 (7,5#)	4,3 (6,1#)	2,9 (5,1#)
0	HD-S	11,7# (11,7#)	10,8 (13,3#)	7,2 (9,7#)	5,3 (7,5#)	3,7 (6,1)	2,6 (4,5)
	HD-SL	11,7# (11,7#)	11,6 (13,3#)	7,8 (9,7#)	5,8 (7,5#)	4,1 (6,1#)	2,9 (4,6)
	S-HD	11,8# (11,8#)	11,3 (13,4#)	7,7 (9,7#)	5,6 (7,5#)	4,0 (6,1#)	2,8 (4,9#)
-1,5	HD-S	14,5# (14,5#)	10,2 (13,7#)	6,8 (9,8#)	5,0 (7,6#)	3,4 (5,9)	
	HD-SL	14,5# (14,5#)	11,4 (13,7#)	7,5 (9,8#)	5,5 (7,6#)	3,8 (5,9)	
	S-HD	14,7# (14,7#)	10,9 (13,7#)	7,3 (9,8#)	5,3 (7,6#)	3,7 (6,2#)	
-3,0	HD-S	18,6# (18,6#)	9,9 (14,0#)	6,6 (10,1#)	4,6 (7,9#)	3,2 (5,6#)	
	HD-SL	18,6# (18,6#)	11,1 (14,0#)	7,3 (10,1#)	5,1 (7,9#)	3,6 (5,6#)	
	S-HD	18,8# (18,8#)	10,7 (14,0#)	7,1 (10,1#)	4,9 (7,8#)	3,5 (5,6#)	
-4,5	HD-S	19,3 (22,5#)	9,9 (14,4#)	6,3 (10,0#)	4,3 (6,7#)		
	HD-SL	22,1 (22,5#)	11,1 (14,4#)	7,0 (10,0#)	4,8 (6,7#)		
	S-HD	20,8 (22,4#)	10,7 (14,4#)	6,8 (10,0#)	4,7 (6,6#)		
-6,0	HD-S	19,4# (19,4#)	9,7 (11,4#)	6,1 (6,4#)			
	HD-SL	19,4# (19,4#)	10,9 (11,4#)	6,4# (6,4#)			
	S-HD	19,3# (19,3#)	10,5 (11,3#)	6,3# (6,3#)			
-7,5	HD-S						
	HD-SL						
	S-HD						

## Stick 3,90 m

Height (m)	Under-carriage	Radius of load from centerline of machine (m)					
		3,0	4,5	6,0	7,5	9,0	10,5
10,5	HD-S				3,7# (3,7#)		
	HD-SL				3,7# (3,7#)		
	S-HD				3,8# (3,8#)		
9,0	HD-S				4,6# (4,6#)	3,5# (3,5#)	
	HD-SL				4,6# (4,6#)	3,5# (3,5#)	
	S-HD				4,7# (4,7#)	3,5# (3,5#)	
7,5	HD-S			5,0# (5,0#)	5,1# (5,1#)	4,4 (4,6#)	
	HD-SL			5,0# (5,0#)	5,1# (5,1#)	4,6 (4,6#)	
	S-HD			5,0# (5,0#)	5,1# (5,1#)	4,4 (4,6#)	
6,0	HD-S		6,0# (6,0#)	5,8 (6,0#)	4,4 (5,4#)	3,1 (3,9#)	
	HD-SL		6,0# (6,0#)	6,0# (6,0#)	4,7 (5,4#)	3,4 (3,9#)	
	S-HD		6,1# (6,1#)	6,0# (6,0#)	4,7 (5,5#)	3,3# (4,0#)	
4,5	HD-S	17,4# (17,4#)	11,0# (11,0#)	7,8 (8,3#)	5,7 (6,7#)	4,3 (5,7#)	3,1 (4,9)
	HD-SL	17,4# (17,4#)	11,0# (11,0#)	8,3# (8,3#)	6,1 (6,7#)	4,6 (5,7#)	3,4# (5,0)
	S-HD	17,6# (17,6#)	11,1# (11,1#)	8,1 (8,3#)	5,9# (6,7#)	4,5# (5,7#)	3,3 (5,0#)
3,0	HD-S	13,9# (13,9#)	10,9 (12,7#)	7,4 (9,0#)	5,5 (7,1#)	4,3 (5,9#)	3,0 (4,9)
	HD-SL	13,9# (13,9#)	11,8 (12,7#)	7,9 (9,0#)	5,8 (7,1#)	4,6 (5,9#)	3,3 (4,9#)
	S-HD	13,6# (13,6#)	11,4 (12,7#)	7,8 (9,1#)	5,7 (7,1#)	4,5# (5,9#)	3,3 (5,0#)
1,5	HD-S	13,6# (13,6#)	10,6# (12,5#)	7,2# (9,5#)	5		



# Lift Capacities

with Straight Gooseneck Boom 6,50 m and Heavy Counterweight

## Stick 2,00 m

Height (m)	Under-carriage	Radius of load from centerline of machine (m)					
		3,0	4,5	6,0	7,5	9,0	10,5
10,5	HD-S						
	HD-SL						
	S-HD						
9,0	HD-S						
	HD-SL						
	S-HD						
7,5	HD-S			8,1 ( 8,2#)			
	HD-SL			8,2# ( 8,2#)			
	S-HD			8,2# ( 8,2#)			
6,0	HD-S		10,3# (10,3#)	7,8 ( 8,5#)	5,4 (7,5#)		
	HD-SL		10,3# (10,3#)	8,5# ( 8,5#)	5,9 (7,5#)		
	S-HD		10,4# (10,4#)	8,3 ( 8,5#)	5,8 (7,5#)		
4,5	HD-S		11,3 (12,2#)	7,4 ( 9,2#)	5,2 (7,7#)		
	HD-SL		12,2# (12,2#)	8,0 ( 9,2#)	5,7 (7,7#)		
	S-HD		12,0 (12,3#)	7,8 ( 9,3#)	5,6 (7,7#)		
3,0	HD-S			6,8 (10,0#)	5,0 (8,0#)		
	HD-SL			7,5 (10,0#)	5,4 (8,0#)		
	S-HD			7,3 (10,1#)	5,3 (8,0#)		
1,5	HD-S			6,4 (10,5#)	4,7 (7,9 )		
	HD-SL			7,1 (10,5#)	5,2 (7,9 )		
	S-HD			6,9 (10,5#)	5,1 (8,2#)		
0	HD-S		9,4 (12,1#)	6,2 (10,3#)	4,6 (7,8 )		
	HD-SL		10,5 (12,1#)	6,9 (10,3#)	5,1 (7,8 )		
	S-HD		10,1 (12,3#)	6,7 (10,3#)	5,0 (8,1#)		
-1,5	HD-S		9,5 (11,9#)	6,2 ( 9,5#)	4,6 (7,4#)		
	HD-SL		10,6 (11,9#)	6,9 ( 9,5#)	5,1 (7,4#)		
	S-HD		10,2 (11,8#)	6,7 ( 9,4#)	5,0 (7,3#)		
-3,0	HD-S		9,6# ( 9,6#)	6,4 ( 7,8#)			
	HD-SL		9,6# ( 9,6#)	7,0 ( 7,8#)			
	S-HD		9,5# ( 9,5#)	6,8 ( 7,7#)			
-4,5	HD-S						
	HD-SL						
	S-HD						
-6,0	HD-S						
	HD-SL						
	S-HD						
-7,5	HD-S						
	HD-SL						
	S-HD						

## Stick 2,50 m

Height (m)	Under-carriage	Radius of load from centerline of machine (m)					
		3,0	4,5	6,0	7,5	9,0	10,5
10,5	HD-S						
	HD-SL						
	S-HD						
9,0	HD-S						
	HD-SL						
	S-HD						
7,5	HD-S			7,3# ( 7,3#)			
	HD-SL			7,3# ( 7,3#)			
	S-HD			7,3# ( 7,3#)			
6,0	HD-S		9,1# ( 9,1#)	8,1 ( 8,2#)		5,6 (7,1#)	
	HD-SL		9,1# ( 9,1#)	8,2# ( 8,2#)		6,1 (7,1#)	
	S-HD		9,2# ( 9,2#)	8,2# ( 8,2#)		6,0 (7,2#)	
4,5	HD-S	18,5# (18,5#)	11,6# (11,6#)	7,7 ( 9,0#)		5,4 (7,6#)	
	HD-SL	18,5# (18,5#)	11,6# (11,6#)	8,3 ( 9,0#)		5,9 (7,6#)	
	S-HD		11,7# (11,7#)	8,1 ( 9,0#)		5,8 (7,6#)	
3,0	HD-S		10,7 (13,8#)	7,1 (10,0#)		5,2 (8,0#)	3,9 (6,0#)
	HD-SL		11,8 (13,8#)	7,8 (10,0#)		5,7 (8,0#)	4,3 (6,0#)
	S-HD		11,3 (13,8#)	7,6 (10,0#)		5,5 (8,0#)	4,2 (6,1#)
1,5	HD-S		9,9 (12,5#)	6,7 (10,6#)		4,9 (8,1 )	3,8 (6,2 )
	HD-SL		11,0 (12,5#)	7,4 (10,6#)		5,4 (8,1 )	4,2 (6,2 )
	S-HD		10,6 (12,4#)	7,2 (10,6#)		5,3 (8,3#)	4,1 (6,8 )
0	HD-S		9,7 (13,2#)	6,5 (10,7#)		4,8 (7,9 )	3,7 (6,1 )
	HD-SL		10,8 (13,2#)	7,1 (10,7#)		5,3 (8,0 )	4,1 (6,2 )
	S-HD		10,4 (13,3#)	6,9 (10,7#)		5,1 (8,3#)	4,0 (6,2#)
-1,5	HD-S	8,8# ( 8,8#)	9,7 (13,0#)	6,4 (10,1#)		4,7 (7,9#)	
	HD-SL	8,8# ( 8,8#)	10,8 (13,0#)	7,1 (10,1#)		5,2 (7,9#)	
	S-HD	9,0# ( 9,0#)	10,4 (12,9#)	6,9 (10,0#)		5,1 (7,8#)	
-3,0	HD-S	12,9# (12,9#)	9,9 (11,0#)	6,5 ( 8,7#)		4,8 (6,6#)	
	HD-SL	12,9# (12,9#)	10,9 (11,0#)	7,1 ( 8,7#)		5,3 (6,6#)	
	S-HD	12,7# (12,7#)	10,6 (10,9#)	7,0 ( 8,6#)		5,2 (6,5#)	
-4,5	HD-S			6,1# ( 6,1#)			
	HD-SL			6,1# ( 6,1#)			
	S-HD			6,0# ( 6,0#)			
-6,0	HD-S						
	HD-SL						
	S-HD						
-7,5	HD-S						
	HD-SL						
	S-HD						

## Stick 3,10 m

Height (m)	Under-carriage	Radius of load from centerline of machine (m)					
		3,0	4,5	6,0	7,5	9,0	10,5
10,5	HD-S						
	HD-SL						
	S-HD						
9,0	HD-S			5,3# ( 5,3#)			
	HD-SL			5,3# ( 5,3#)			
	S-HD			5,4# ( 5,4#)			
7,5	HD-S			6,1# ( 6,1#)	5,0# (5,0#)		
	HD-SL			6,1# ( 6,1#)	5,0# (5,0#)		
	S-HD			6,1# ( 6,1#)	5,1# (5,1#)		
6,0	HD-S			6,8# ( 6,8#)	5,7 ( 6,3#)		
	HD-SL			6,8# ( 6,8#)	6,2 ( 6,3#)		
	S-HD			6,9# ( 6,9#)	6,1 ( 6,3#)	3,4# (3,4#)	
4,5	HD-S	15,5# (15,5#)	10,6# (10,6#)	7,8 ( 8,4#)	5,5 (7,2#)	4,1 ( 5,3#)	
	HD-SL	15,5# (15,5#)	10,6# (10,6#)	8,4# ( 8,4#)	6,0 (7,2#)	4,4 ( 5,3#)	
	S-HD	15,7# (15,7#)	10,7# (10,7#)	8,3 ( 8,4#)	5,8 (7,2#)	4,3 ( 5,3#)	
3,0	HD-S		11,0 (12,8#)	7,3 ( 9,4#)	5,2 (7,7#)	3,9 ( 6,3 )	
	HD-SL		12,1 (12,8#)	7,9 ( 9,4#)	5,7 (7,7#)	4,3 ( 6,4 )	
	S-HD		11,7 (12,9#)	7,7 ( 9,5#)	5,6 (7,7#)	4,2 ( 6,6#)	
1,5	HD-S		10,1 (14,4#)	6,8 (10,3#)	4,9 (8,1#)	3,8 ( 6,2 )	
	HD-SL		11,2 (14,4#)	7,4 (10,3#)	5,4 (8,1#)	4,1 ( 6,2 )	
	S-HD		10,8 (14,4#)	7,2 (10,3#)	5,3 (8,1#)	4,1 ( 6,7#)	
0	HD-S	4,4# ( 4,4#)	9,6 (13,9#)	6,4 (10,6#)	4,7 (7,9 )	3,7 ( 6,1 )	
	HD-SL	4,4# ( 4,4#)	10,7 (13,9#)	7,1 (10,6#)	5,2 (7,9 )	4,0 ( 6,1 )	
	S-HD	4,6# ( 4,6#)	10,3 (14,0#)	6,9 (10,6#)	5,1 (8,3#)	3,9 ( 6,7#)	
-1,5	HD-S	8,1# ( 8,1#)	9,5 (13,7#)	6,3 (10,3#)	4,6 (7,8 )	3,6 ( 6,0 )	
	HD-SL	8,1# ( 8,1#)	10,6 (13,7#)	7,0 (10,3#)	5,1 (7,8 )	4,0 ( 6,0 )	
	S-HD	8,2# ( 8,2#)	10,3 (13,6#)	6,8 (10,3#)	5,0 (8,0#)	3,9 ( 6,2#)	
-3,0	HD-S	12,3# (12,3#)	9,6 (12,0#)	6,3 ( 9,3#)	4,7 (7,1#)		
	HD-SL	12,3# (12,3#)	10,7 (12,0#)	7,0 ( 9,3#)	5,1 (7,1#)		
	S-HD	12,4# (12,4#)	10,4 (11,9#)	6,8 ( 9,2#)	5,0 (7,1#)		
-4,5	HD-S		9,3# ( 9,3#)	6,5 ( 7,3#)			
	HD-SL		9,3# ( 9,3#)	7,2 ( 7,3#)			
	S-HD		9,2# ( 9,2#)	7,0 ( 7,2#)			
-6,0	HD-S						
	HD-SL						
	S-HD						
-7,5	HD-S						
	HD-SL						
	S-HD						

## Stick 3,90 m

Height (m)	Under-carriage	Radius of load from centerline of machine (m)					
		3,0	4,5	6,0	7,5	9,0	10,5
10,5	HD-S						
	HD-SL						
	S-HD						
9,0	HD-S			3,7# ( 3,7#)			
	HD-SL			3,7# ( 3,7#)			
	S-HD			3,7# ( 3,7#)			
7,5	HD-S					3,6# (3,6#)	
	HD-SL					3,6# (3,6#)	
	S-HD					4,5# (4,5#)	2,9# (2,9#)
6,0	HD-S					4,5# (4,5#)	2,8# (2,8#)
	HD-SL					5,0# (5,0#)	4,2# (4,2#)
	S-HD					5,0# (5,0#)	4,2# (4,2#)
4,5	HD-S					6,0# (6,0#)	4,4 ( 5,0#)
	HD-SL					6,2# ( 6,2#)	5,6 ( 5,9#)
	S-HD	16,8# (16,8#)	11,6# (11,6#)	7,9 ( 8,7#)		6,2# ( 6,2#)	5,9# (5,9#)
3,0	HD-S	18,4# (18,4#)	11,5# (11,5#)	7,5 ( 8,7#)		5,7 (7,2#)	4,2 ( 6,0#)
	HD-SL	18,4# (18,4#)	11,5# (11,5#)	8,2 ( 8,7#)		5,3 (7,2#)	4,0 ( 6,0#)
	S-HD	4,5# ( 4,5#)	11,1 (13,6#)	7,4 ( 9,8#)		5,8 (7,2#)	4,3 ( 6,0#)
1,5	HD-S		4,5# ( 4,5#)	10,4 (13,6#)	6,9 ( 9,8#)	5,0 (7,7#)	3,8 ( 6,2 )
	HD-SL		4,5# ( 4,5#)	11,5 (13,6#)	7,6 ( 9,8#)	5,5 (7,7#)	4,1 ( 6,2 )
	S-HD		5,3# ( 5,3#)	10,4 (14,5#)	7,0 (10,4#)	5,1 ( 8,1#)	3,9 ( 6,6#)
0	HD-S	5,2# ( 5,2#)	9,7 (14,5#)	6,5 (10,4#)		4,7 (7,9 )	3,6 ( 6,0 )
	HD-SL	5,2# ( 5,2#)	10,8 (14,5#)	7,2 (10,4#)		5,2 (7,9 )	4,0 ( 6,1 )
	S-HD	7,5# ( 7,5#)	10,2 (14,2#)	6,7 (10,4#)		4,9 (8,1#)	3,8 ( 6,5#)
-1,5	HD-S	7,4# ( 7,4#)	9,5 (14,2#)	6,3 (10,4#)		4,6 (7,7 )	3,5 ( 5,9 )
	HD-SL	7,4# ( 7,4#)	10,5 (14,2#)	6,9 (10,4#)		5,1 (7,8 )	3,9 ( 6,0 )
	S-HD	10,5# (10,5#)	10,2 (13,0#)	6,7 ( 9,8#)		4,9 (7,6#)	3,8 ( 5,8#)
-3,0	HD-S	10,4# (10,4#)	9,4 (13,0#)	6,2 ( 9,8#)		4,5 (7,6#)	3,5 ( 5,8#)
	HD-SL	10,4# (10,4#)	10,5 (13,0#)	6,9 ( 9,8#)		5,0 (7,6#)	3,9 ( 5,8#)
	S-HD	14,4# (14,4#)	10,3 (10,8#)	6,8 ( 8,3#)		5,0 ( 6,3#)	
-4,5	HD-S	14,4# (14,4#)	9,6 (10,9#)	6,3 ( 8,4#)		4,6 ( 6,3#)	
	HD-SL	14,4# (14,4#)	10,7 (10,9#)	6,9 ( 8,4#)		5,1 ( 6,3#)	
	S-HD			5,5# ( 5,5#)			
-6,0	HD-S			5,7# ( 5,7#)			
	HD-SL			5,7# ( 5,7#)			
	S-HD						
-7,5	HD-S						
	HD-SL						
	S-HD						

The lift capacities on the load hook of the Liebherr quick change adapter 66 without attachment are stated in metric tonnes (t), and can be lifted 360° on firm, level supporting surface. Values quoted in brackets are valid for the undercarriage when in longitudinal position. Capacities are valid for 600 mm wide triple grouser pads. Indicated loads are

# Equipment



## Undercarriage

	S	O
Two-stage travel motors	•	
Idler protection	•	
Lifetime lubricated track rollers	•	
Track guide at each track frame	•	
Tracks sealed and greased	•	
Track guides at sprocket and in center	•	•
B 60 or D 6 C sprocket with material ejector	•	•
Reinforced bottom plate of center-piece	•	•
Change kit track B 60 into D 6 C		•



## Uppercarriage

	S	O
Engine hood with lift help and mechanical locking	•	
Lockable tool box	•	
Handrails, non slip surfaces	•	
Tool kit	•	
Maintenance-free swing brake lock	•	
Maintenance-free HD-batteries	•	
Sound insulation	•	
Extended tool kit	•	
Electric fuel tank filler pump		•
Foot pedal swing positioning brake		•
Customized colors		•
Heavy Counterweight		•



## Hydraulics

	S	O
Electronic pump regulation	•	
Stepless work mode selector	•	
Pressure storage for controlled lowering of attachments with engine turned off	•	
Hydraulic tank shut-off valve	•	
Pressure compensation	•	
Flow compensation	•	
Filter with integrated fine filter area (5 µm)	•	
Pressure test ports	•	
Additional hydraulic circuits		•
Bio-degradable hydr. oil		•
Filter for secondary circuit		•
Liebherr Tool Control		•



## Engine

	S	O
Direct injection	•	
Turbo charger	•	
Dry-type air cleaner w/pre-cleaner, main and safety element	•	
Sensor controlled engine idling	•	
Engine cold starting aid		•



## Operator's Cab

	S	O
Load bearing sectional profile structure, covered with deep-drawn panels	•	
Roof right window and windshield armored	•	
All tinted windows	•	
Right window made of one piece (without post)	•	
Door with sliding window	•	
Rain hood over front window opening	•	
Wiper/washer	•	
Emergency exit rear window	•	
Sun roller blind	•	
Seat and consoles independently adjustable (6-way adjustable seat)	•	
Storage tray	•	
Closed storage space	•	
Cloth hook	•	
Removable customized foot mat	•	
Dome light	•	
Inside rear mirror	•	
Cigarette lighter and ashtray	•	
Seat belt	•	
Mechanical hour meters, readable from outside the cab	•	
Displays for engine operating condition	•	
Automatic air conditioning with defroster	•	
Preparation for radio installation	•	
Stereo radio		•
Electric cool box		•
Sun visor		•
Auxiliary heating		•
Additional flood lights		•
Wiper for lower window		•
Roof window wiper		•
Bullet proof window (fixed installation – can not be opened)		•
FOPS Protection		•
Air pressure operator seat with heating and head-rest		•
Electronic drive away lock		•
Beacon		•
Extinguisher		•



## Attachment

	S	O
Semi-automatic central lubrication system (except link and tilt geometry)	•	
Cylinders with shock absorbers	•	
ReGeneration plus	•	
SAE split flanges on all high pressure lines	•	
Work light on boom	•	
Sealed pivots/Y sealant between bucket and stick	•	
12 t lifting hook with safety link on bucket or on quick-coupler	•	
Automatic central lubrication system (except link and tilt geometry)		•
Central lubrication for lever with protection cover		•
Stick sealed (between bucket and stick)		•
Overload warning device		•
Hydr. or mechanical quick change coupler		•
Likufix		•
Piston rod protection		•
Hydraulic lines for additional tools		•
Quick disconnect hose couplers for additional tools		•
Hydr. lines, on stick, for clam operation/two-way selector valves for bucket/clam		•
Bucket link holder for clam application		•
Liebherr line of buckets		•
Liebherr line of clams and grapples		•
Special application buckets		•
Customized colors		•

S = Standard, O = Option

Options and/or special attachments, supplied by vendors other than Liebherr, are only to be installed with the knowledge and approval of Liebherr to retain warranty.

Liebherr-France SAS

2, avenue Joseph Rey, B.P. 90287, F-68005 Colmar Cedex

+33 389 21 30 30, Fax +33 389 21 37 93

www.liebherr.com, E-Mail: info.lfr@liebherr.com