

Crawler Excavator

R 944 C
Litronic®

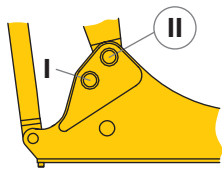
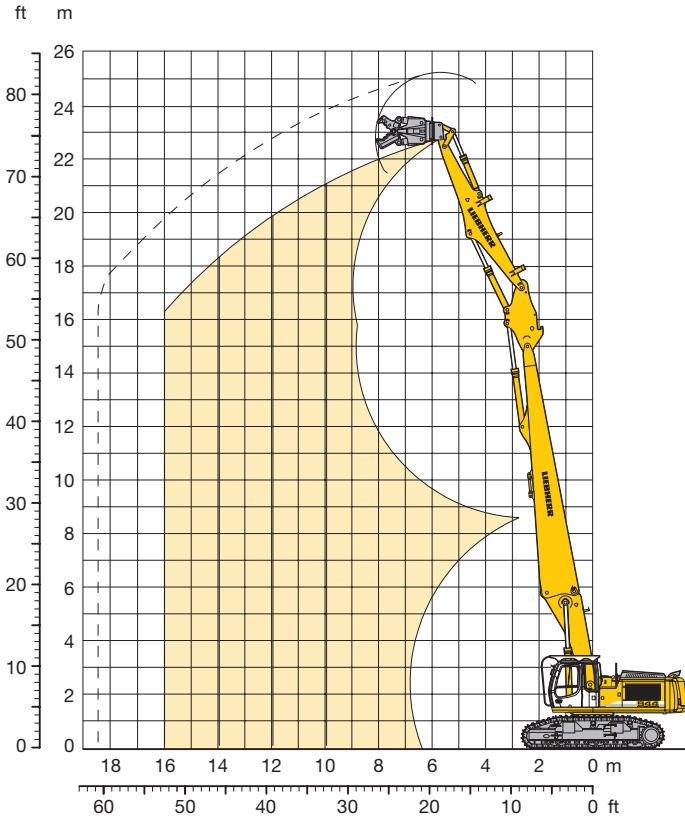
Attachment Information

Liebherr Crawler Excavator
with Demolition Attachment

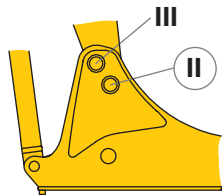


LIEBHERR

Demolition Attachment 23,00 m



Uppercarriage demolition



Uppercarriage demolition with cab tiltable 30°

To order a complete machine you need the following

- Cab for demolition application
- Hydraulic control for rotary drive
- Hydraulic control for hammer/shears with Tool Control and Liebherr-Demolition-Control (LDC)
- Hoist cylinders with regeneration plus and load holding valves
- Basic boom pinned in mounting hole II of boom foot bracket
- Heavy counterweight 9,0 t

For demolition application, following additional items are also required:

- Demolition boom 9,30 m
- Intermediate boom 2,25 m
- Demolition stick 6,30 m with linkage 932 Li
- Tool (backhoe bucket, demolition shears, concrete nibblers, etc.)
- Storage racks for demolition attachment
- Integral protection grid FOPS

Optional

- Cab tiltable 30°
- Integral protection grid for cab on tilting device FOPS
- Counterweight removable
- Hydraulic for removable counterweight
- Storage rack with catwalks
- Hydraulic accessory for quick change adapter on basic boom
- Demolition stick with linkage 922 Li

Reach Limitation

	10 m	12 m	14 m
Demolition boom 9,30 m + Intermediate boom + Demolition stick 6,30 m	Tool weight* in t		
S-HD-Undercarriage	2,25	1,50	1,00
V-Undercarriage	2,50	1,75	1,25
VH-HD-Undercarriage	3,00	2,25	1,75

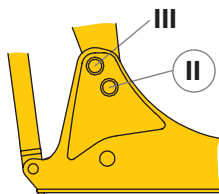
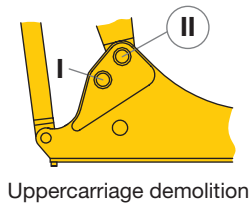
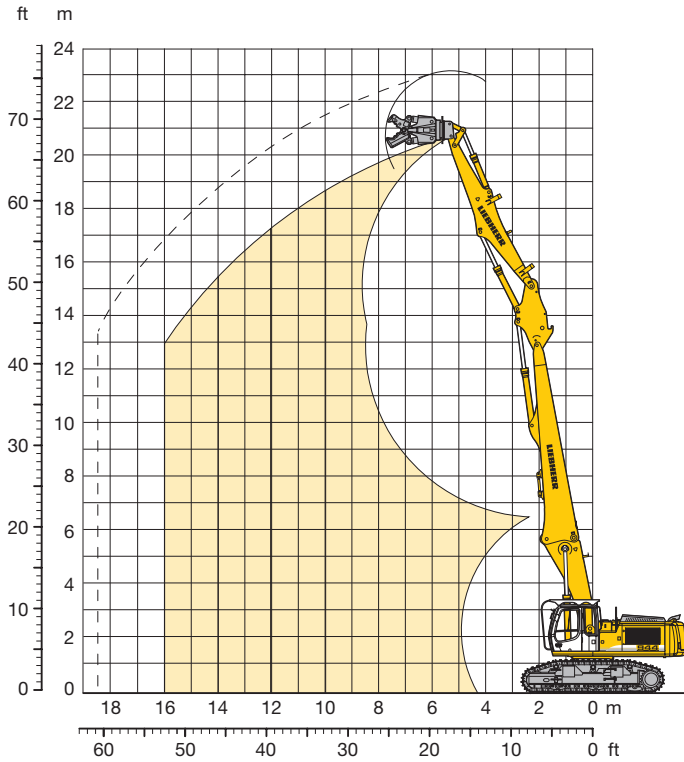
* included quick change adapter, adapter plate and tool

Operating Weight and Ground Pressure

Operating weight includes basic machine with heavy counterweight 9,0 t, demolition boom 9,30 m, intermediate boom, demolition stick 6,30 m and working tool 2,0 t.

Undercarriage		S-HD	V	VH-HD
Pad width	mm	600	600	600
Weight	kg	52700	55700	59400
Ground pressure	kg/cm ²	0,93	0,98	1,05

Demolition Attachment 21,00 m



To order a complete machine you need the following

- Cab for demolition application
- Hydraulic control for rotary drive
- Hydraulic control for hammer/shears with Tool Control and Liebherr-Demolition-Control (LDC)
- Hoist cylinders with regeneration plus and load holding valves
- Basic boom pinned in mounting hole II of boom foot bracket
- Heavy counterweight 9,0 t

For demolition application, following additional items are also required:

- Demolition boom 7,30 m
- Intermediate boom 2,25 m
- Demolition stick 6,30 m with linkage 932 Li
- Tool (backhoe bucket, demolition shears, concrete nibblers, etc.)
- Storage racks for demolition attachment
- Integral protection grid FOPS

Optional

- Cab tiltable 30°
- Integral protection grid for cab on tilting device FOPS
- Counterweight removable
- Hydraulic for removable counterweight
- Storage rack with catwalks
- Hydraulic accessory for quick change adapter on basic boom
- Demolition stick with linkage 922 Li

Reach Limitation

	10 m	12 m	14 m
Demolition boom 7,30 m + Intermediate boom + Demolition stick 6,30 m	Tool weight* in t		
HD-SL-Undercarriage	2,00	1,50	1,00
S-HD-Undercarriage	2,50	1,75	1,25
V-Undercarriage	2,75	2,00	1,50
VH-HD-Undercarriage	3,00	2,50	2,00

* included quick change adapter, adapter plate and tool

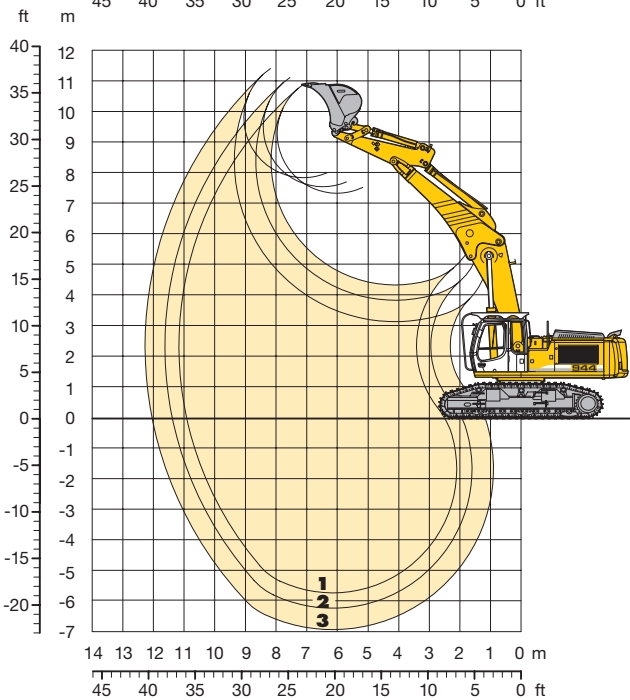
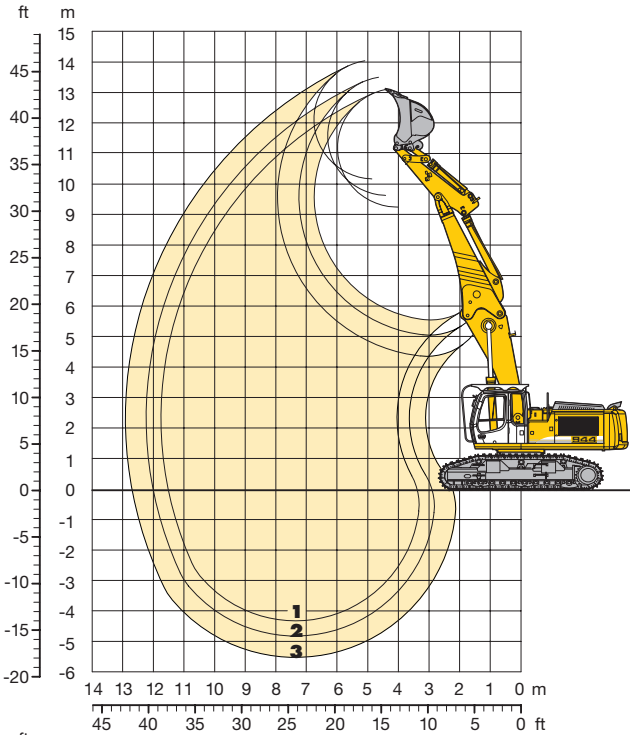
Operating Weight and Ground Pressure

Operating weight includes basic machine with heavy counterweight 9,0 t, demolition boom 7,30 m, intermediate boom, demolition stick 6,30 m and working tool 2,0 t.

Undercarriage		HD-SL	S-HD	V	VH-HD
Pad width	mm	600	600	600	600
Weight	kg	48200	51700	54700	58400
Ground pressure	kg/cm ²	0,93	0,91	0,96	1,03

Backhoe Attachment

with Main Boom 4,30 m



For backhoe application, following items are required

Main boom 4,30 m
Stick 2,10 m
Stick 2,60 m
Stick 3,30 m
Storage racks for backhoe attachment

Optional

Hydraulic lines AHS* for main boom 4,30 m
Hydraulic lines AHS* for stick 2,10 m
Hydraulic lines AHS* for stick 2,60 m
Hydraulic lines AHS* for stick 3,30 m
Hydraulic lines rotary drive for main boom 4,30 m
Hydraulic lines rotary drive for stick 2,10 m
Hydraulic lines rotary drive for stick 2,60 m
Hydraulic lines rotary drive for stick 3,30 m
Backhoe bucket – as required

* AHS = hydraulic control for hydraulic accessory

Digging Envelope Main Boom pinned in upper (in lower) bearing

		1	2	3
Stick lengths	m	2,10	2,60	3,30
Max. digging depth	m	4,30 (5,75)	4,80 (6,25)	5,50 (6,95)
Max. reach at ground level	m	11,50 (10,90)	12,00 (11,40)	12,70 (12,05)
Max. dump height	m	9,25 (7,30)	9,60 (7,50)	10,15 (7,80)
Max. teeth height	m	13,10 (10,85)	13,50 (11,10)	14,00 (11,40)

Digging Forces

with Quick Change Adapter

		1	2	3
Digging force ISO	kN	211	187	161
	t	21,5	19,1	16,4
Breakout force ISO	kN	206	206	206
	t	21,0	21,0	21,0

without Quick Change Adapter

Digging force ISO	kN	224	197	168
	t	22,8	20,1	17,1
Breakout force ISO	kN	236	236	236
	t	24,1	24,1	24,1

Max. breakout force with ripper bucket without quick change adapter

300 kN (30,6 t)

Operating Weight and Ground Pressure

Operating weight includes basic machine with main boom 4,30 m, quick change adapter 66 and backhoe bucket 1,25 m³.

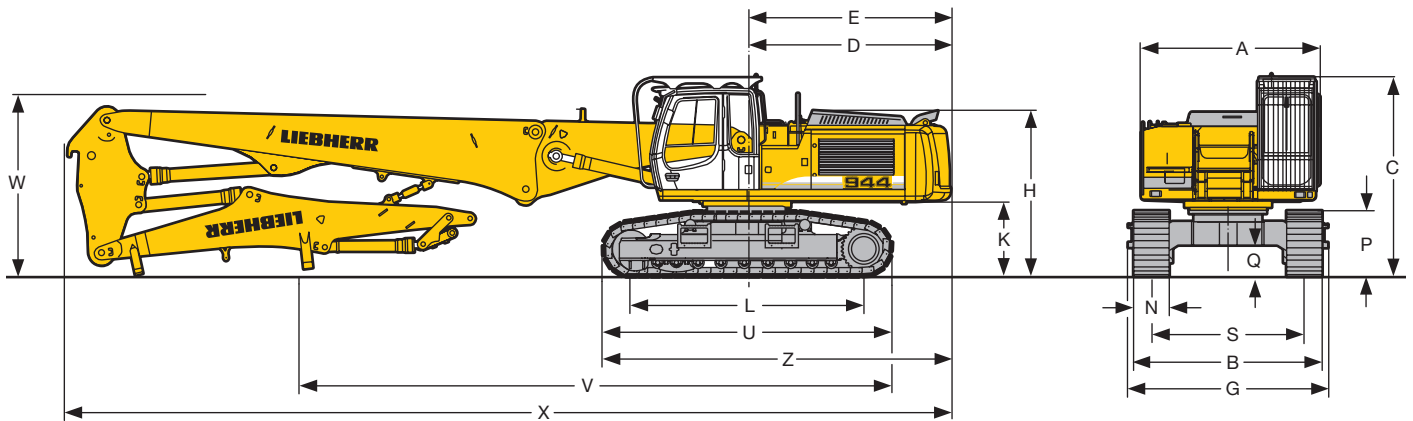
Undercarriage		HD-SL	S-HD	V	VH-HD
Pad width	mm	600	600	600	600
Weight	kg	44900	48400	51400	55100
Ground pressure	kg/cm ²	0,87	0,85	0,90	0,98

Buckets

		without Quick Change Adapter						with Quick Change Adapter					
Cutting width	mm	1200	1350	1500	1650	1650	1800	1050	1200	1350	1500	1650	1650
Capacity ISO 7451	m ³	1,25	1,50	1,75	2,00	2,25	2,50	1,00	1,25	1,50	1,75	2,00	2,25
Max. possible material weight	HD-SL t/m ³	1,8	1,8	1,8	1,5	1,2	–	1,8	1,8	1,8	1,5	1,2	–
	S-HD t/m ³	1,8	1,8	1,8	1,8	1,8	1,5	1,8	1,8	1,8	1,8	1,8	1,5
	V/VH-HD t/m ³	1,8	1,8	1,8	1,8	1,8	1,8	1,8	1,8	1,8	1,8	1,8	1,8
Weight of STD bucket with Liebherr teeth Z 20	kg	–	1460	1540	1670	1780	1850	–	1330	1410	1490	1620	1730
Weight of HD bucket with Liebherr teeth Z 20 ¹⁾	kg	1450	1560	1630	1790	1900	–	1300	1390	1500	1570	1730	–
Max. stick length for machine stability per ISO 10567:													
HD-SL-Undercarriage	m	3,30	2,60	2,10	2,10	2,10	–	3,30	2,60	2,10	2,10	2,10	–
S-HD-Undercarriage	m	3,30	3,30	3,30	2,60	2,10	2,10	3,30	3,30	3,30	2,60	2,10	2,10
V-Undercarriage	m	3,30	3,30	3,30	3,30	2,60	2,10	3,30	3,30	3,30	3,30	2,60	2,10
VH-HD-Undercarriage	m	3,30	3,30	3,30	3,30	3,30	2,60	3,30	3,30	3,30	3,30	3,30	2,60

¹⁾ For applications over surface class 6, according to VOB, part C, DIN 18300

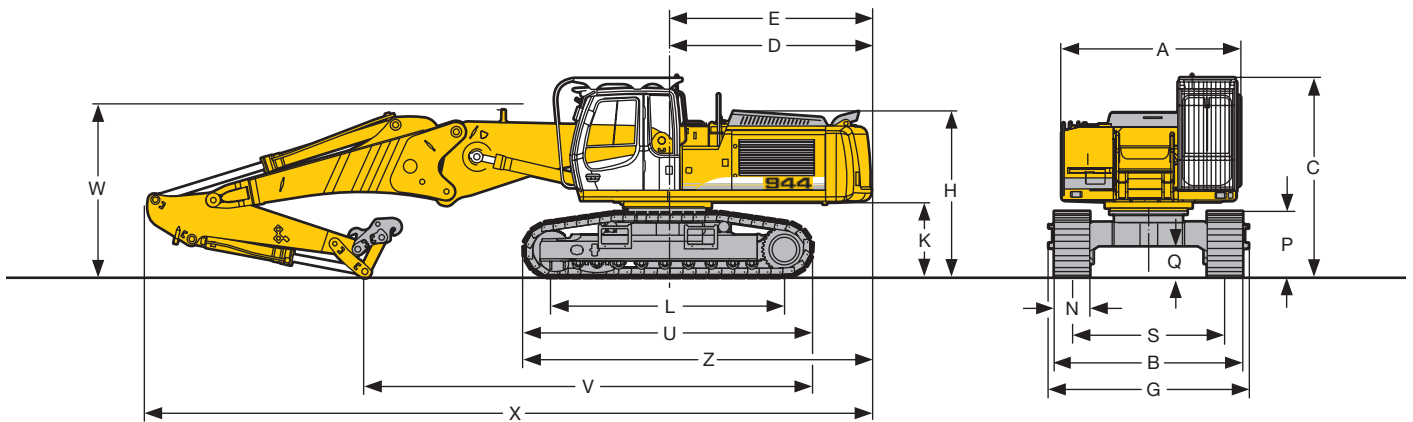
Dimensions



	HD-SL	mm	S-HD	mm	V	mm	VH-HD	mm
A		3060		3060		3060		3060
C		3395		3448		3505		3508
D		3471		3471		3471		3471
E		3471		3471		3471		3471
H		2830		2885		2940		2943
K		1245		1295		1355		1358
L		4000		4400		4400		4365
P		1120		1170		1195		1250
Q		537		540		733		405
U		4915		5378		5378		5345
S		2600		2900		2400-2900		2380-3330
N	500	600	750	500	600	750	500	600
B	3200	3200	3350	3536	3536	3650	3000-3500	3000-3500
G	3395	3395	3395	3730	3730	3730	3296-3796	3296-3796
Z		5925		6150		6150		6130

Demolition Boom 9,30 m								
	HD-SL	mm	S-HD	mm	V	mm	VH-HD	mm
V		-		12200		12200		12200
W		-		3150		3150		3150
X		-		17100		17100		17100

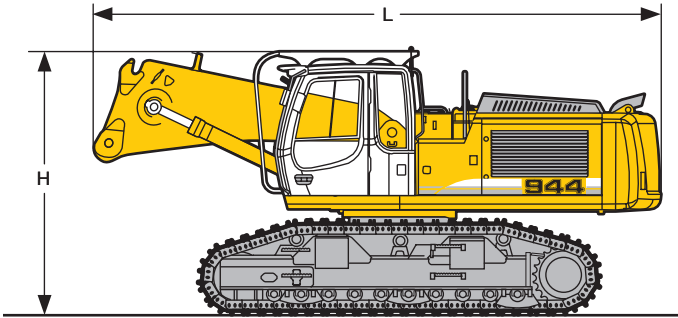
Demolition Boom 7,30 m								
	HD-SL	mm	S-HD	mm	V	mm	VH-HD	mm
V		10100		10300		10300		10300
W		3100		3100		3100		3100
X		15150		15150		15150		15150



	HD-SL	mm	S-HD	mm	V	mm	VH-HD	mm
A		3060		3060		3060		3060
C		3395		3448		3505		3508
D		3471		3471		3471		3471
E		3471		3471		3471		3471
H		2830		2885		2940		2943
K		1245		1295		1355		1358
L		4000		4400		4400		4365
P		1120		1170		1195		1250
Q		537		540		733		405
U		4915		5378		5378		5345
S		2600		2900		2400-2900		2380-3330
N	500	600	750	500	600	750	500	600
B	3200	3200	3350	3536	3536	3650	3000-3500	3000-3500
G	3395	3395	3395	3730	3730	3730	3296-3796	3296-3796
Z		5925		6150		6150		6130

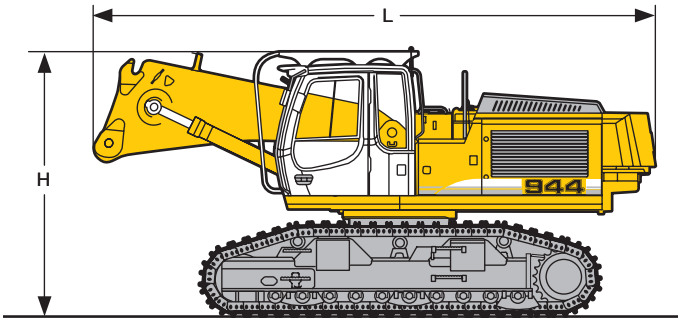
Stick Lengths	HD-SL				S-HD				V				VH-HD			
	mm	mm	mm	mm	mm	mm	mm	mm	mm	mm	mm	mm	mm	mm	mm	
V	2,10	8050			8300			8300			8300			8300		
	2,60	7650			7900			7900			7900			7900		
	3,30	7100			7350			7350			7350			7350		
W	2,10	2900			2950			2950			2950			2950		
	2,60	2950			3000			3000			3000			3000		
	3,30	3100			3150			3150			3150			3150		
X	2,10	12500			12500			12500			12500			12500		
	2,60	12400			12400			12400			12400			12400		
	3,30	12450			12450			12450			12450			12450		

Dimensions and Weights



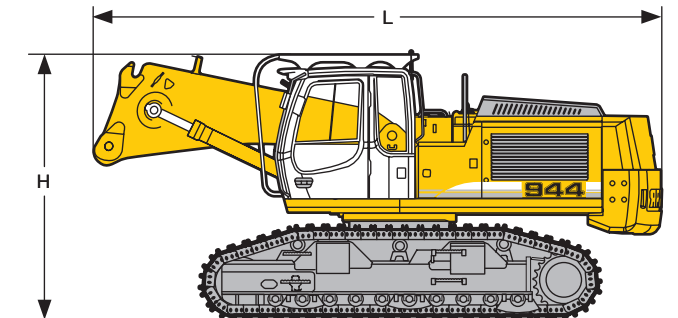
Basic machine with counterweight, fixed cab and integral protection grid

Undercarriage		HD-SL	S-HD	V	VH-HD
Pad width	mm	600	600	600	600
L	mm	7580	7580	7580	7580
H	mm	3395	3450	3505	3508
Weight	kg	37200	40700	43700	47400



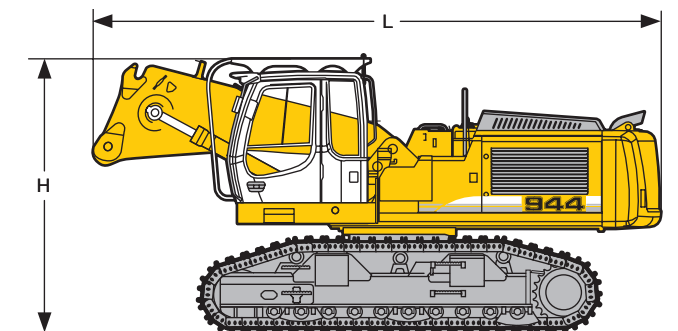
Basic machine without counterweight with fixed cab and integral protection grid

Undercarriage		HD-SL	S-HD	V	VH-HD
Pad width	mm	600	600	600	600
L	mm	7490	7490	7490	7490
H	mm	3395	3450	3505	3508
Weight	kg	29200	32700	35700	39400



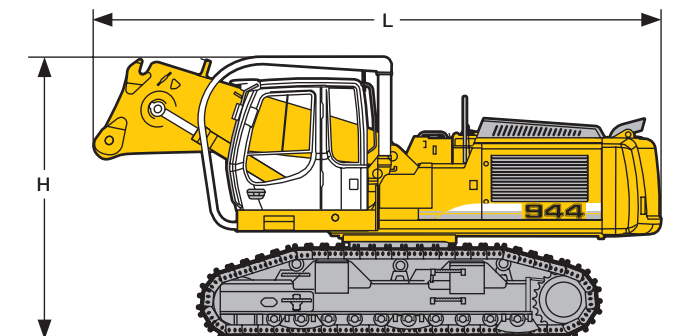
Basic machine with counterweight, fixed cab and integral protection grid

Undercarriage		HD-SL	S-HD	V	VH-HD
Pad width	mm	600	600	600	600
L	mm	7580	7580	7580	7580
H	mm	3395	3450	3505	3508
Weight	kg	37200	40700	43700	47400



Basic machine with cab tiltable 30° and integral protection grid

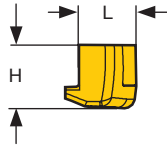
Undercarriage		HD-SL	S-HD	V	VH-HD
Pad width	mm	600	600	600	600
L	mm	7580	7580	7580	7580
H	mm	3520	3575	3630	3635
Weight	kg	38200	41700	44700	48400



Basic machine with cab tiltable 30° and integral protection grid on tilting device

Undercarriage		HD-SL	S-HD	V	VH-HD
Pad width	mm	600	600	600	600
L	mm	7580	7580	7580	7580
H	mm	3635	3690	3745	3750
Weight	kg	38550	42050	45050	48750

Dimensions and Weights



Counterweight removable

L Length	mm	970
H Height	mm	840
Width	mm	2980
Weight	kg	8000

Demolition Attachment with Support

Demolition Boom 9,30 m

L Length	mm	10150
H Height	mm	3150
V	mm	6255
Width	mm	2400
Weight without working tool	kg	10700

Demolition Boom 7,30 m

L Length	mm	8150
H Height	mm	3100
V	mm	5070
Width	mm	2400
Weight without working tool	kg	9700

Demolition Attachment with Storage Rack with Catwalks

Demolition Boom 9,30 m

L Length	mm	11270
H Height	mm	3240
V	mm	9060
Width	mm	2500
Weight without working tool	kg	12600

Demolition Boom 7,30 m

L Length	mm	9250
H Height	mm	3240
V	mm	7030
Width	mm	2500
Weight without working tool	kg	11500

Backhoe Attachment with Supports

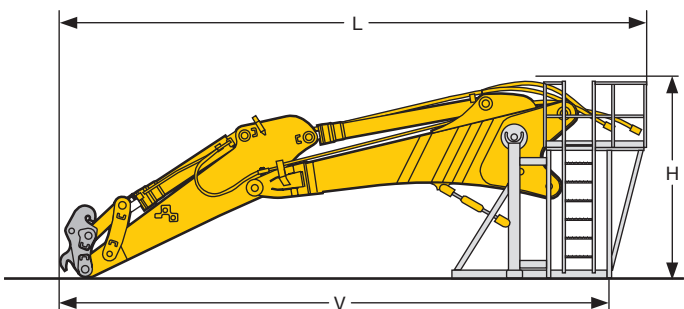
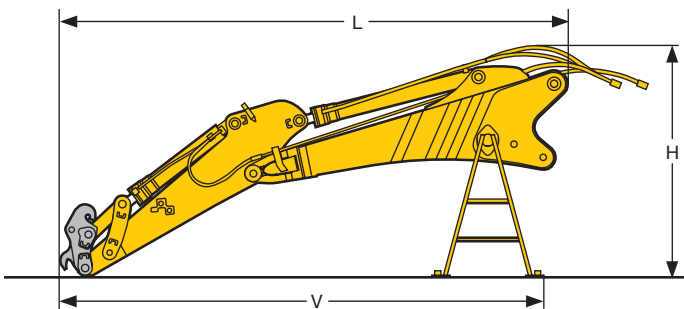
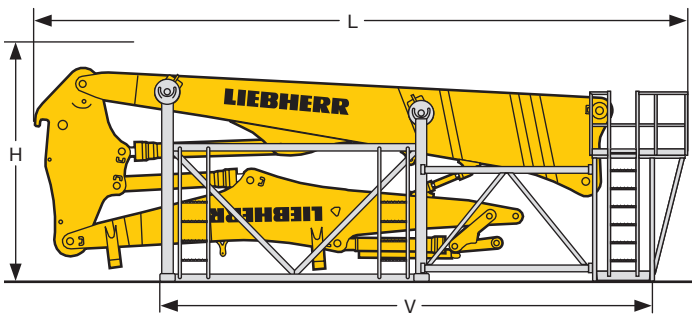
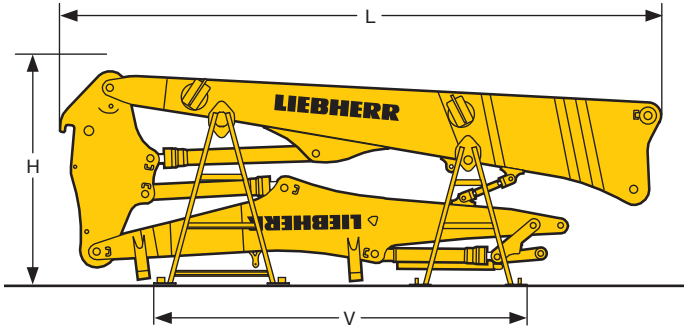
Main Boom 4,30 m

Stick lengths	m	2,10	2,60	3,30
L Length	mm	6500	7000	7700
H Height	mm	3100	3100	3100
V	mm	6100	6600	7300
Width	mm	2500	2500	2500
Weight with quick change adapter	kg	6600	6700	6900

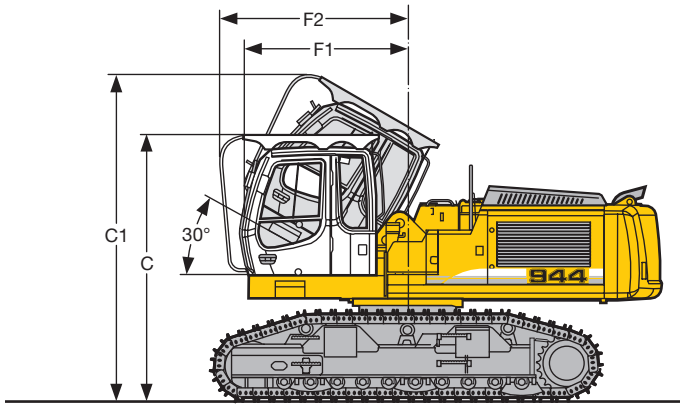
Backhoe Attachment with Storage Rack with Catwalks

Main Boom 4,30 m

Stick lengths	m	2,10	2,60	3,30
L Length	mm	7500	8000	8750
H Height	mm	2750	2750	2750
V	mm	7000	7500	8250
Width	mm	2500	2500	2500
Weight with quick change adapter	kg	7200	7300	7500

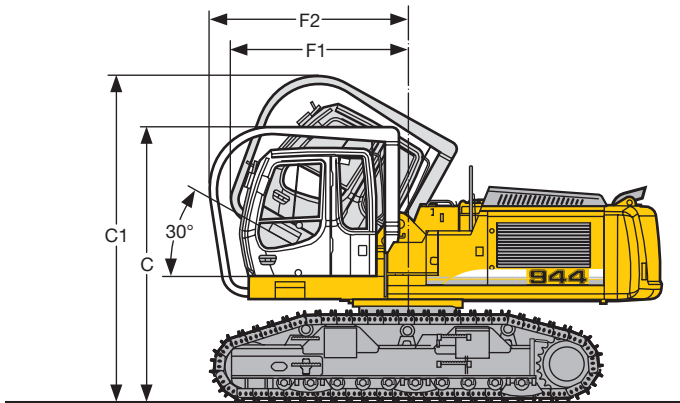


Choice of Cab Elevations



Version tiltable 30° with integral protection grid

Undercarriage		HD-SL	S-HD	V	VH-HD
C	mm	3520	3575	3630	3635
C1	mm	4355	4410	4465	4470
F1	mm	2220	2220	2220	2220
F2	mm	2550	2550	2550	2550



Version tiltable 30° with integral protection grid on tilting device

Undercarriage		HD-SL	S-HD	V	VH-HD
C	mm	3635	3690	3745	3750
C1	mm	4355	4390	4445	4450
F1	mm	2380	2380	2380	2380
F2	mm	2680	2680	2680	2680

Liebherr-France SAS

2, avenue Joseph Rey, B.P. 90287, F-68005 Colmar Cedex

☎ +33 389 21 30 30, Fax +33 389 21 37 93

www.liebherr.com, E-Mail: info.lfr@liebherr.com