

KATO

CR-80c

CITYRANGE CRAWLER CRANE

- Maximum rated lifting capacity : 8.0t (360°)
- Maximum boom length : 13.6m



KATO WORKS CO.,LTD.

Provisional SPECIFICATION

● Performance

Maximum rated lifting capacity	8.00 ton × 2.00 m (360° with outriggers) 3.10 ton × 5.00 m (360° with outriggers) 0.60 ton × 12.5 m (360° with outriggers) 4.60 ton × 2.00 m (360° without outriggers) 2.00 ton × 2.50 m (360° pick & carry)
Maximum line pull	2 ton
Maximum working radius	12.5 m
Maximum lifting height	13.8 m (Boom)
Boom length	4.6 m ~ 13.6 m
Travelling speed	2.3 km/h, 3.7 km/h
Gradeability (tan θ)	0.6
Winch system	Driven by axial plunger type hoisting motor with planetary gear reduction
Boom derricking angle	-5° ~ 75°
* Boom derricking time	17 sec. (-5° ~ 75°)
* Boom extending time	27 sec. (4.6 m ~ 13.6 m)
* Hoisting line speed (Winding up speed)	67 m/min. (at 4th layer)
Slewing speed	2.2 min ⁻¹

* Speed=Subject to no load

● Mass & dimension

Gross vehicle weight	9,800 kg
Overall length	5,900 mm
Overall width	2,230 mm
Overall height	2,600 mm
Swing radius	1,810 mm
Track shoe width	450 mm

● Engine

Maker	ISUZU
Model	A-4JB1
Type	4 cycle, water cooled, direct injection
Displacement	2,771 cc
Max. power	42.8 kW at 2200 min ⁻¹
Max. torque	190.2N·m at 1800 min ⁻¹
Emissions	In accordance with 97/ 68 EC
Fuel tank capacity	110 ℓ

● Safety devices

Safe load indicator	KATO ACS (Automatic Crane Stopper) with working range limit system
---------------------	--------------------------------------------------------------------

● Standard equipment

Steel outrigger pads (4 pads)

● Optional equipment

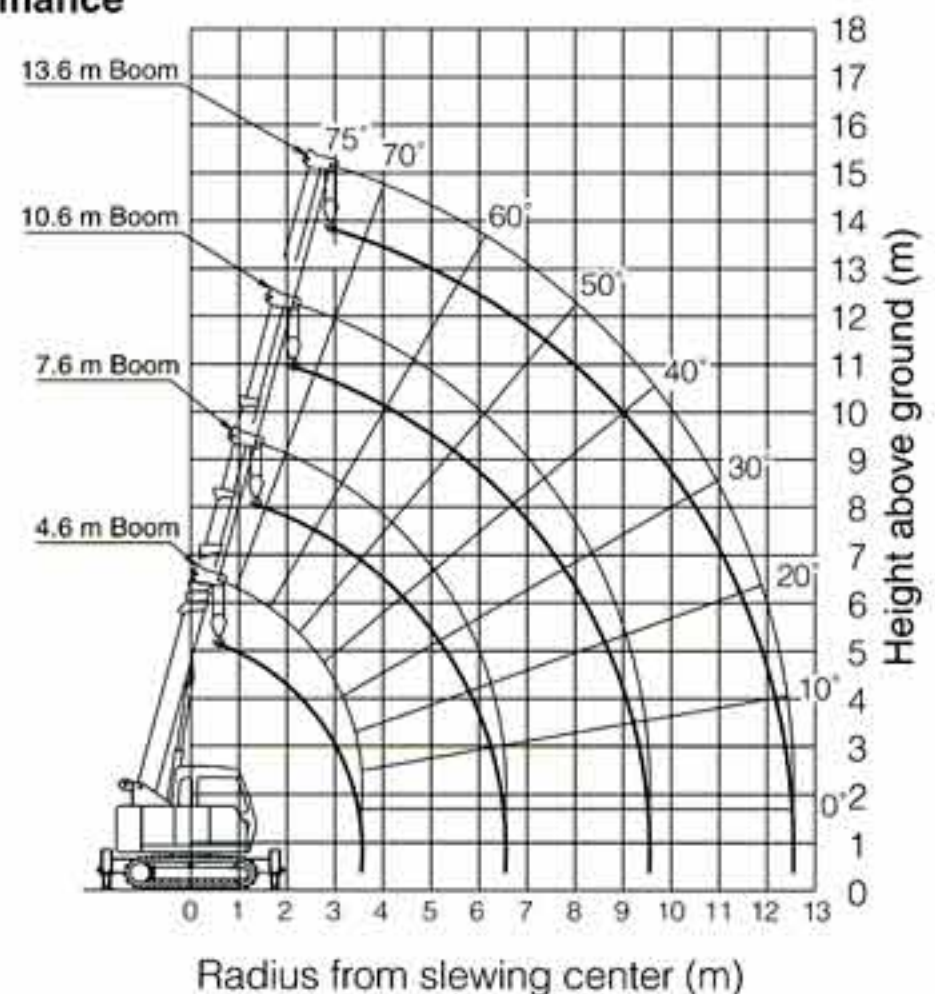
- Searcher Hook
- Cabin heater or air conditioning system
- Rubber pads for steel tracks
- Radio/Cassette
- Beacon

RATED LIFTING CAPACITY

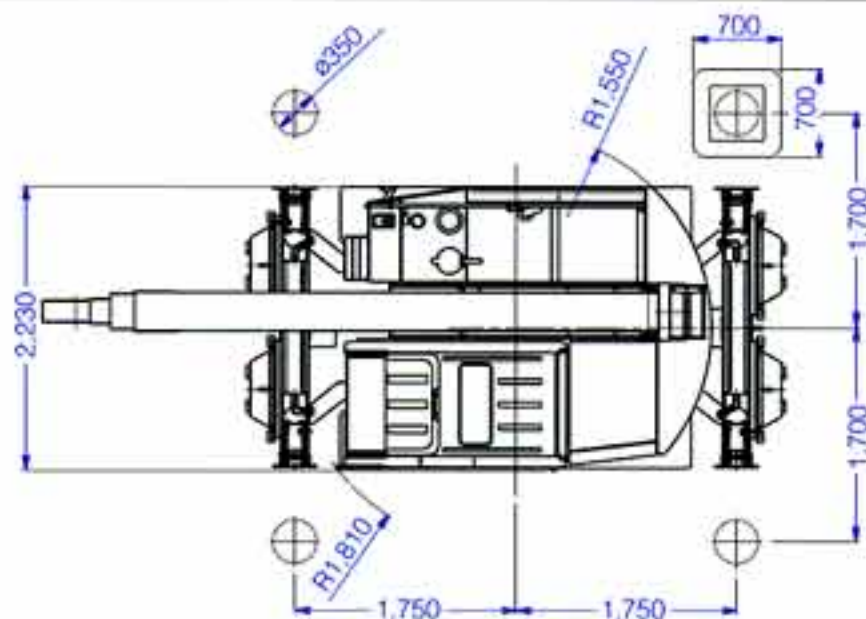
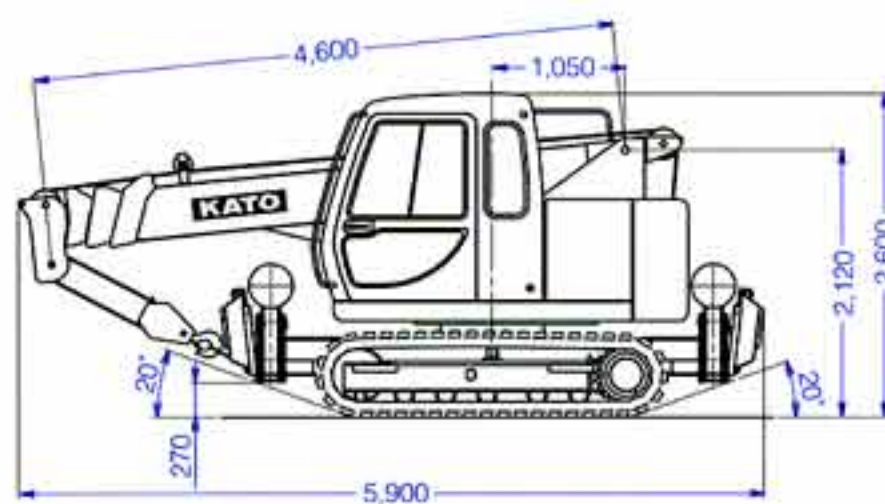
BOOM (360° with outriggers) Based on ISO4305 / BS1757:1986 / DIN15019-2				
Working Radius(m)	4.6m Boom	7.6m Boom	10.6m Boom	13.6m Boom
2.0	8.00	6.00		
2.5	6.80	5.50	4.90	
3.0	5.80	5.00	4.45	
3.5	5.00	4.60	4.00	
4.0		4.20	3.65	3.00
4.5		3.75	3.40	2.60
5.0		3.10	3.00	2.40
5.5		2.65	2.65	2.10
6.0		2.30	2.30	1.90
6.5		2.00	2.00	1.70
7.0			1.80	1.55
8.0			1.45	1.30
9.0			1.20	1.10
9.5			1.10	1.00
10				0.95
11				0.80
12				0.70
12.5				0.60
Standard Hook				8 ton
Hook mass				85 kg
Parts of line				4

WORKING RANGE

Performance



Note: 1. This diagram does not include deflection of Boom (and Searcher).
2. The outriggers are fully extended, and set on the standard outrigger pads.



*NOTE: KATO products and specifications are subject to improvements and changes without notice.



KATO WORKS CO., LTD.

9-37, Higashi-ohi 1-chome, Shinagawa-ku, Tokyo 140-0011, Japan.

Overseas Marketing Department

Telephone: +81(0)3 3458-1115

Facsimile : +81(0)3 3458-1151

<http://www.kato-works.co.jp/>

MCR80c 1-1
E350(Hp)Printed in Japan