



AMMANN-YANMAR SAS

25, rue de la Tambourine - F-52100 SAINT DIZIER

sales@ammann-yanmar.fr

www.ammann-yanmar.com



Version Studio - Printed in France - Materials and specifications are subject to change from the manufacturer without notice - Please contact your local Ammann-Yanmar dealer for further information.



2800
2400

4650
4800

Mini-excavator



YANMAR

ViO30

Operating weight : 3270/3140 kg

Arm digging force : 1800 kgf

Bucket digging force : 2800 kgf

Yanmar, inven of the ZTS m



Mini-excavator



tor and leader ini-excavators



Zero Tail Swing

*Yanmar, inventor
of the ZTS machine*

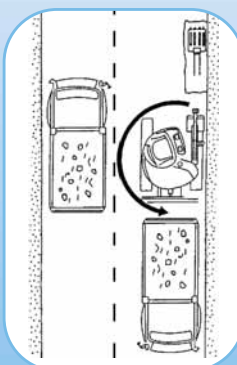
Design principles

- The ViO30 is a true Zero Tail Swing machine : neither the counterweight nor the front part of the upper frame exceed the width of the crawlers.
- Compact dimensions :
 - front swing radius with boom swing : 1550 mm ;
 - rear swing radius : 765 mm ;
 - overall width of the machine reduced to 1550 mm.



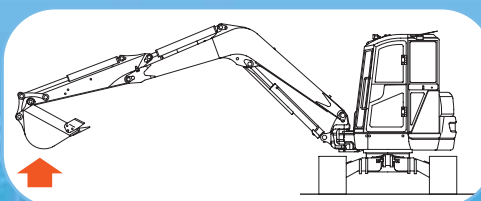
Advantages for the user

- Possibility to work in narrow areas, where a conventional machine is not able to work.
- Possibility to work along a wall.
- No dead angle in the upper structure : maximum superb all-round visibility.
- Safety and productivity for the operator.
- Operations are perfectly adapted to urban areas : machine does not obstruct all lanes of traffic.



Excellent weight distribution

- The use of a large counterweight, asymmetric crawlers (VICTAS® system) and high tensile equipment allows :
 - equalled stability, even higher than that of a conventional machine of the same weight ;
 - increased lifting capacity.



Mini-excavator



YANMAR

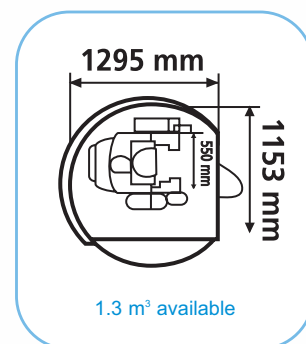
tor and leader ini-excavators



Comfort and safety

Spacious and ergonomic pilot system

- Perfect position of joysticks, armrests and travel levers with pedals.
- Comfortable, multi-adjustable seat : sliding seat, reclining backrest and weight.
- Access possible from both sides on the canopy version.
- Separate pedals for using the auxiliary power take-off line and swinging the boom. Sturdy covers which serve as footrests.



Cabin version

- Windscreen in 2 parts, stored overhead. Sliding side windows.
- Wide access to the operating position.
- Defroster, heater, ventilation, inside lighting, windscreen washer.

Maximum operator safety

- Canopy and cabin meet the requirements of the strictest safety standards :
 - ROPS (Roll Over Protective Structure) ;
 - FOPS 1 (Falling Object Protective Structure) ;
 - TOPS (Tip-Over Protective Structure).
- Large safety lever on access to control position : in the raised position it prevents all working movements and travel.
- Modern, user-friendly instrument panel, giving instant warning to the operator of any anomalies that may occur.

tor and leader
mini-excavators



Performance

Undercarriage



- The VICTAS® system (patented by Yanmar) consists in increasing the bearing surface by increasing the track path and using asymmetric crawlers :
 - increased lateral stability ;
 - increased lifting capacity ;
 - reduced ground damage ;
 - reduced track wear ;
 - quiet, vibration-free movement.
- The angular shape of the undercarriage makes it possible to eject earth and deposits of foreign matter.



Reliability and ac

A new-generation Yanmar "TNV" (Totally New Value) engine

- Improvement and modernisation of TNE series, which is already well-known for its "clean and quiet" profile :
 - reduced emissions for an even cleaner engine ;
 - noise reduction for an even quieter engine ;
 - improved starting (warms up faster).
- The new TNV series exceeds the most stringent emissions standards.

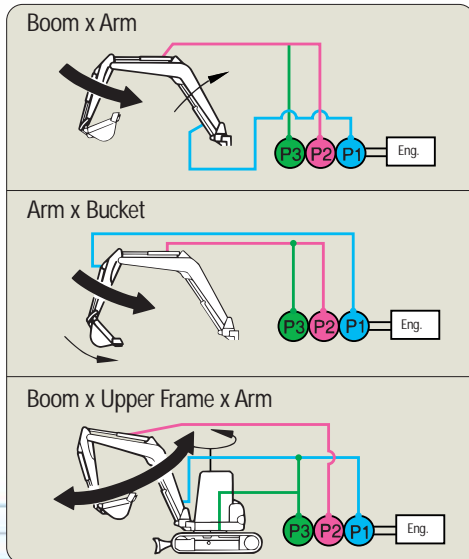


Integrated working lamp



“VIPPS®” hydraulic circuit (ViO Progressive 3 Pumps System)

- Hydraulic circuit fitted with a variable-flow dual piston pump, a gear pump and a multiple-combination directional control valve :
 - increased working speed due to the cumulative pump capacities ;
 - smooth, simultaneous operation of all functions, even when travelling.



Straight travelling

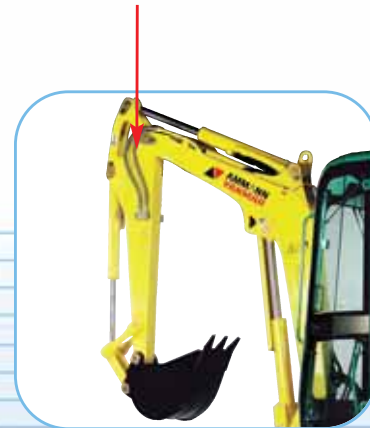
- The hydraulic system enables the operator to move the machine in a perfectly straight line, even when using other hydraulic circuits for other movements at the same time.
- It is possible to fill a trench while travelling alongside it without risk of veering off course.

Environmentally friendly

- Combination of a high-performance Yanmar engine and the VIPPS® hydraulic system :
 - increased productivity ;
 - reduced fuel consumption ;
 - less noise and pollution.

Auxiliary circuit (PTO)

- Dual or single-action auxiliary circuit to add various accessories : hydraulic rock breaker, swivelling ditch cleaning buckets, auger, etc.



Accessibility

Miscellaneous protective devices

- Integrated working lamp :
 - reduces risk of damage ;
 - provides better visibility at bottom of trenches.
- Hydraulic hoses pass inside the boom : perfect protection.
- Careful routing of hydraulic pipes and hoses on top of the boom.

Easy access to maintenance points

- Large rear bonnet allowing access to all engine components and hydraulic pumps.
- Daily check points gathered under the front bonnet (top up oil, water, diesel).
- Quick access to control valve by removing side panel.



TECHNICAL SPEC

Engine

Yanmar Diesel 3 cylinders 3TNV82A-XBVA
 Rated output (DIN 6270B) 18.4 kw/25 HP/2500 rpm
 Displacement 1331 cm³
 Max. torque 87.31 N.m./1500 rpm

Hydraulic circuit

System capacity 42 l
 Max. pressure 206 bar
 Variable flow dual piston pump 2 x 38.75 l/mn
 1 gear pump 1 x 21.25 l/mn

Performances

Travelling speed 2.7/4.6 km/h	Grade ability 30°
Swing speed 10 rpm	Shoe width 300 mm
Digging force (arm/bucket) 1800/2800 kgf	Ground clearance 320 mm
Boom swing (L/R) 50°/75°	Blade (width x height) 1550 x 370 mm
Ground pressure* 0.305/0.293 kg/cm ²	* cabin/canopy





Miscellaneous

Fuel tank 37 l
 Cooling system 3.5 l
 Transport dimensions (L x w x h) 4325 x 1550 x 2530 mm
 Noise level LwA (2000/14/CE & 2005/88/CE) 95 dBA



Optional equipment

Special paint	Safety device for loading
Bio Oil	Anti-theft device
Long dipper arm (+ 250 mm)	FOPS 2 protection bars on cab roof
Arm extension (+ 500 mm)	

PTO	Theoretical data	
	Pressure	2500 rpm
	0 ~ 206 bar	60 ~ 38.75 l/mn
	0 ~ 206 bar	60 ~ 38.75 l/mn

 • The output reduces as the pressure increases.

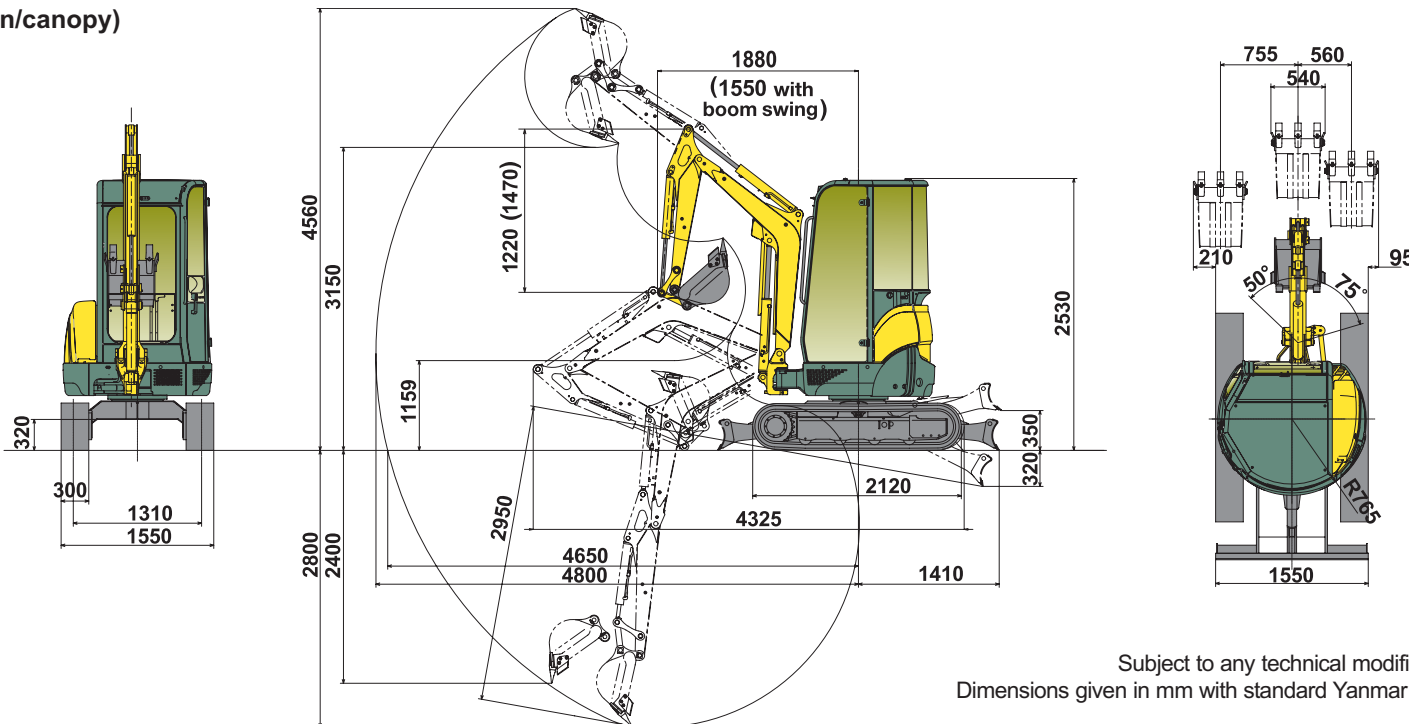


IFICATIONS



Operating weight +2% :

3270/3140 kg rubber crawlers
(cabin/canopy)



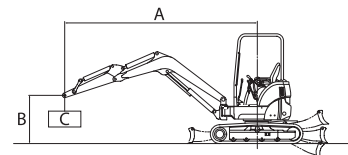
Subject to any technical modifications.
Dimensions given in mm with standard Yanmar bucket.

Blade on ground

A	Maxi		3.0 m		2.5 m		2.0 m		
B									
3.0	430	*680	*620	*620	-	-	-	-	C
2.5	360	*700	540	*700	*660	*660	-	-	
2.0	330	*700	540	*770	730	*880	-	-	
1.0	290	*700	490	*1010	680	*1300	870	*1750	
0	310	*750	490	*1140	630	*1450	910	*1960	
- 1.0	410	*750	480	*940	640	*1270	930	*1730	
- 1.5	520	*730	-	-	640	*960	940	*1310	

Machine with canopy,
rubber crawlers,
bucket of 86 kg (540 mm).

A : Overhang from rotational axis (m).
B : Height of hooking point (m).
C : Safe working load (kg).
(+ 4% with cab).



Blade above ground

A	Maxi		3.0 m		2.5 m		2.0 m		
B									
3.0	430	490	*620	*620	-	-	-	-	C
2.5	360	430	540	*660	*660	*660	-	-	
2.0	330	390	540	630	720	*830	-	-	
1.0	290	350	490	580	680	790	870	1060	
0	310	360	490	570	630	760	910	1090	
- 1.0	400	480	480	580	640	760	930	1130	
- 1.5	520	630	-	-	640	760	940	1090	



Tipping load,
rating over front



Tipping load,
rating over side 90°

The data contained in these tables represent the lifting capacity in accordance with ISO standard 10567.
They correspond to 75 % of the maximum static tipping load or 87 % of the hydraulic lifting power.
Data marked * are the hydraulic limits of the lifting power.