

KC-55713 (-)

25 tonnes truck cranes "Galichanin" with 6x4 wheel formula



KC-55713 (-) is product line of Galich Autocrane Plant one of the most needed in Russia — 25t lifting capacity. This cranes bearing trademark "Galichanin". Customers who already has one of this cranes always get another one. Custom version has: 9m jib, 21,4 meters boom length, 80 t/m lifting moment and are used in different part of Russia in various climate conditions

KC-55713-1 is one of the "Galichanin" best sellers. Well-shown design, good quality, acceptable price provide stable demand on this crane

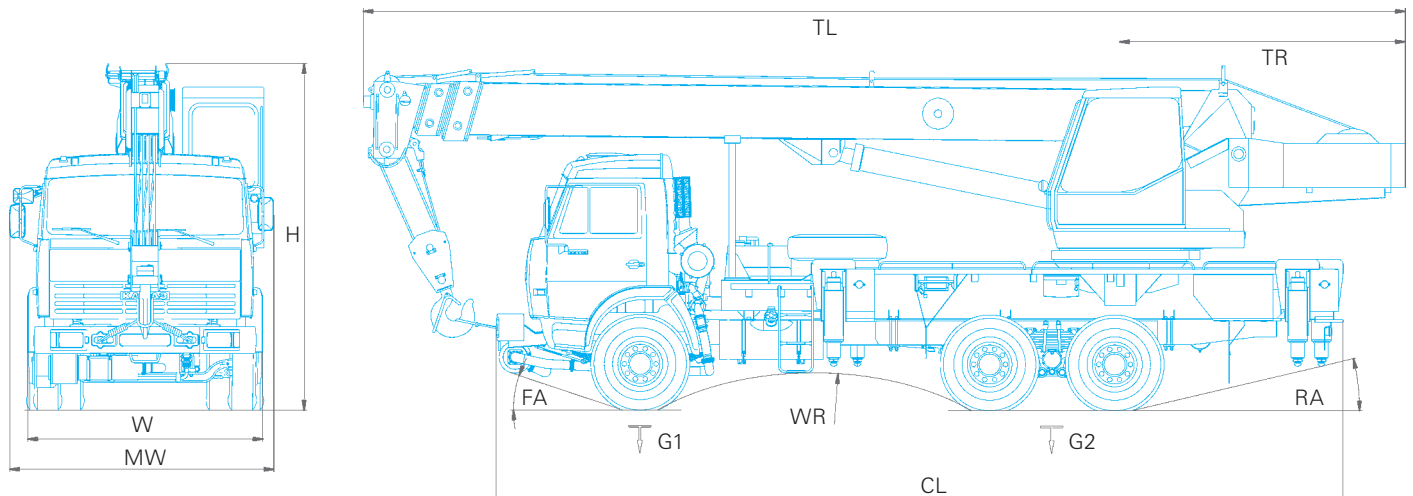


KC-55713-1



GALICH AUTOCRANE PLANT

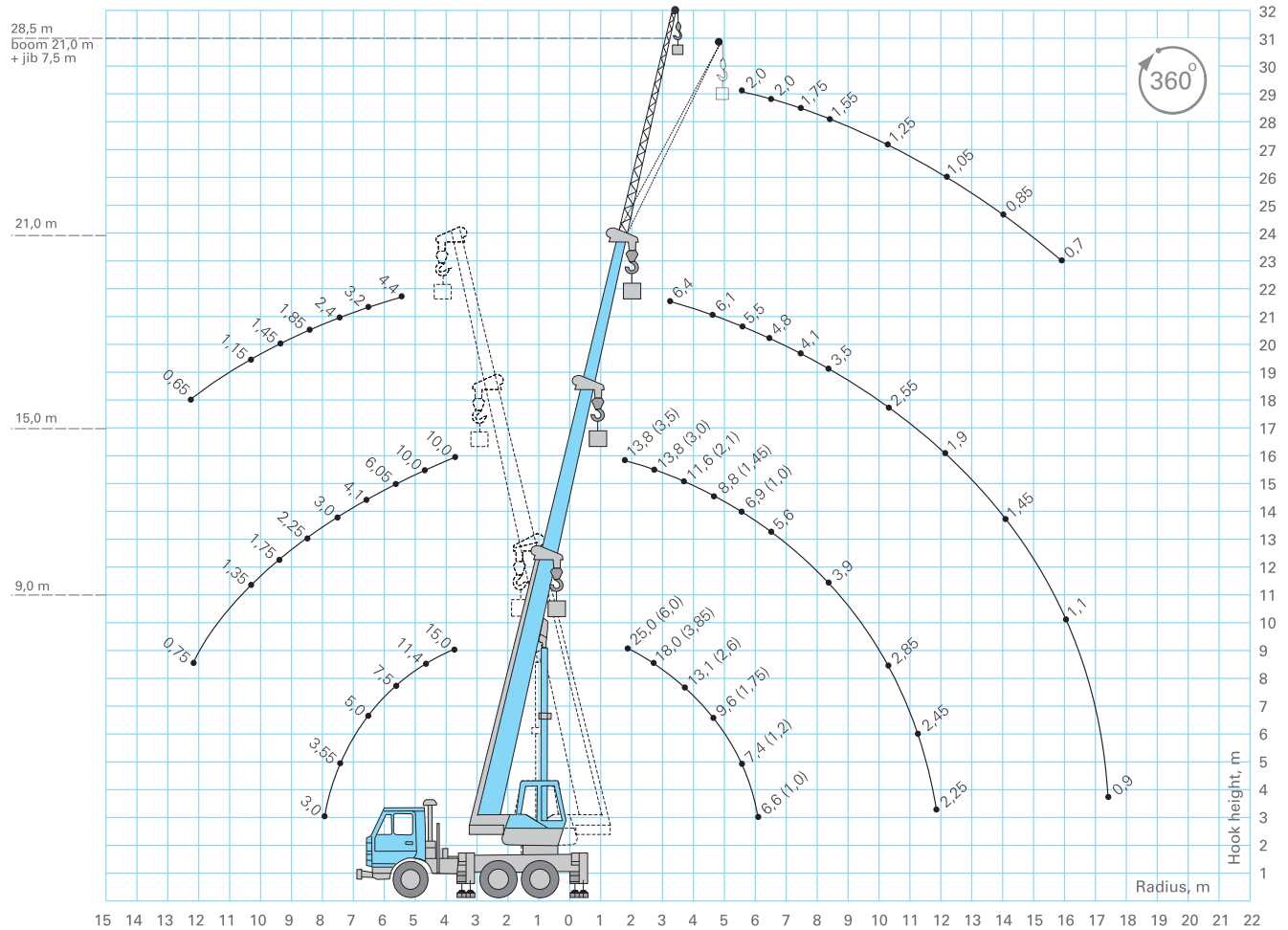
MODEL	KC-55713-1	KC-55713-6
Total Length (TL), mm	12000	12000
Chassis Length (CL), mm	8700	8750
Turn radius (TR), mm	3380	3380
Height (H), mm	3635	3790
Width (W), mm	2500	2500
Max Width (MW), mm	2860	2900
Front angle (FA)	25°	31°
Rear angle (RA)	15°	16°
Front axle weight (G1), t	5,4	6,7
Rear double axle weight (G2), t	15,6	17,05
Wheel Radius (WR), mm	3670	3200



WWW.GAKZ.RU



LIFTING CHART
OF KC-55713 (-) PRODUCT LINE



KC-55713 (-) CRANE LINE
MOUNTED ON KAMAZ-43253 | MAZ-5337

SUPPORTING BASIS
OF KC-55713 (-) PRODUCT LINE

Lifting capacity.....25t
Lifting moment.....80t/m
Boom length.....9,7–21,7m
Working radius.....3,2–18,0m
Jib length.....9m*

Max hook height:

- with 21.7m main boom.....21,9m
- with 21.7m main boom & 9m jib.....30m

Lifting and lowering speed.....5,0–96,0m/min
Slewing speed.....1,4 min⁻¹
Explotation temperature.....from -40 to +40°C

Chassis.....KamAZ-65115 | MAZ-6303
Wheel formula.....6x4
Engine.....KamAZ-740 | YAMZ-6562
Transportation speed.....60 km/h
Weight of crane in transport position.....21 | 23,75 t

* Jib can be mounted under 0° and 30° to main boom.
Weight of cranes in transport position with jib

